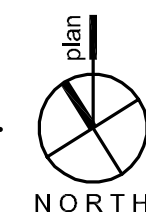
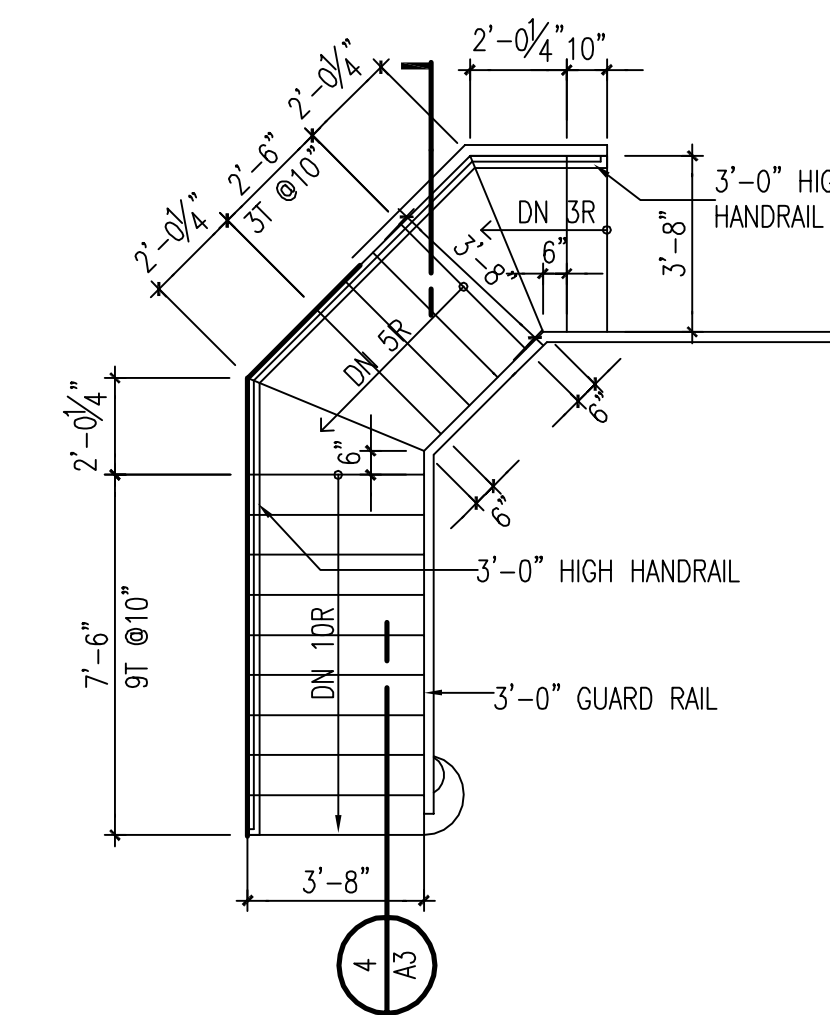


1 SECOND FLOOR PLAN
SCALE: 1/4"=1'-0"

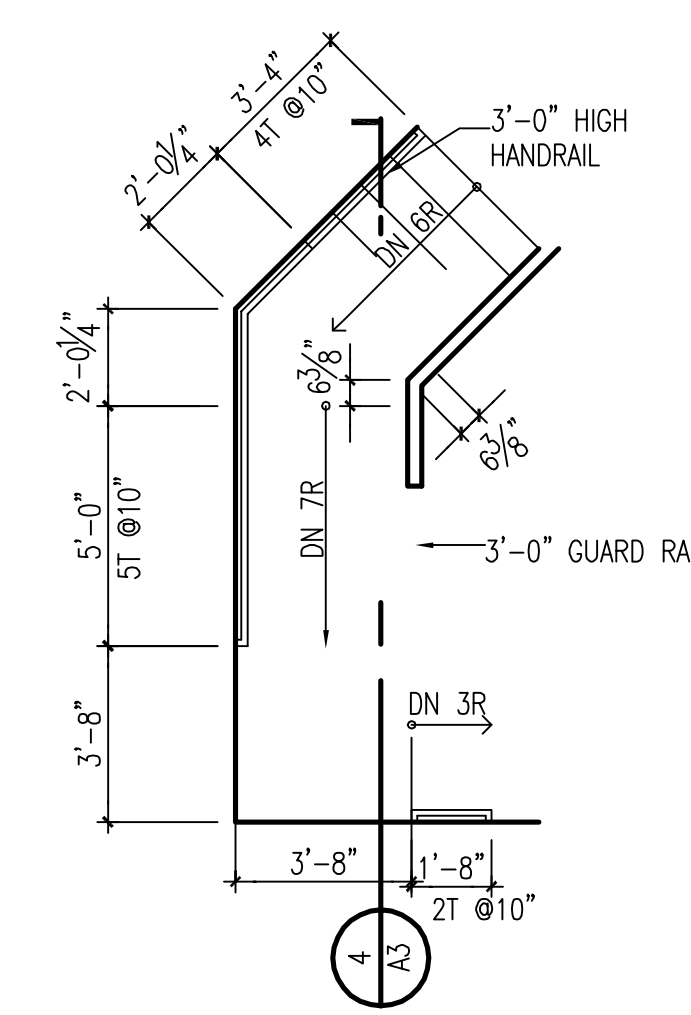


KEY NOTES

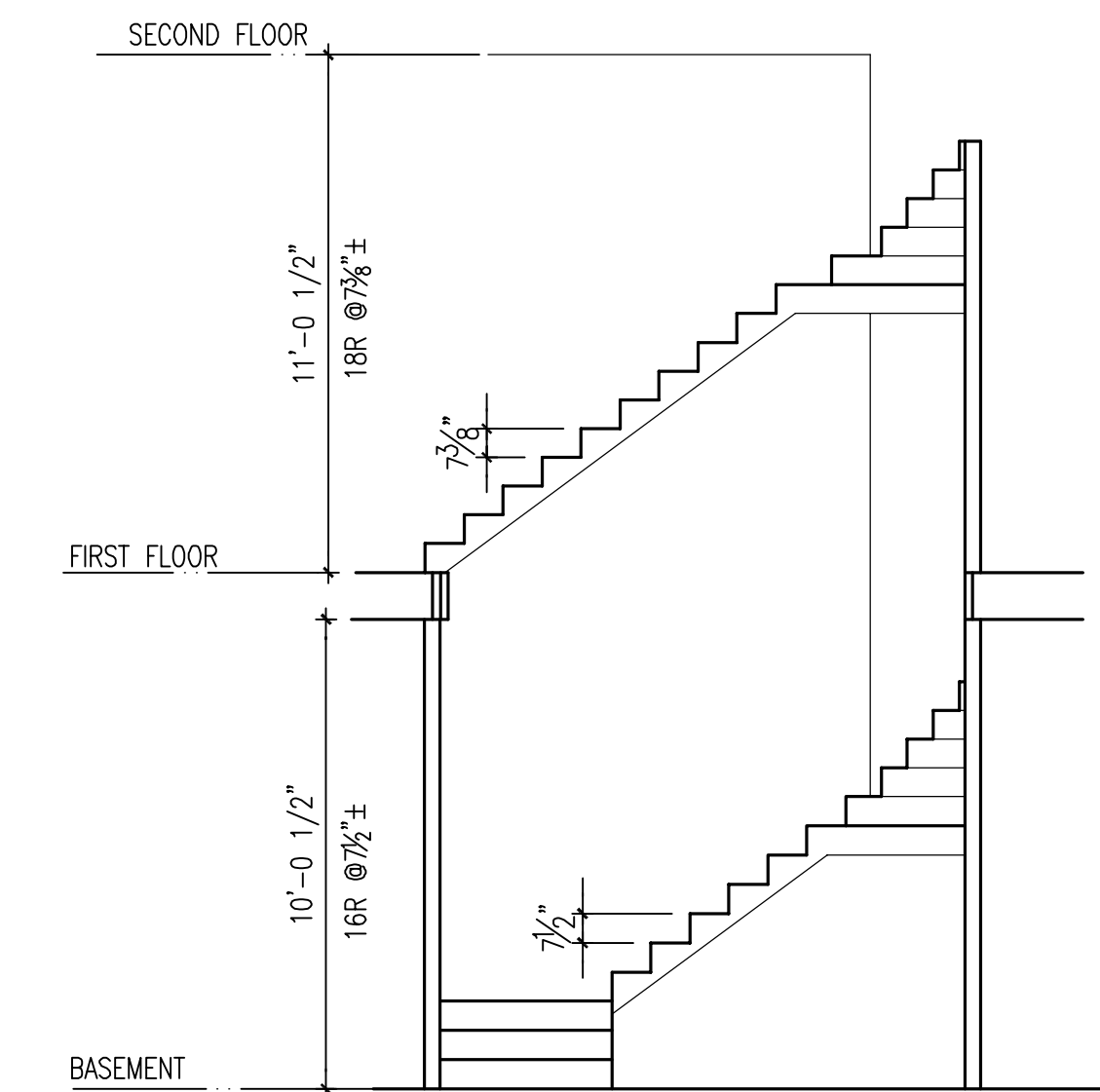
- 1 12" DEEP SHELVE AND CLOTHES ROD.
- 2 (6) 12" SHELVES.
- 3 PROVIDE FRAMING IN STORAGE ROOM FOR FUTURE ELEVATOR INSTALLATION.



2 STAIR PLAN
SCALE: 1/4"=1'-0" FIRST TO SECOND FLOOR



3 STAIR PLAN
SCALE: 1/4"=1'-0" BASEMENT TO FIRST FLOOR



4 STAIR SECTION
SCALE: 1/4"=1'-0"

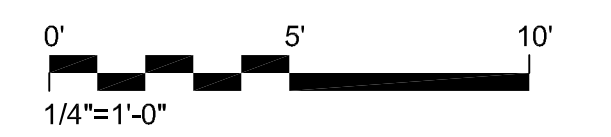
Residence

6600 Chesterfield Avenue
McLean, Virginia

NOVITSKE ARCHITECTS

201 North Fairfax Street • Suite 33
Alexandria VA 22314
703 535 7899 • 703 535 8840 fax

graphic scales



project: 23612
phase: Permit Set
date: 16 January 2017
revisions: 17 February 2017

**Second Floor Plan
& Stair Plans**