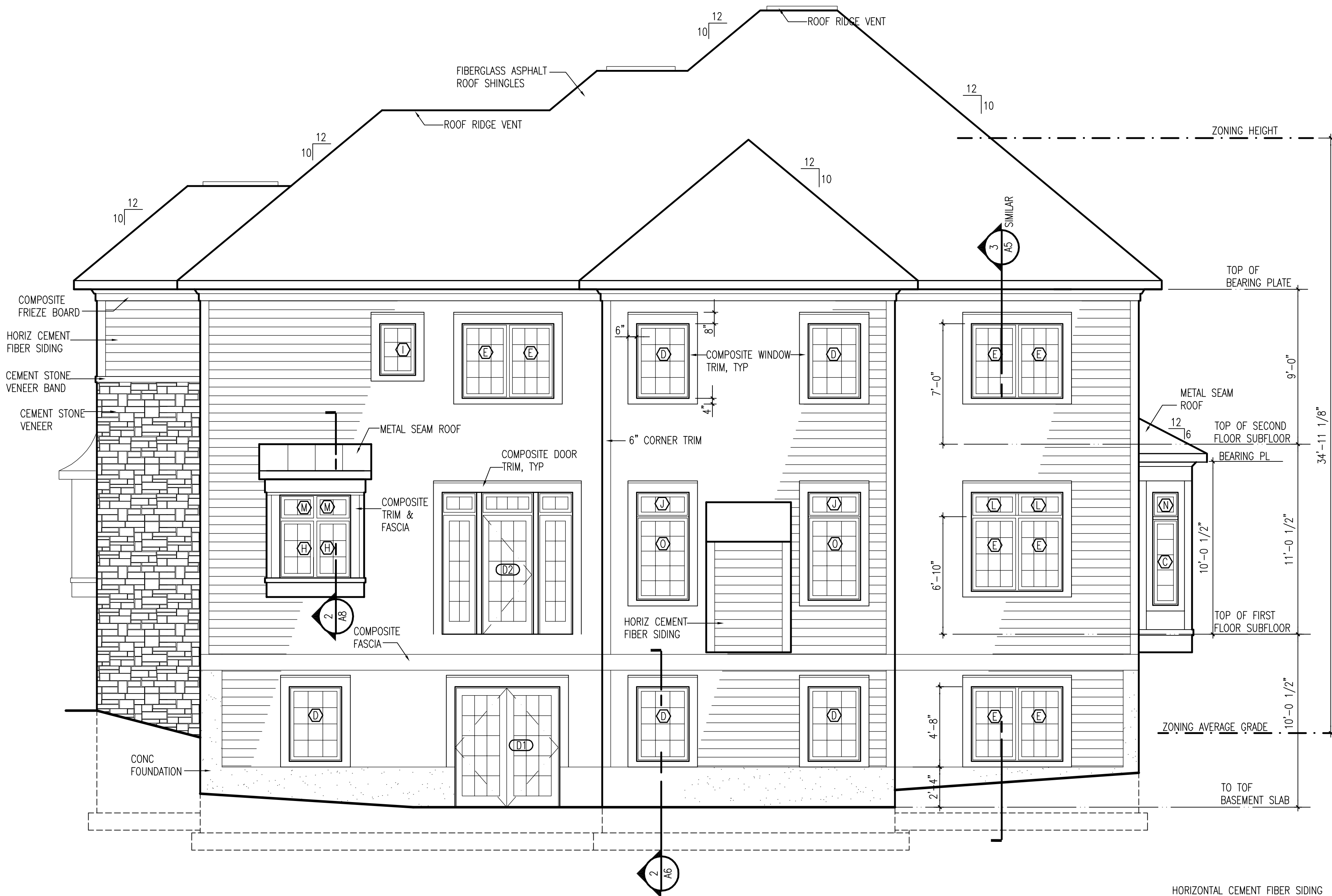


Residence

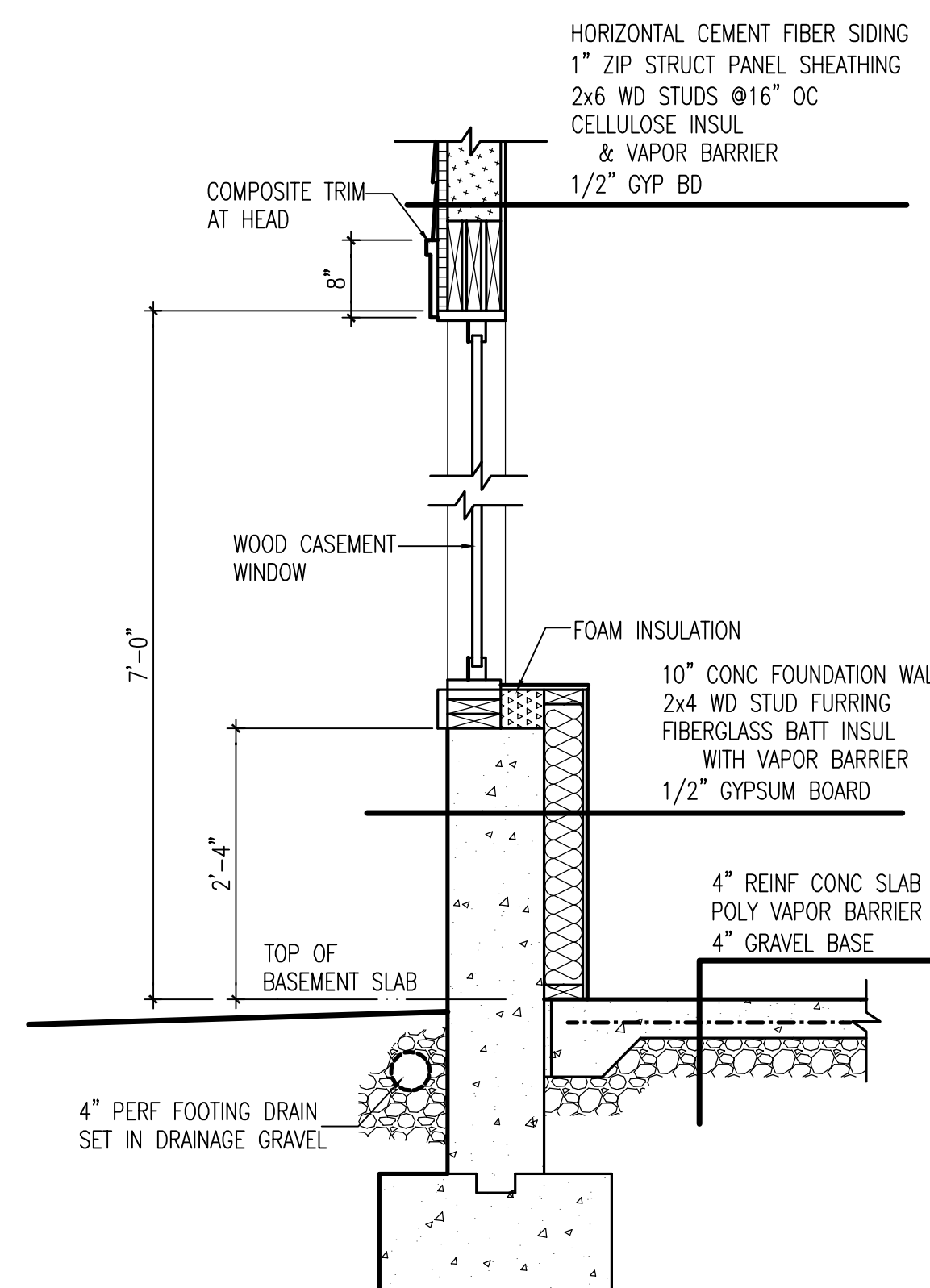
6600 Chesterfield Avenue  
McLean, Virginia

NOVITSKE ARCHITECTS

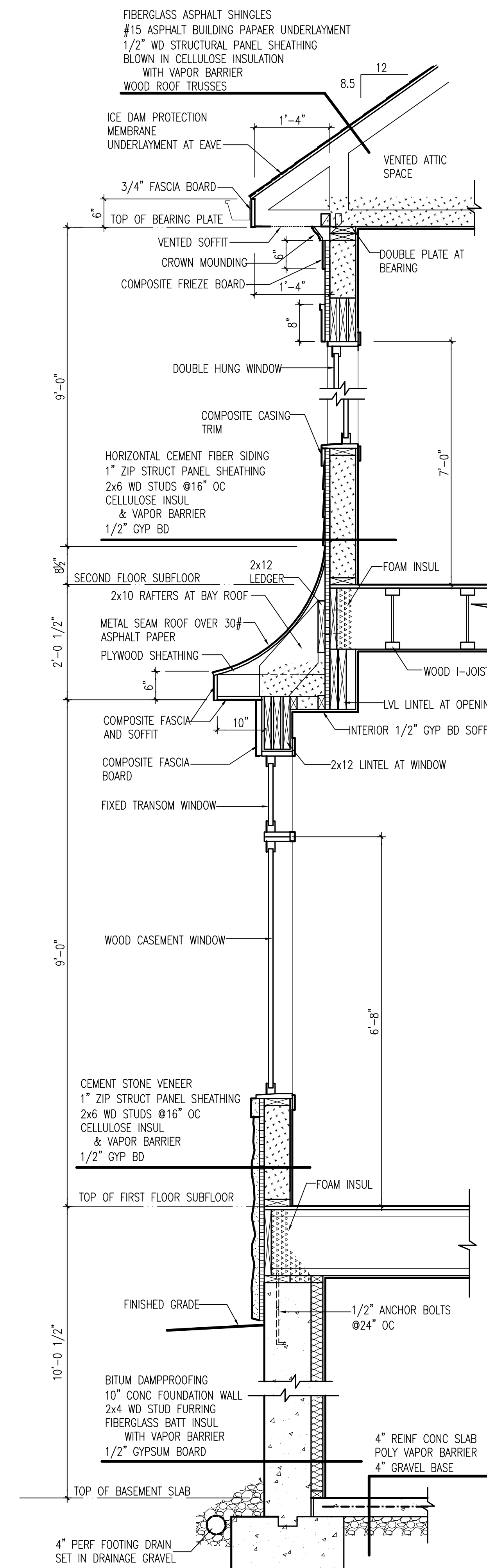
201 North Fairfax Street • Suite 33  
Alexandria VA 22314  
703 535 7899 • 703 535 8840 fax



**1 EAST ELEVATION**  
A6 SCALE: 1/4"=1'-0"

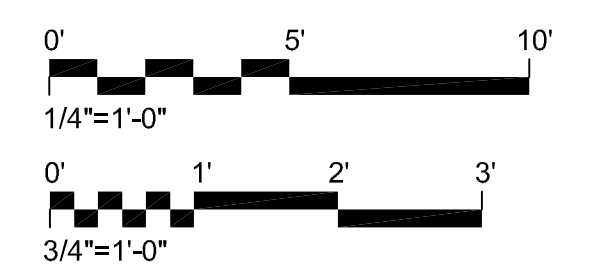


**2 WALL SECTION AT BASEMENT**  
A6 SCALE: 3/4"=1'-0"



**3 WALL SECTION AT BAY**  
A6 SCALE: 3/4"=1'-0"

graphic scales



project: 23612  
phase: Permit Set  
date: 16 January 2017  
revisions: 8 February 2017  
17 February 2017

Exterior Elevation  
& Wall Sections