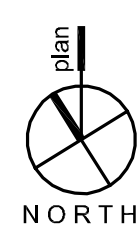
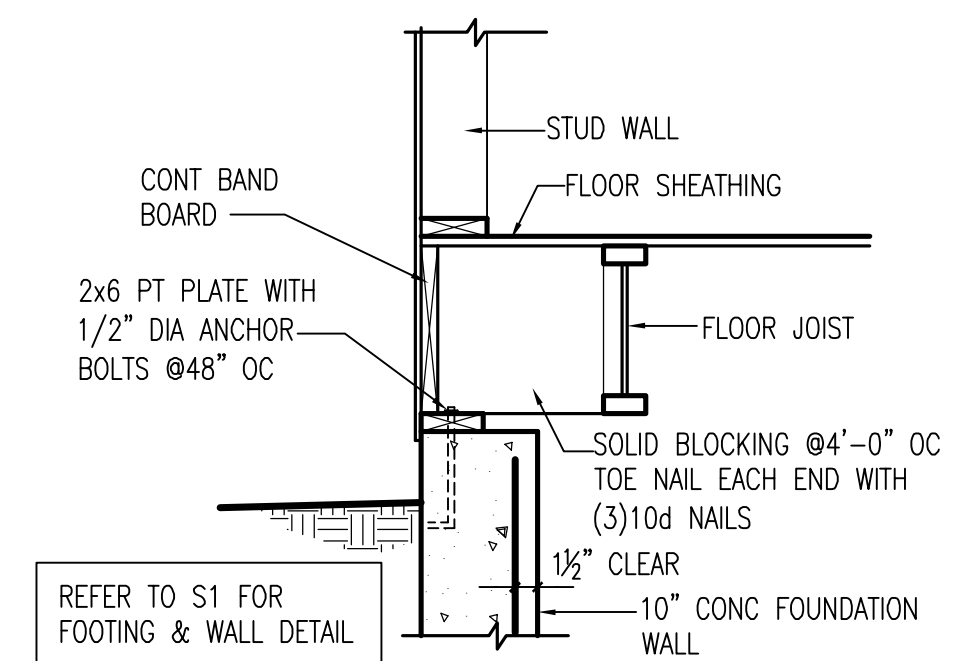


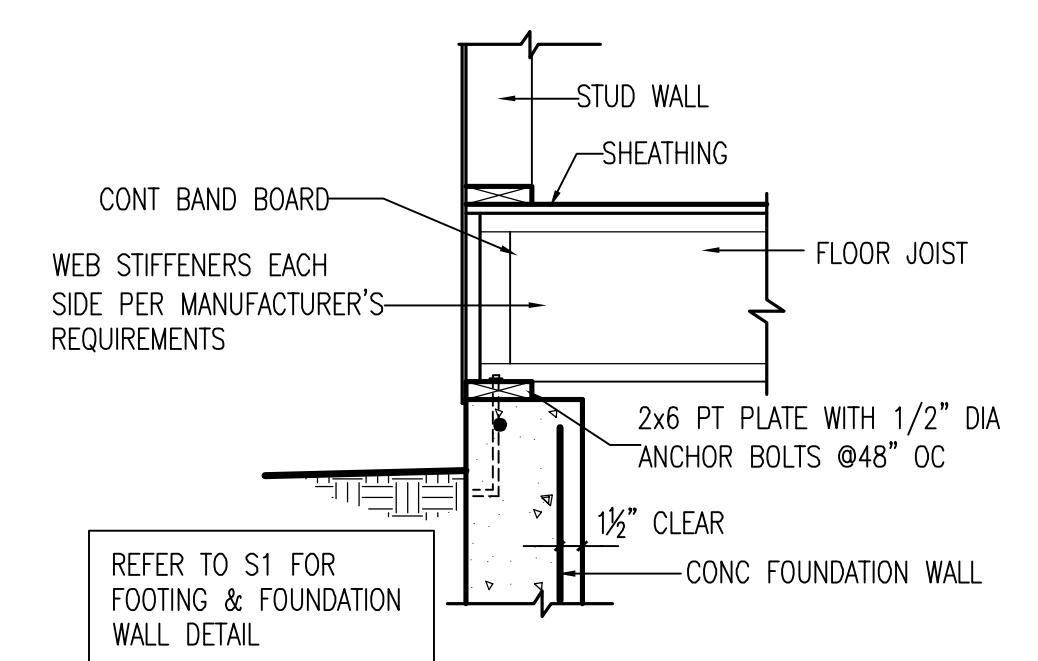
1 FIRST FLOOR FRAMING PLAN
SCALE: 1/4"=1'-0"



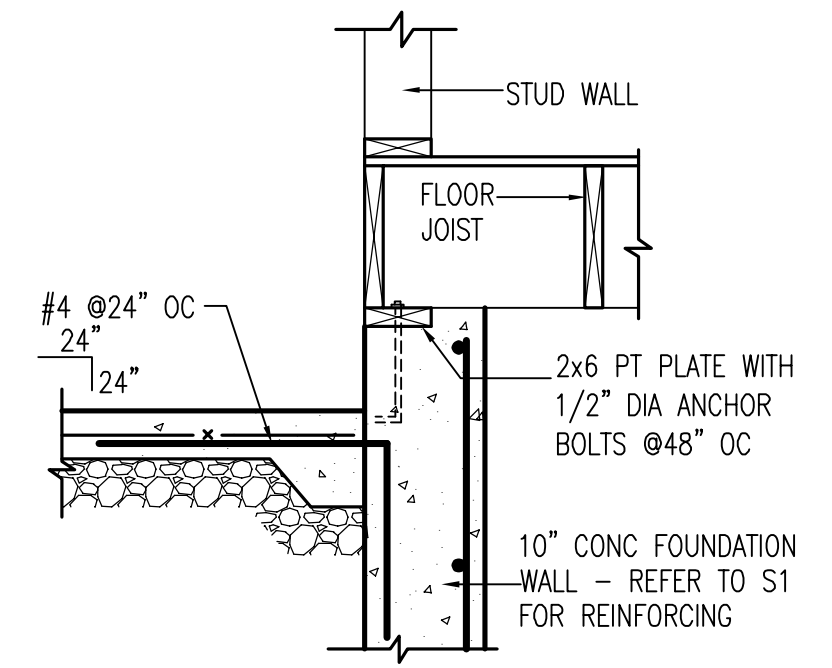
- ◆ 2x4 WOOD STUDS @16" OC
- ◆ 2x6 WOOD STUDS @16" OC



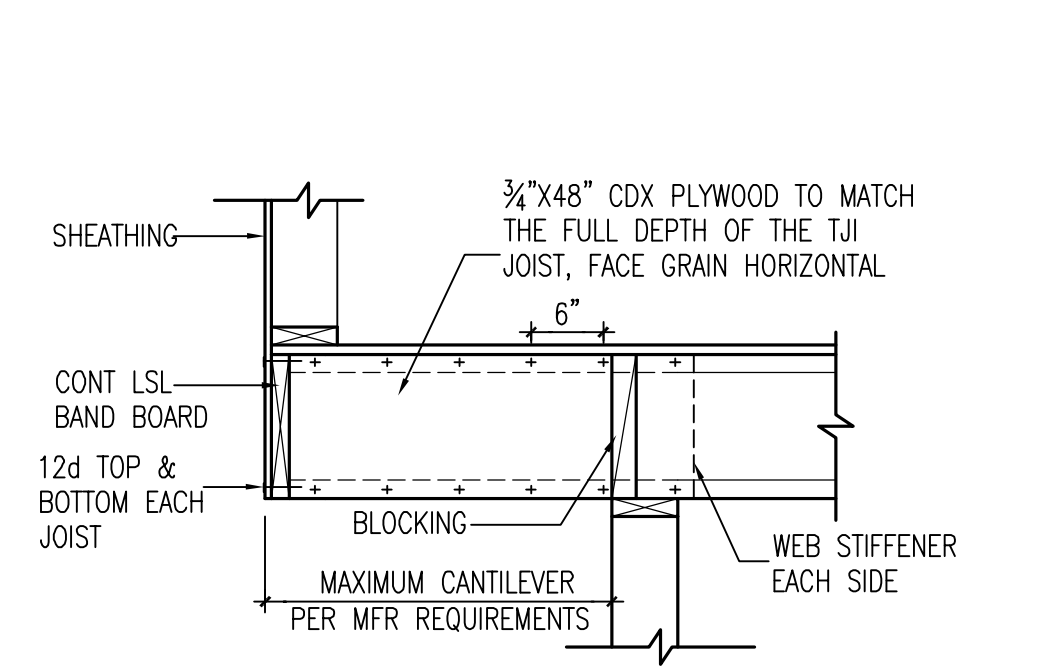
2 HEADER BEARING
SCALE: 3/4"=1'-0"



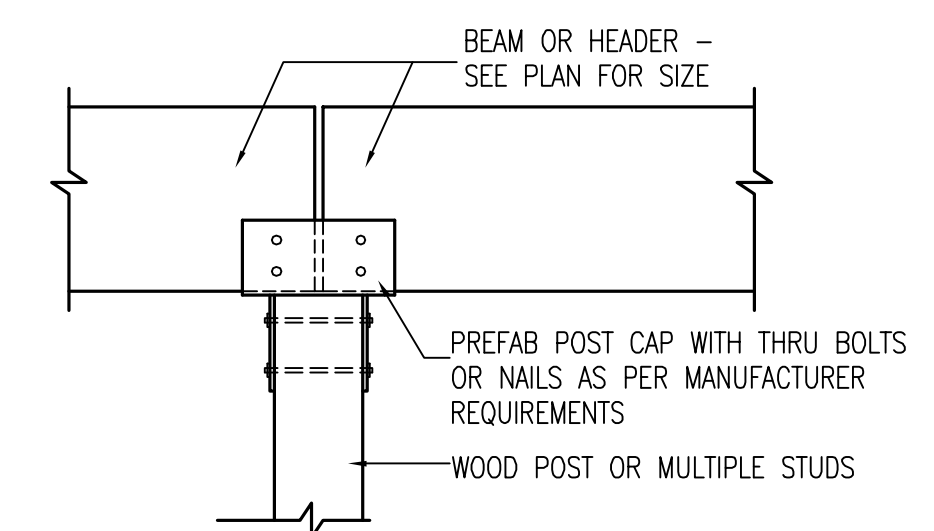
3 HEADER BEARING
SCALE: 3/4"=1'-0"



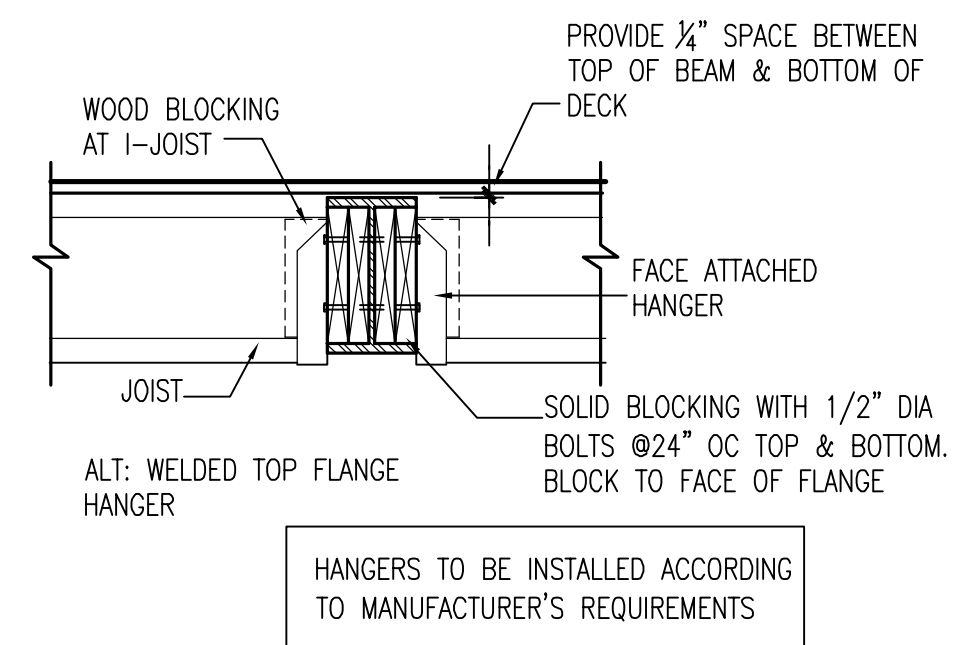
4 GARAGE SLAB EDGE
SCALE: 3/4"=1'-0"



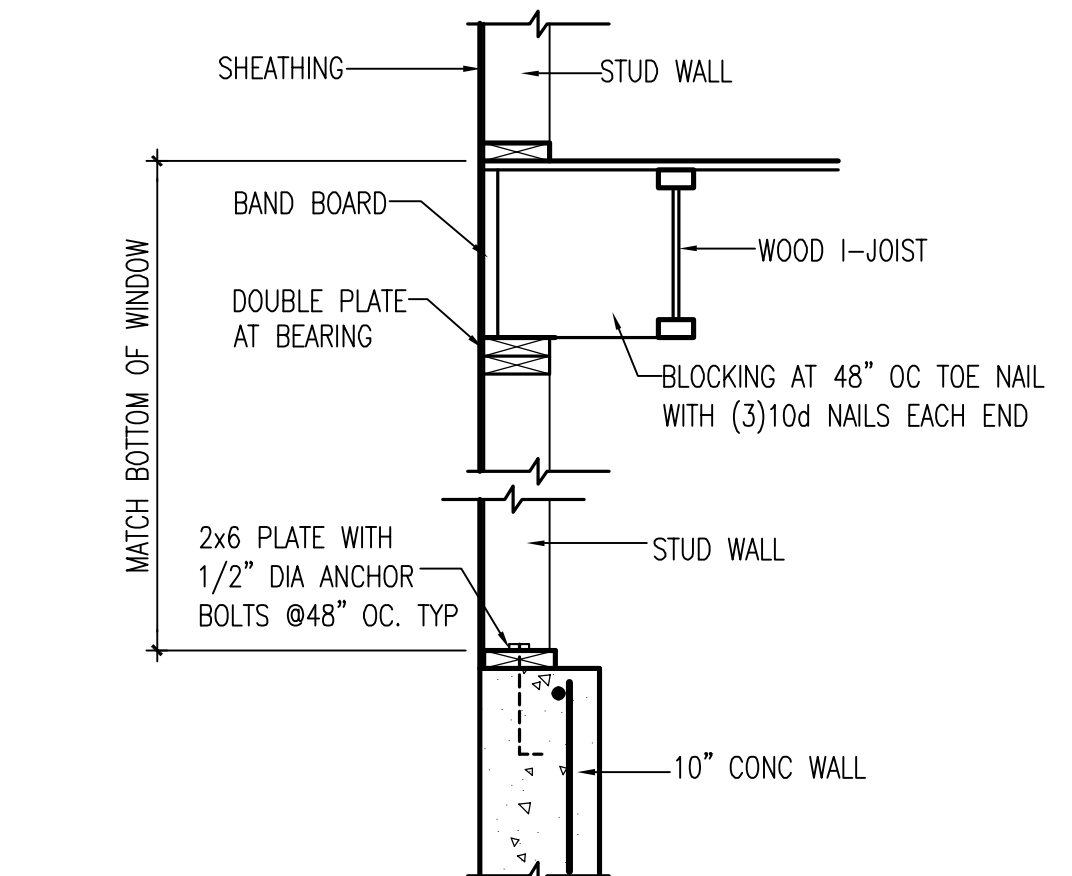
5 CENTILEVER DETAIL
SCALE: 3/4"=1'-0"



6 BEAM BEARING
SCALE: 1"=1'-0"



7 BEAM BEARING
SCALE: 1"=1'-0"



8 JOIST BEARING
SCALE: 3/4"=1'-0"

Residence

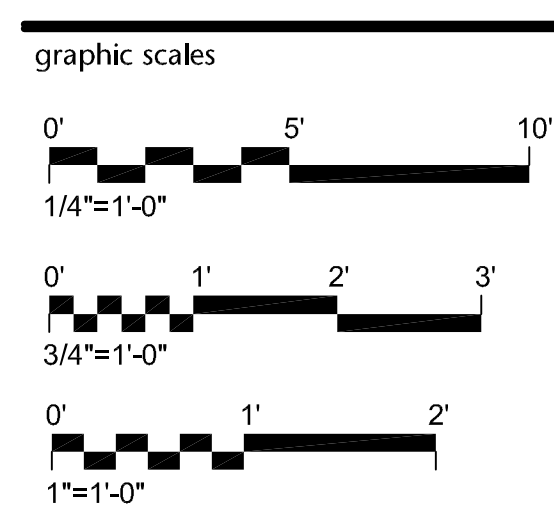
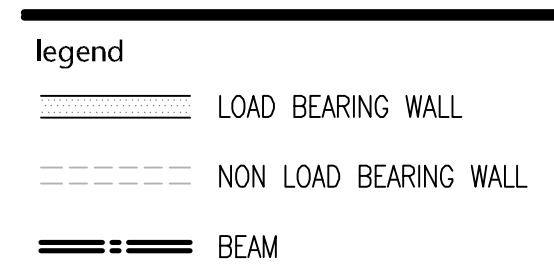
6600 Chesterfield Avenue
McLean, Virginia

NOVITSKE ARCHITECTS

201 North Fairfax Street • Suite 33
Alexandria VA 22314
703 535 7899 • 703 535 8840 fax

NADER ELHAJJ, P.E.

3603 McLean Avenue
Fairfax VA 22030
703 615 2451 • 703 583 9424 fax



project: 23612
phase: Permit Set
date: 16 January 2017
revisions:

First Floor Framing Plan & Details