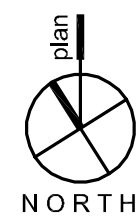
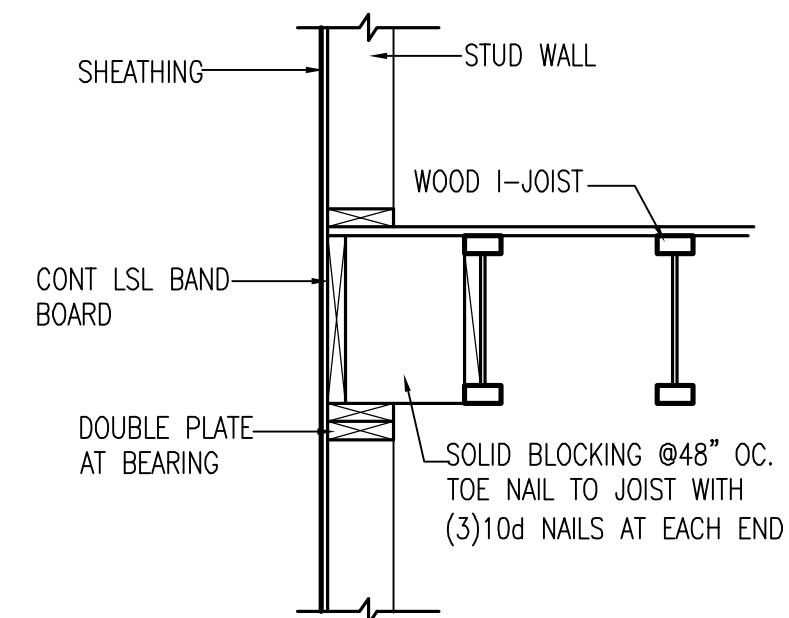


**1 SECOND FLOOR FRAMING PLAN**  
SCALE: 1/4"=1'-0"

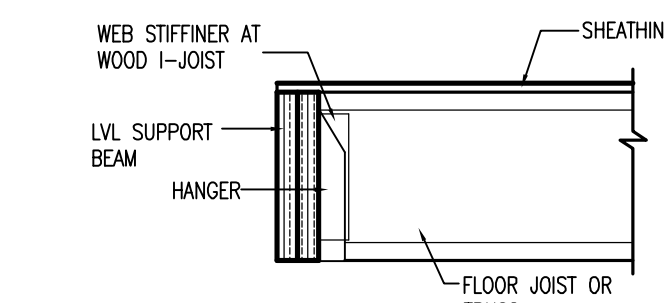


- 4 2x4 WOOD STUDS @16" OC
- 6 2x6 WOOD STUDS @16" OC

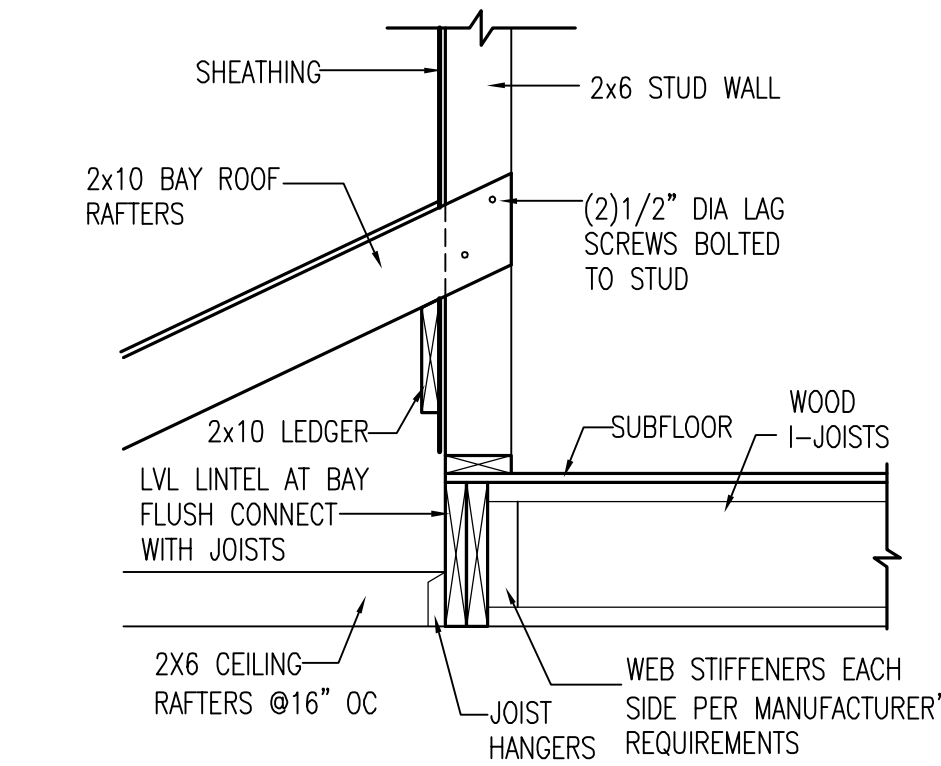
REFER TO S4 ROOF PLAN FOR GARAGE ROOF FRAMING



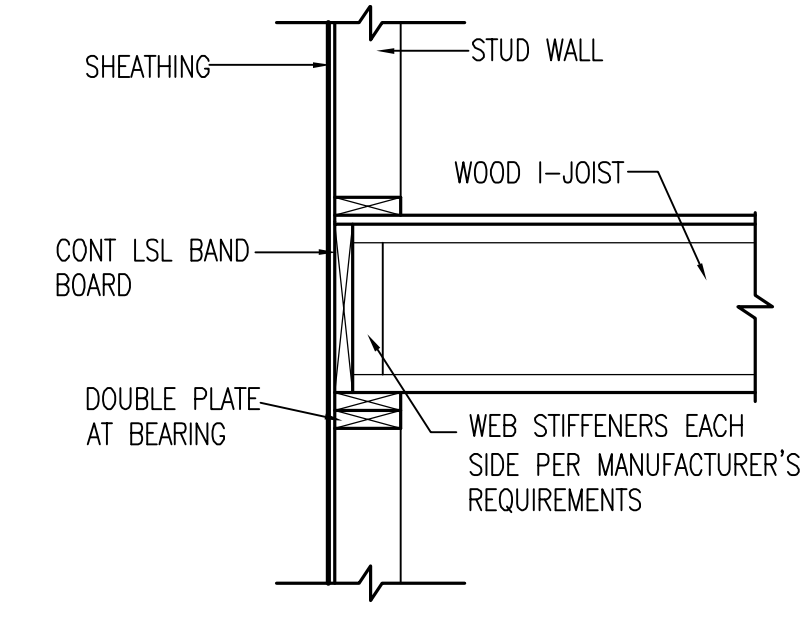
**2 HEADER BEARING**  
SCALE: 3/4"=1'-0"



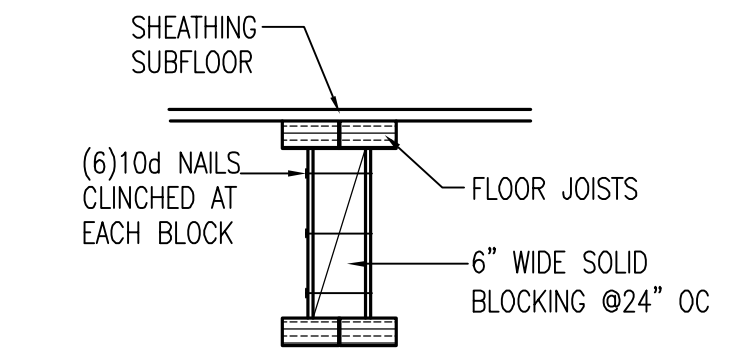
**4 JOIST BEARING**  
SCALE: 3/4"=1'-0"



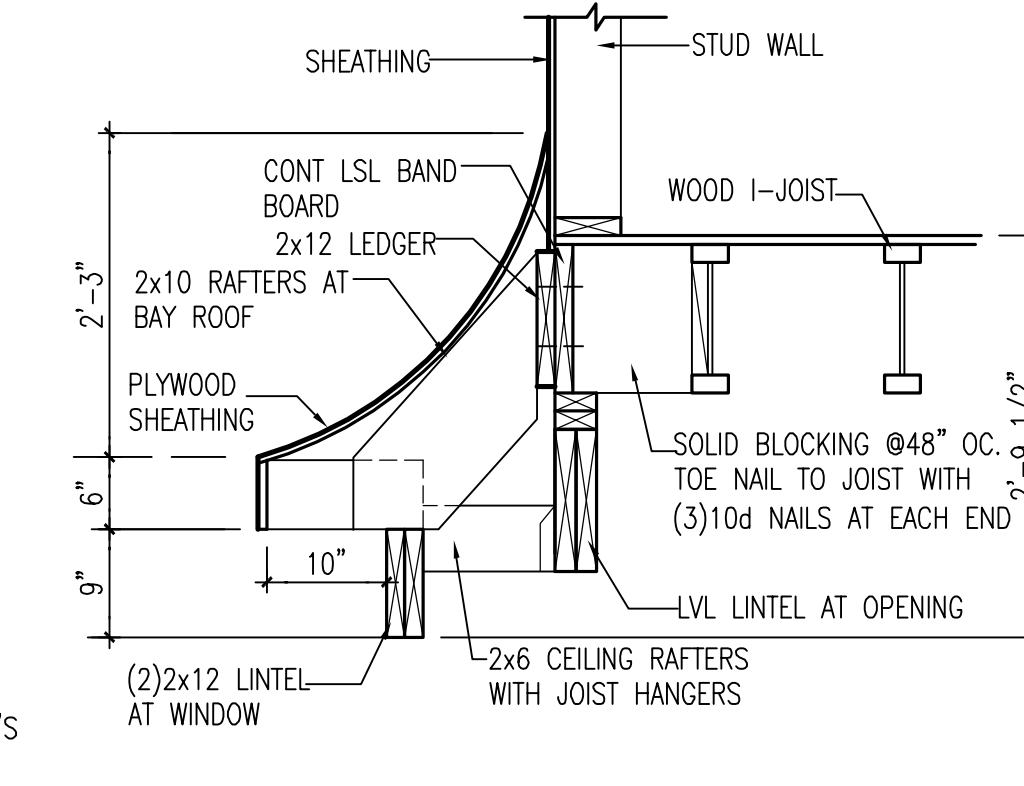
**6 BAY ROOF RAFTERS**  
SCALE: 3/4"=1'-0"



**3 JOIST BEARING**  
SCALE: 3/4"=1'-0"



**5 DOUBLE JOIST BEARING**  
SCALE: 1"=1'-0"



**7 BAY ROOF RAFTERS**  
SCALE: 3/4"=1'-0"

Residence

6600 Chesterfield Avenue  
McLean, Virginia

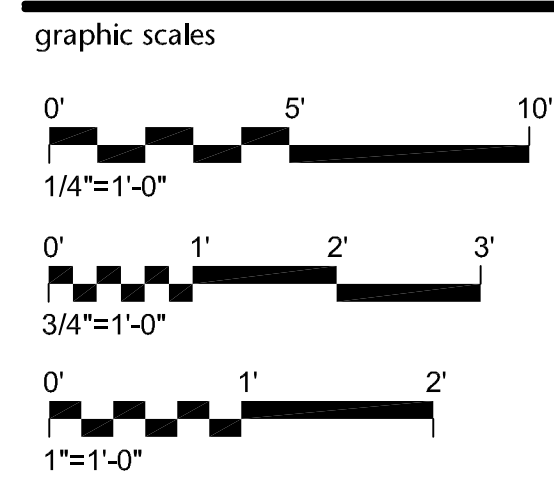
NOVITSKE ARCHITECTS

201 North Fairfax Street • Suite 33  
Alexandria VA 22314  
703 535 7899 • 703 535 8840 fax

NADER ELHAJJ, P.E.

3603 McLean Avenue  
Fairfax VA 22030  
703 615 2451 • 703 583 9424 fax

- Legend
- LOAD BEARING WALL
  - NON LOAD BEARING WALL
  - BEAM



project: 23612  
phase: Permit Set  
date: 16 January 2017  
revisions:

Second Floor Framing Plan & Details