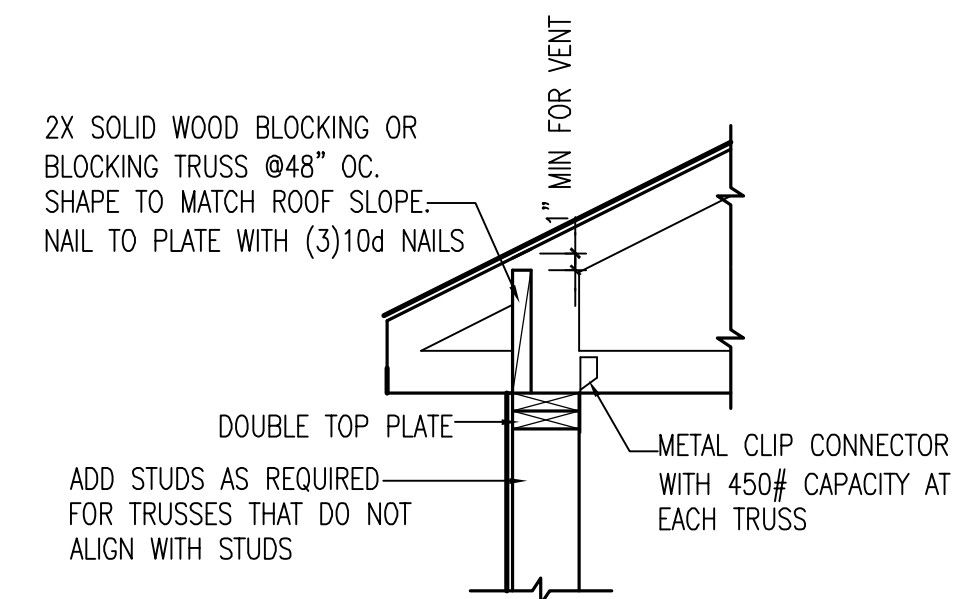
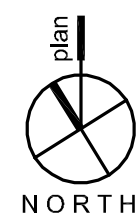
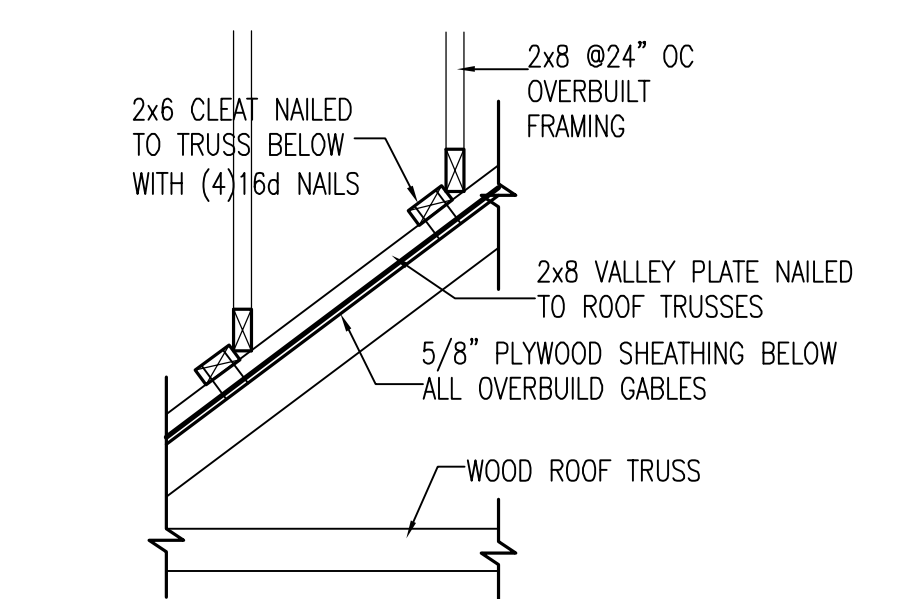


**1** ROOF FRAMING PLAN  
S4 SCALE: 1/4"=1'-0"



**2** TURSS BEARING  
S4 SCALE: 3/4"=1'-0"



**3** TURSS OVERBUILD  
S4 SCALE: 3/4"=1'-0"

Residence

6600 Chesterfield Avenue  
McLean, Virginia

NOVITSKE ARCHITECTS

201 North Fairfax Street • Suite 33  
Alexandria VA 22314  
703 535 7899 • 703 535 8840 fax

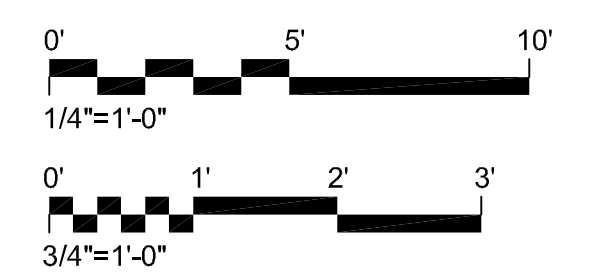
NADER ELHAJJ, P.E.

3603 McLean Avenue  
Fairfax VA 22030  
703 615 2451 • 703 583 9424 fax

Legend

- LOAD BEARING WALL
- NON LOAD BEARING WALL
- BEAM

graphic scales



project: 23612  
phase: Permit Set  
date: 16 January 2017  
revisions:

Roof Framing Plan  
& Details