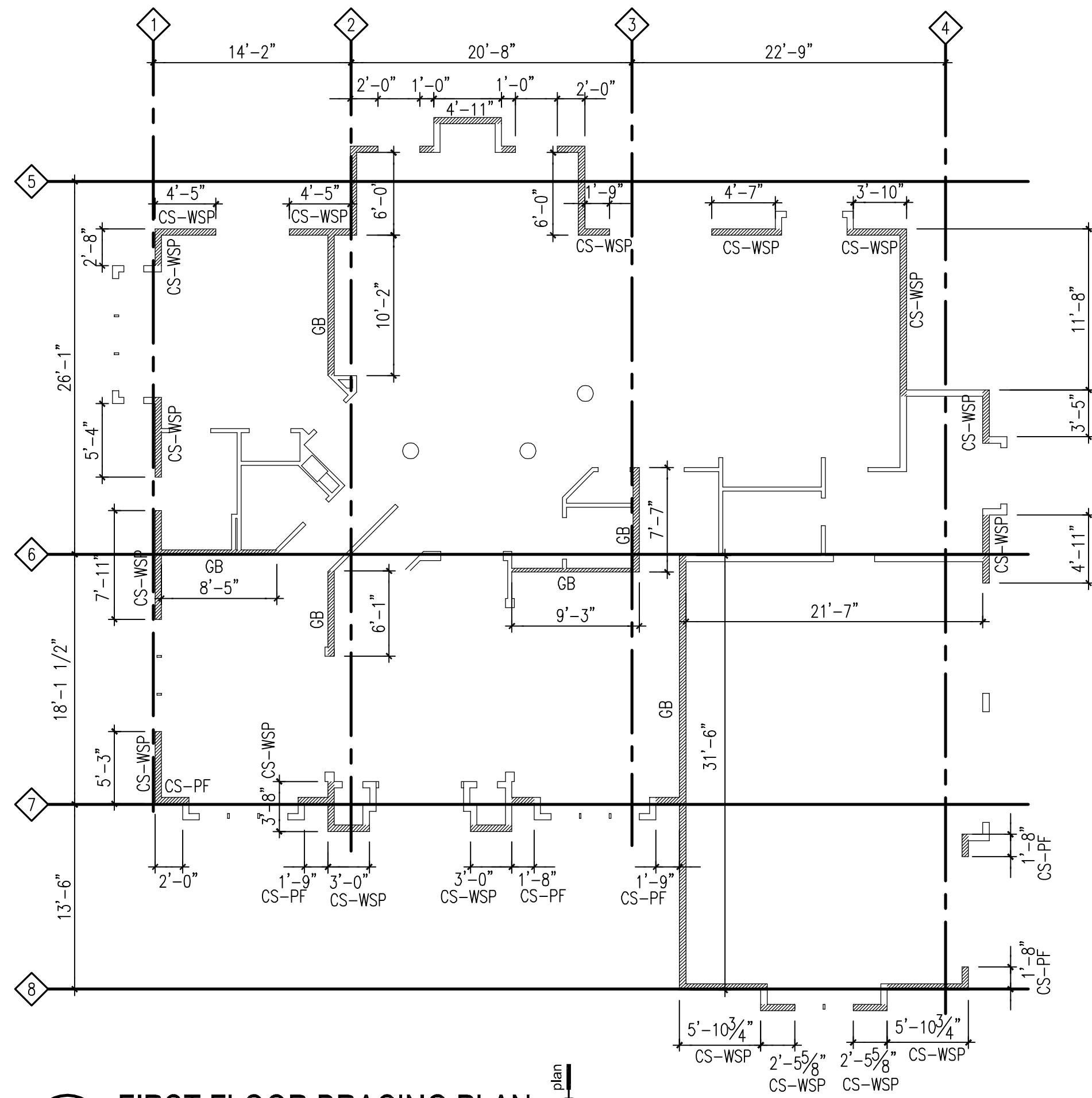
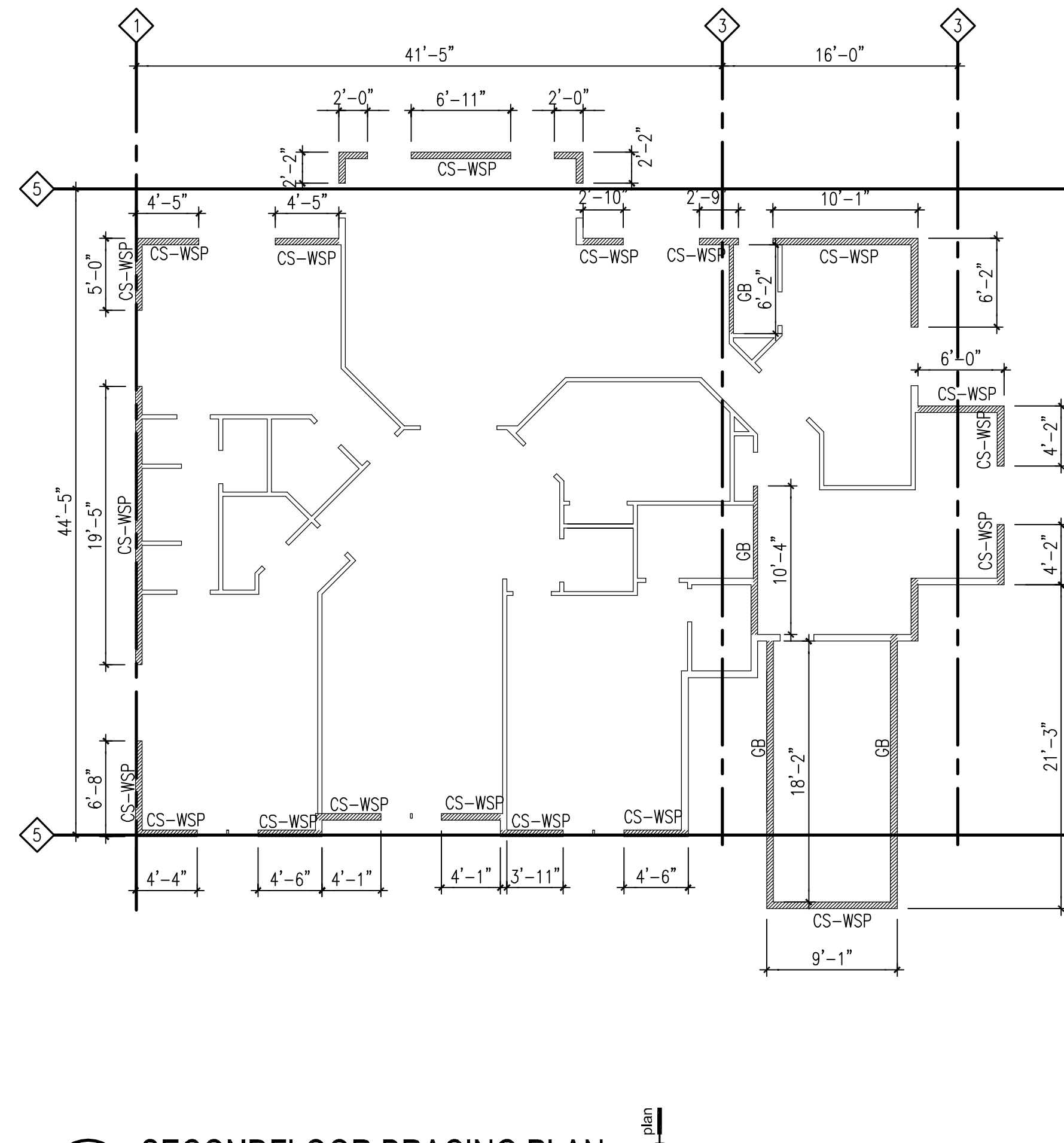


BRACING NOTES

1. WIND BRACING METHOD PER 2012 IBC SECTION R602.10.
2. BRACING METHOD: CLASSICAL METHOD WITH CS-WSP (1/8" OSB) UNO.
3. A BRACED WALL PANEL SHALL BEGIN WITHIN 12 FEET FROM EACH END OF A BRACED WALL LINE.
4. MAXIMUM BRACED WALL LINE OFFSET UP TO 4 FEET.
5. THE DISTANCE BETWEEN BRACED WALL PANELS ALONG A BRACED WALL LINE SHALL BE NO GREATER THAN 20 FEET.
6. EACH END OF A BRACED WALL LINE WITH CONTINUOUS SHEATHING MUST HAVE A 24-INCH PANEL ON BOTH SIDES OF A CORNER OR 800 POUND HOLD-DOWN DEVICE.



1 FIRST FLOOR BRACING PLAN
SCALE: 1/8"=1'-0"
NORTH



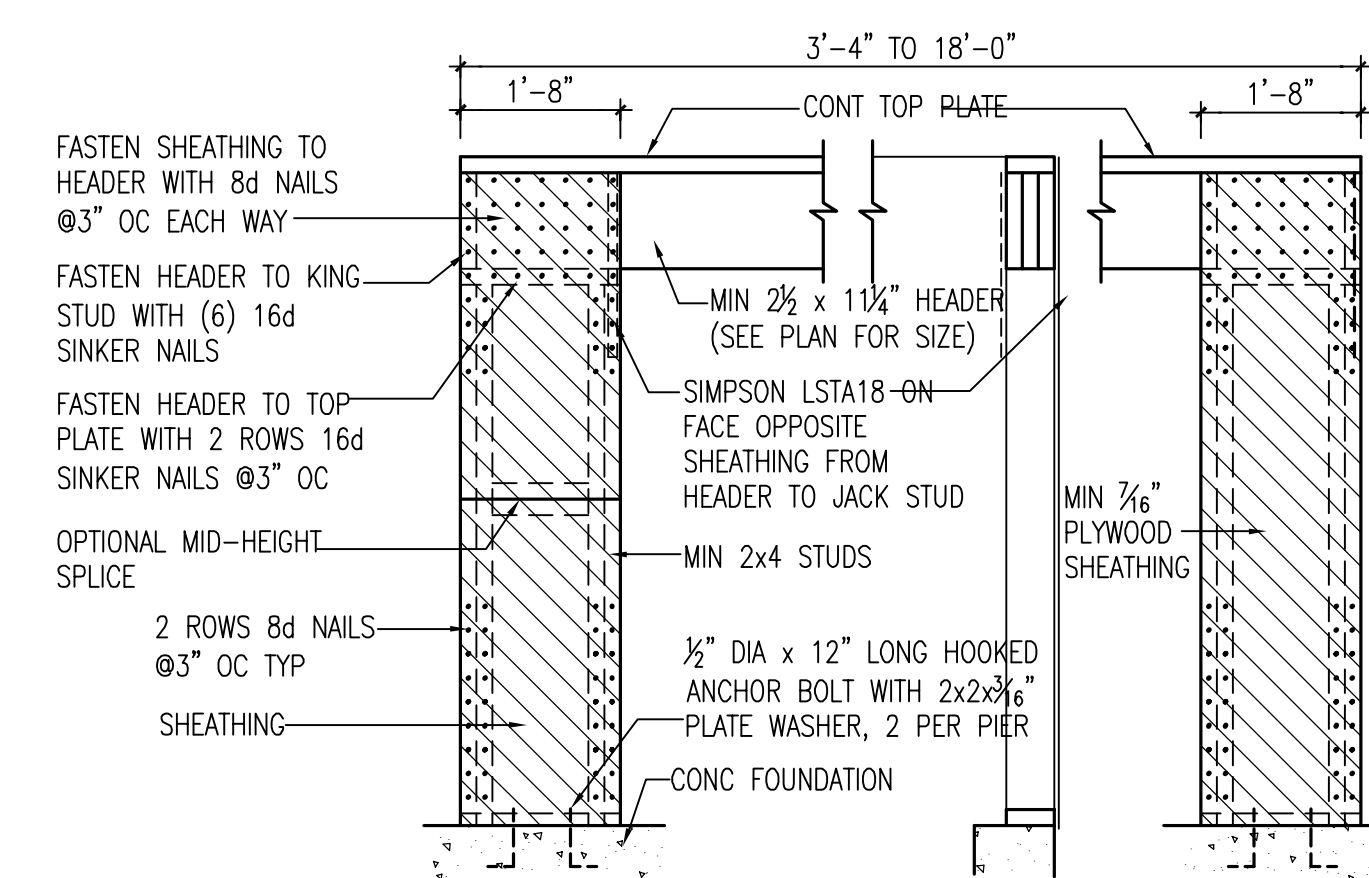
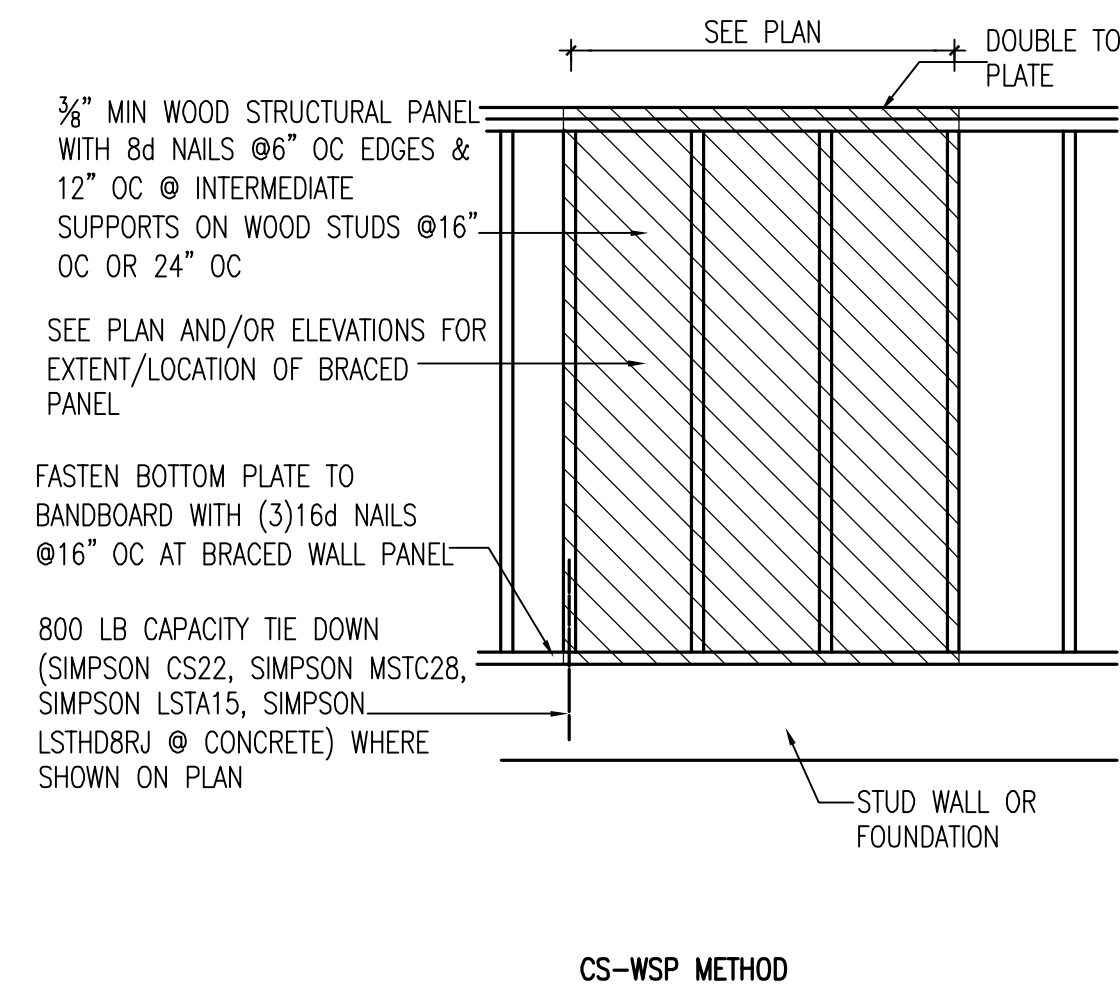
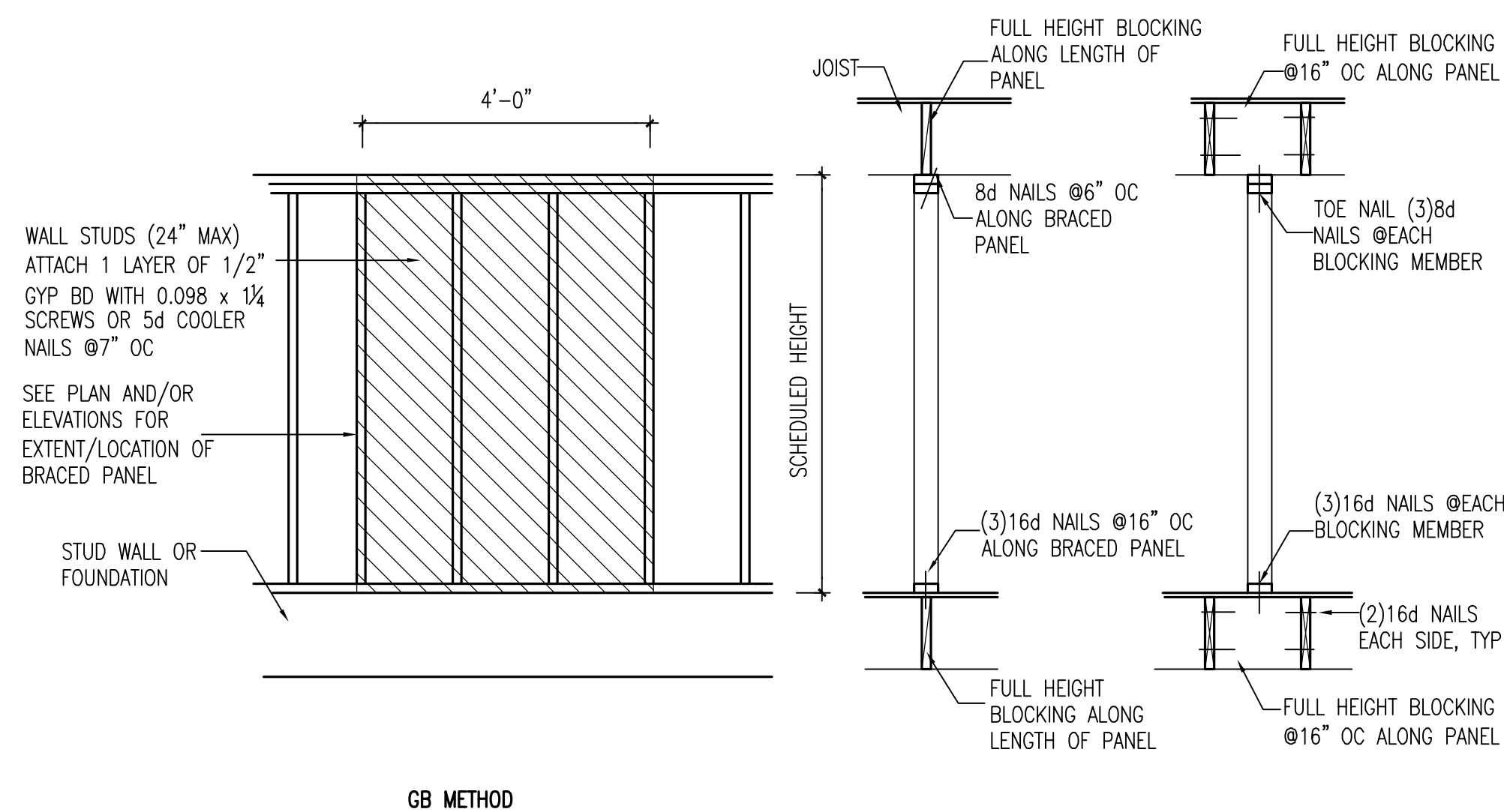
2 SECOND FLOOR BRACING PLAN
SCALE: 1/8"=1'-0"
NORTH

FIRST FLOOR BRACING CALCULATION

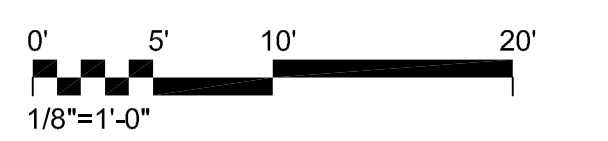
BWL NO.	LOCATION	BRACING TYPE	SPACING BET. BWLS	MINIMUM BRACED PANEL	FACTORS			REQUIRED BRACED PANELS	AVAILABLE BRACED PANELS	COMMENTS
					WALL HEIGHT	ROOF NO. OF BWLS	NO. OF BWLS			
1	FIRST FLOOR	CS-WSP	14.2'	4.76'	1.0	1.18	1.45	8.14'	21.2'	OK
2	FIRST FLOOR	CS-WSP	20.7'	13.38'	1.0	1.18	1.45	22.90'	25.9'	OK
3	FIRST FLOOR	GB	22.75'	14.51'	1.0	1.18	1.45	24.83'	45.0'	OK
4	FIRST FLOOR	CS-WSP	22.75'	7.19'	1.0	1.18	1.45	12.30'	20.0'	OK
5	FIRST FLOOR	CS-WSP	26.1'	8.02'	1.0	1.18	1.45	13.73'	22.2'	OK
6	FIRST FLOOR	GB	26.1'	16.35'	1.0	1.18	1.45	27.98'	39.25'	OK
7	FIRST FLOOR	CS-WSP	18.2'	5.96'	1.0	1.18	1.45	10.20'	16.5'	OK
8	FIRST FLOOR	CS-WSP	13.5'	4.55'	1.0	1.18	1.45	7.58'	16.5'	OK

SECOND FLOOR BRACING CALCULATION

BWL NO.	LOCATION	BRACING TYPE	SPACING BET. BWLS	MINIMUM BRACED PANEL	FACTORS			REQUIRED BRACED PANELS	AVAILABLE BRACED PANELS	COMMENTS
					WALL HEIGHT	ROOF NO. OF BWLS	NO. OF BWLS			
1	SECOND FLOOR	CS-WSP	41.5'	6.22	0.95	1.36	1.30	10.46'	31.1'	OK
2	SECOND FLOOR	GB	41.5'	12.95'	0.95	1.36	1.30	21.75'	32.33'	OK
3	SECOND FLOOR	GB	16.0'	5.60'	0.95	1.36	1.30	9.41'	34.75'	OK
4	SECOND FLOOR	CS-WSP	44.5'	6.67'	0.95	1.36	1.45	8.82'	31.5'	OK
5	SECOND FLOOR	CS-WSP	44.5'	6.67'	0.95	1.36	1.45	8.82'	22.2'	OK



graphic scales



project: 23612
phase: Permit Set
date: 16 January 2017
revisions: