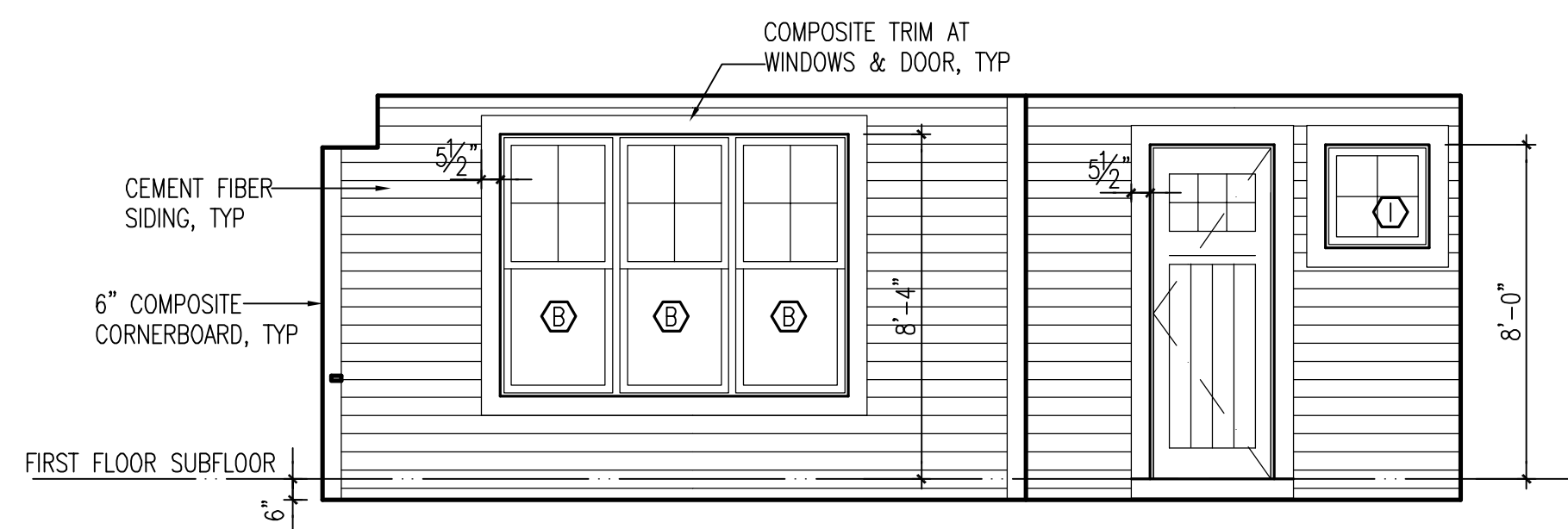
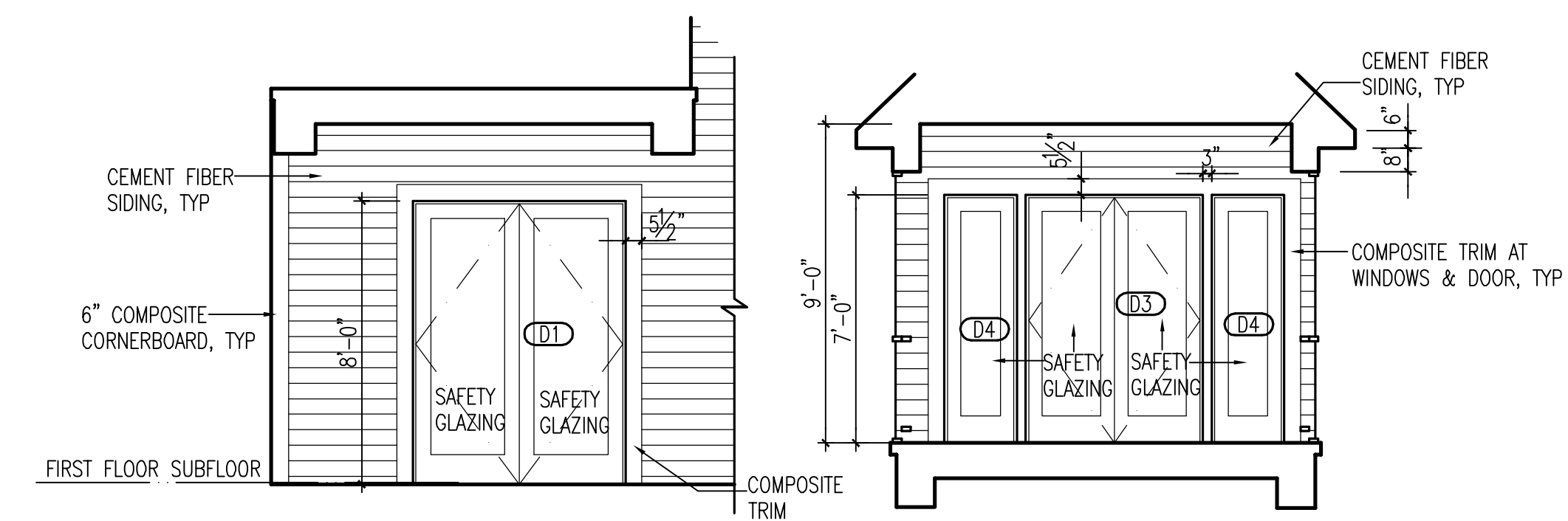


**1 WEST ELEVATION**  
A4 SCALE: 1/4"=1'-0"

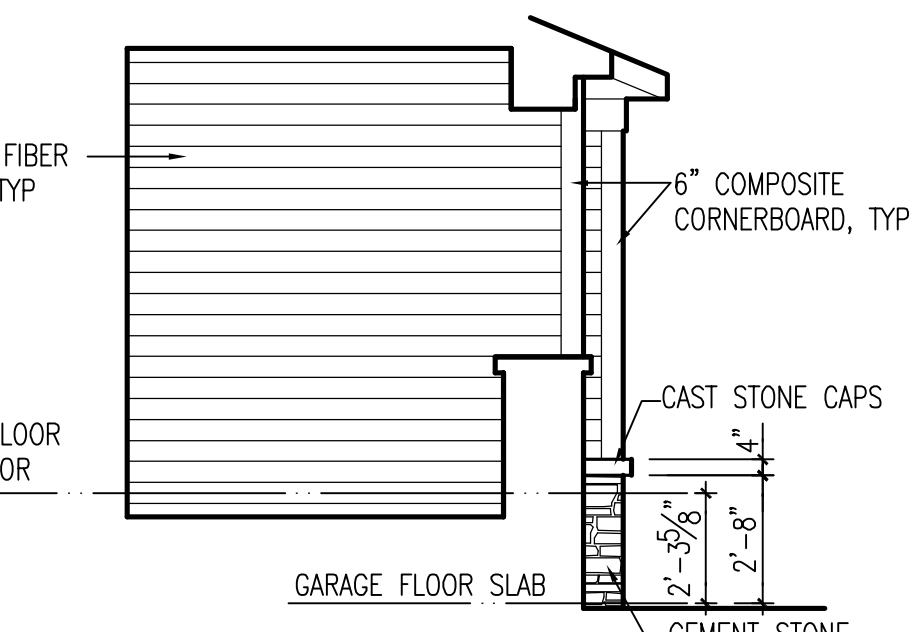


**2 PORCH WEST ELEVATION**  
A4 SCALE: 1/4"=1'-0"

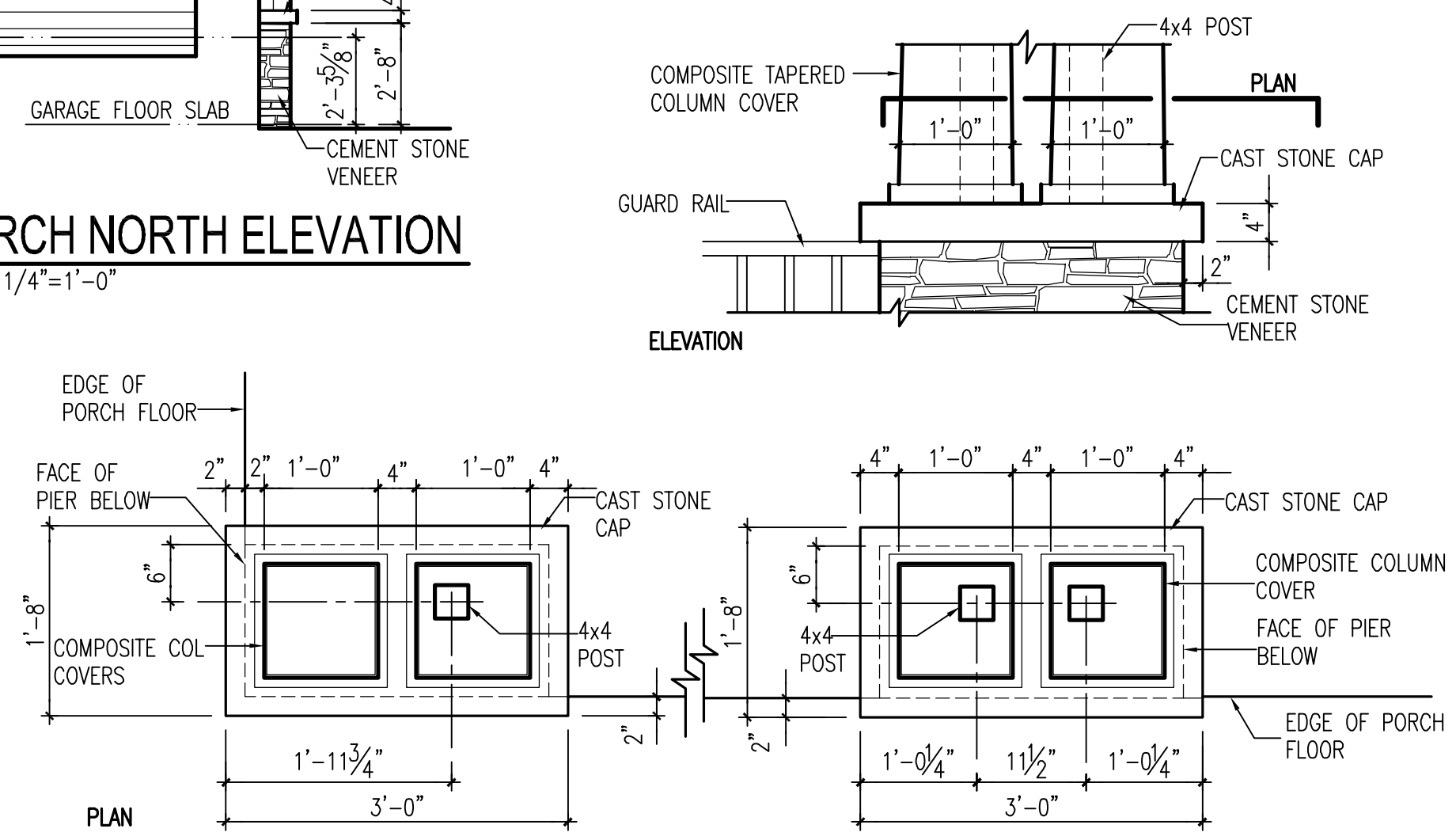


**3 DECK EAST ELEVATION**  
A4 SCALE: 1/4"=1'-0"

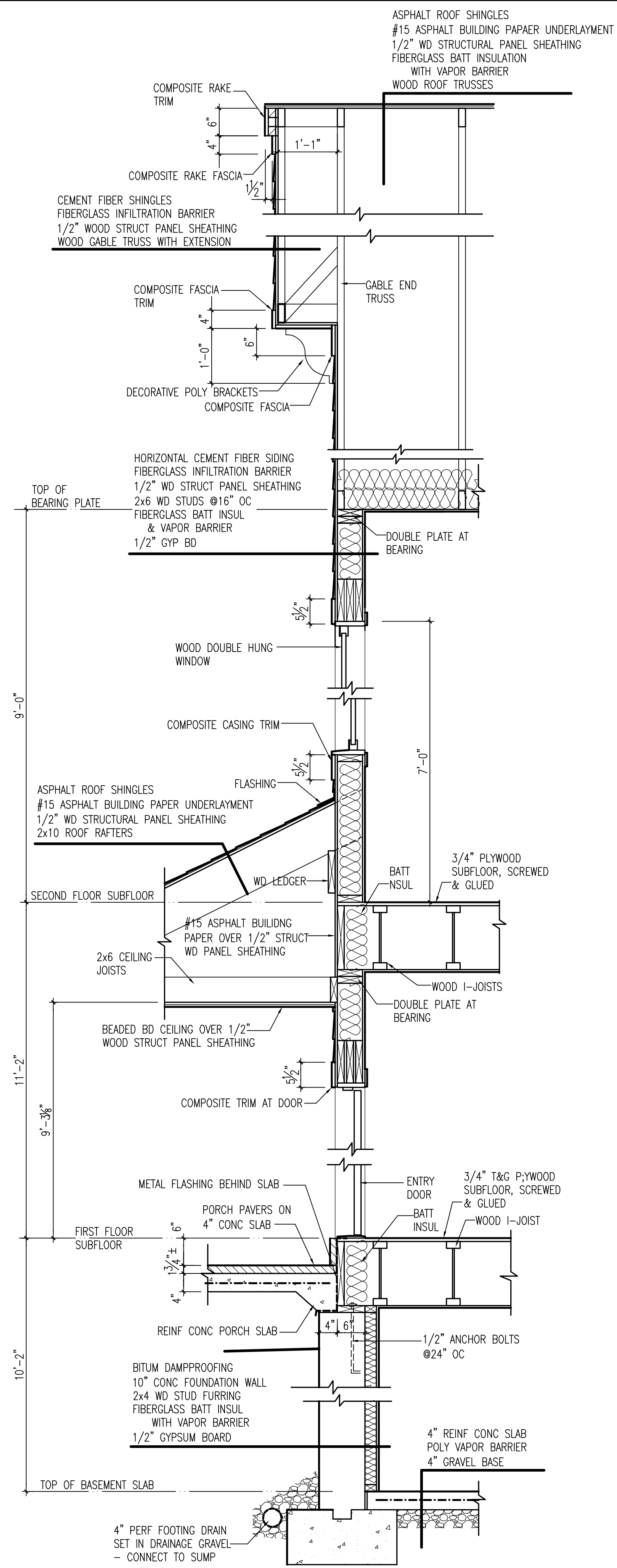
**4 SCREEN PORCH ELEVATION**  
A4 SCALE: 1/4"=1'-0"



**5 PORCH NORTH ELEVATION**  
A4 SCALE: 1/4"=1'-0"



**6 PIER PLAN DETAIL**  
A4 SCALE: 3/4"=1'-0"



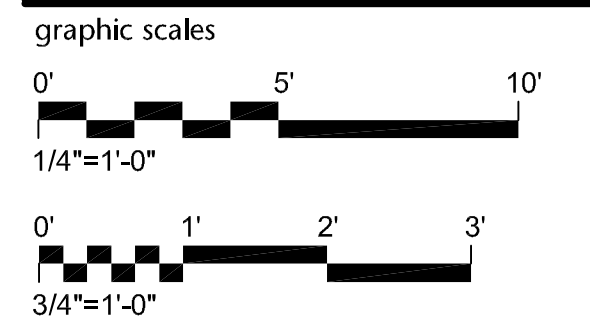
**7 WALL SECTION AT PORCH**  
A4 SCALE: 3/4"=1'-0"

Residence

6834 Churchill Road  
McLean, Virginia 22101

NOVITSKE ARCHITECTS

201 North Fairfax Street • Suite 33  
Alexandria VA 22314  
703 535 7899 • 703 535 8840 fax



project: 24711  
phase: Permit  
date: 16 January 2018  
revisions:

Elevations,  
Wall Sections, & Details

**A4**