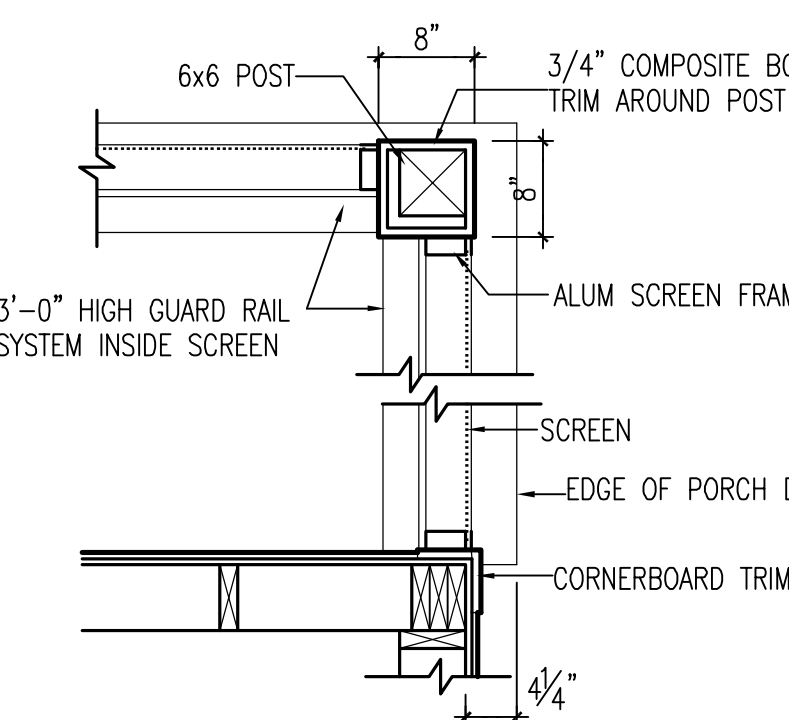
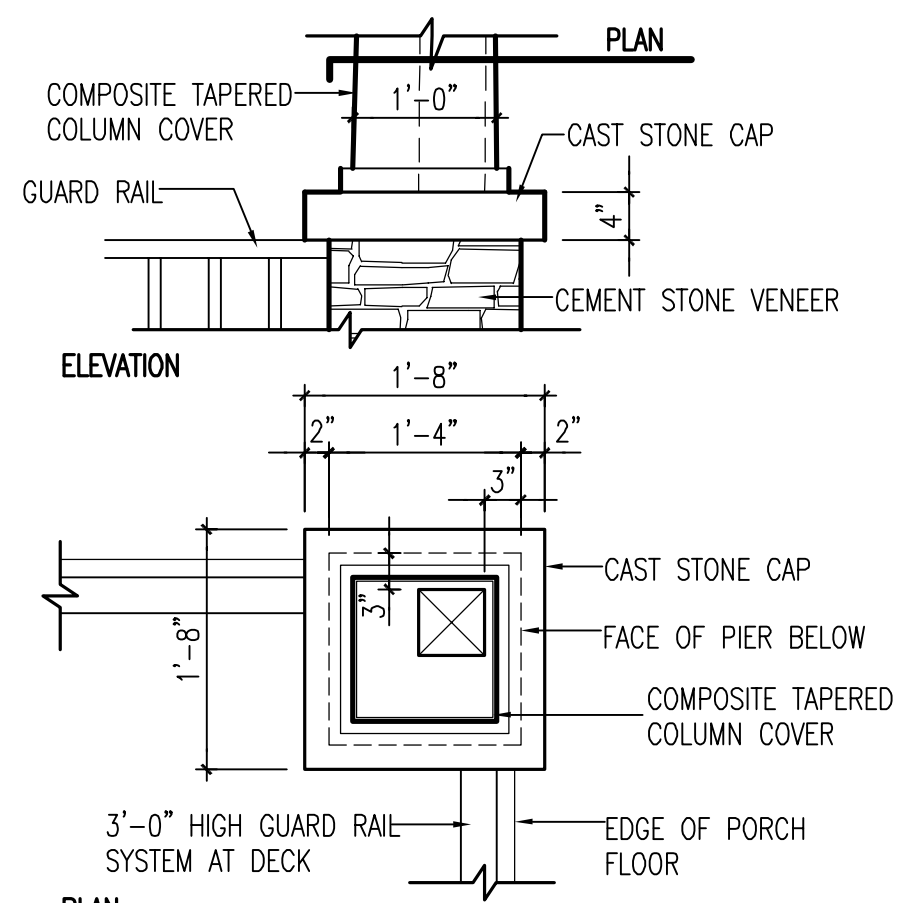


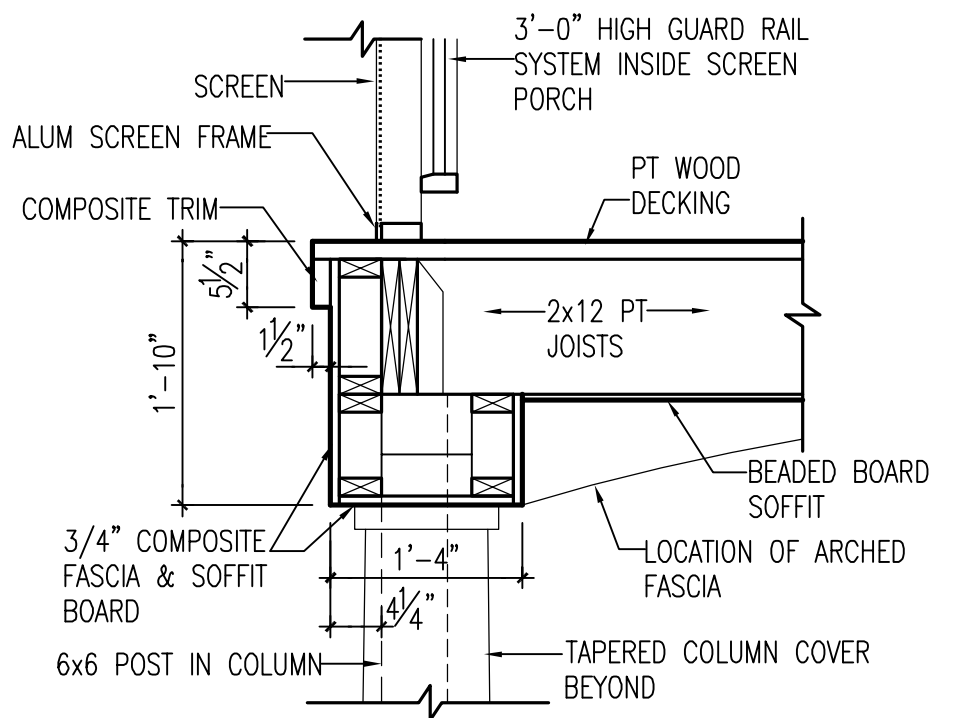
4 EAST ELEVATION
SCALE: 1/4"=1'-0"



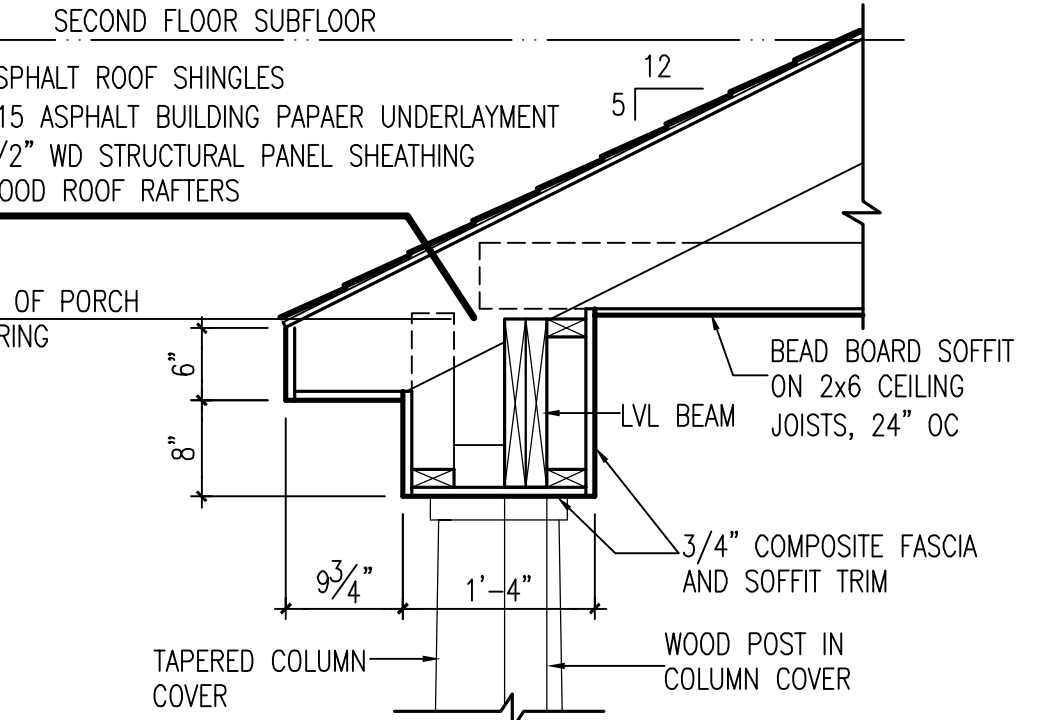
5 PORCH POST PLAN
SCALE: 3/4"=1'-0"



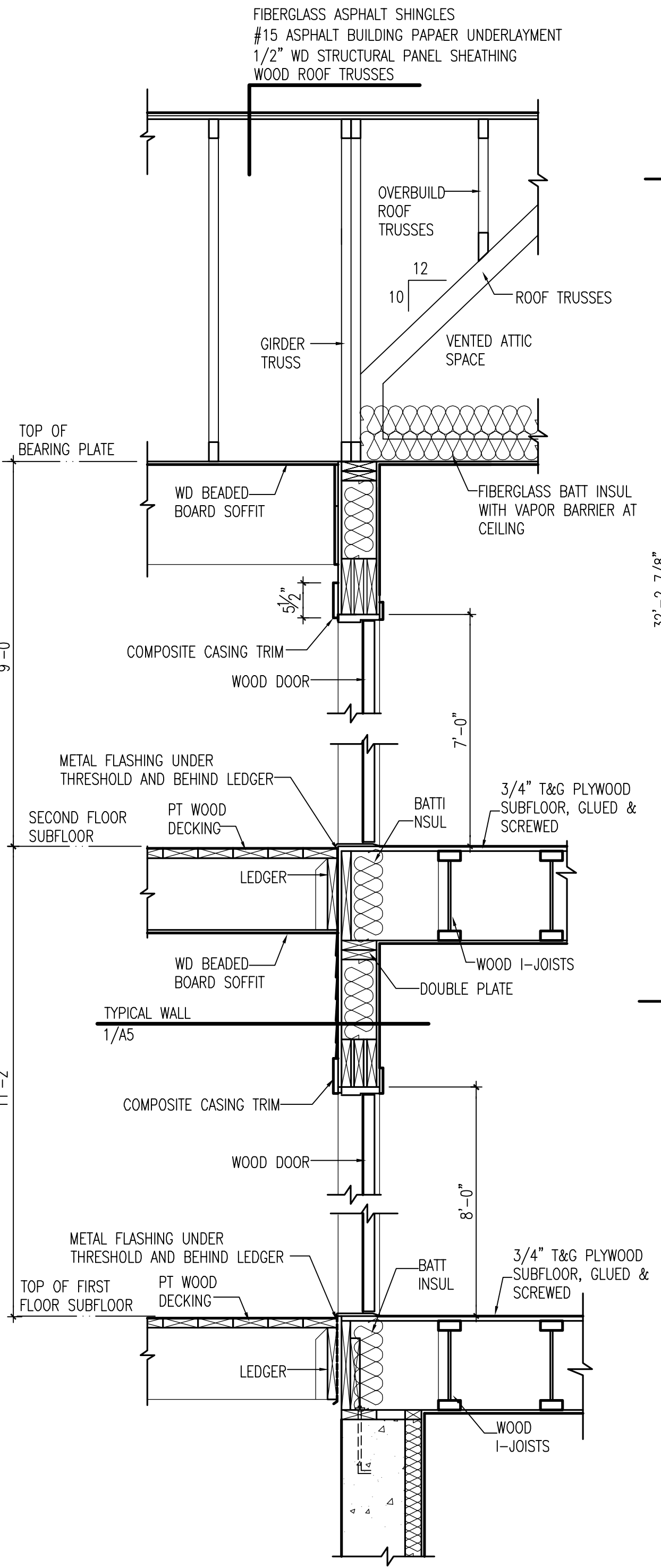
7 PORCH PIER PLAN
SCALE: 3/4"=1'-0"



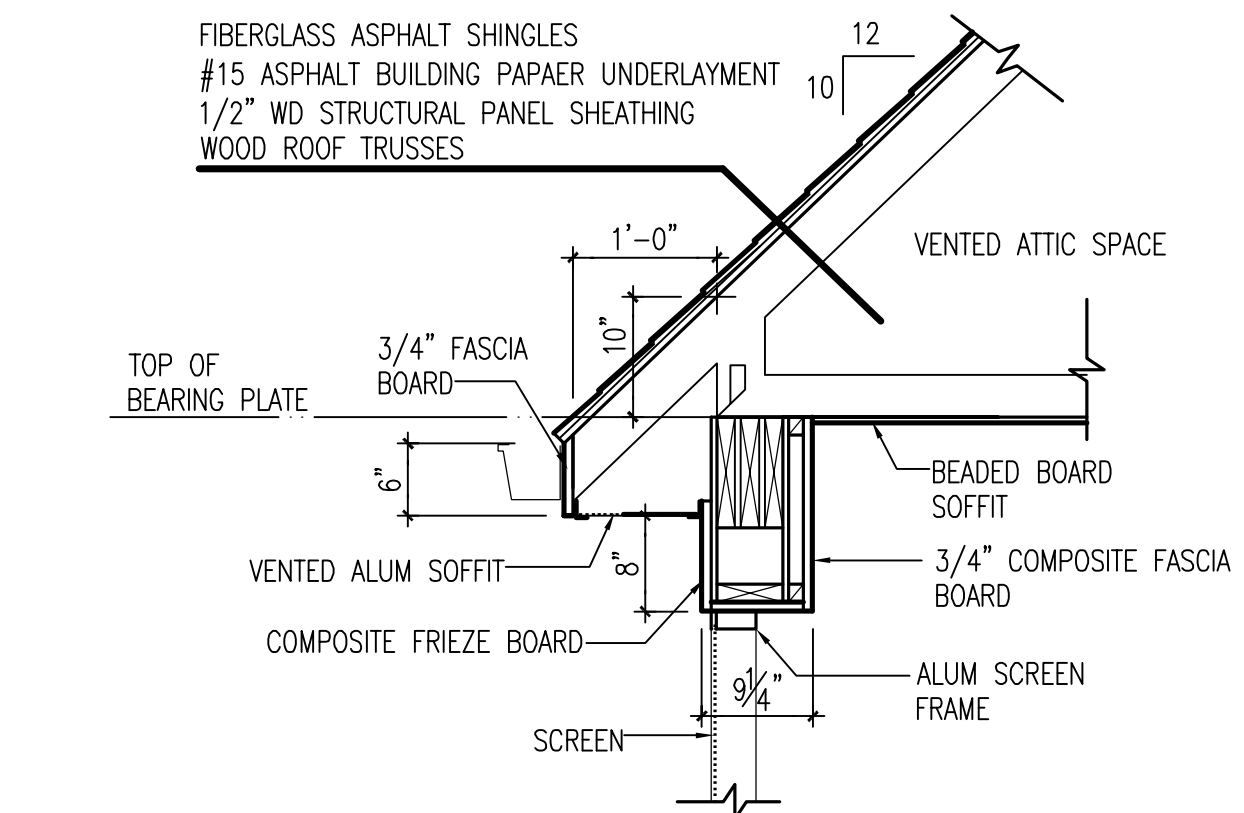
9 PORCH FLOOR SECTION
SCALE: 3/4"=1'-0"



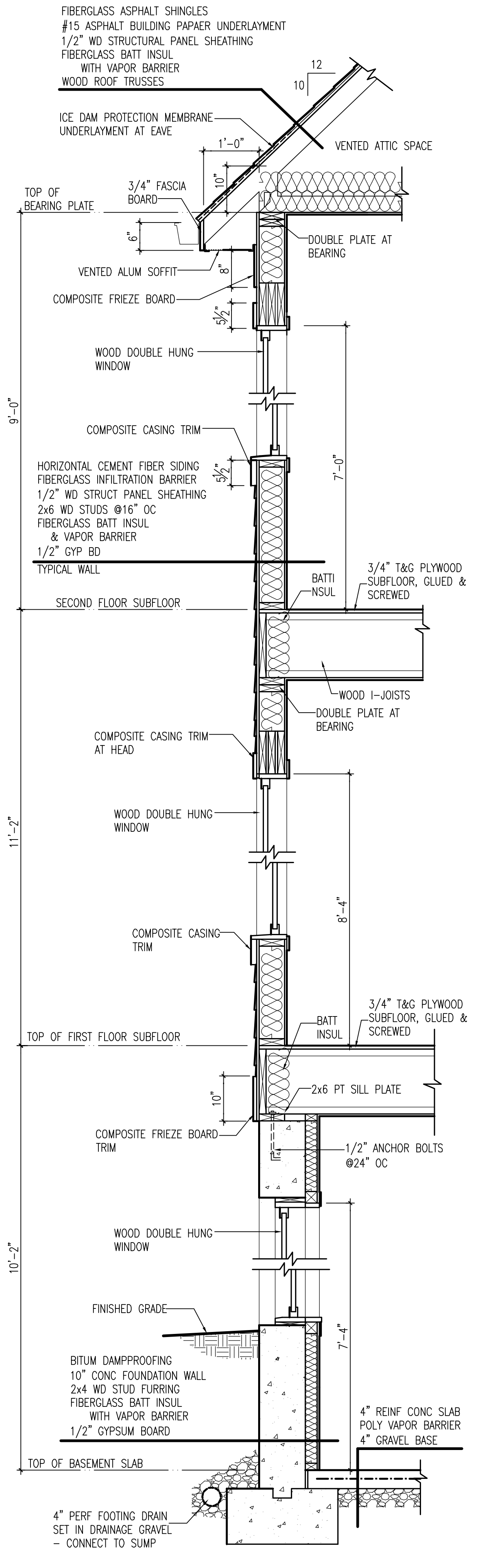
6 PORCH FASCIA SECTION
SCALE: 3/4"=1'-0"



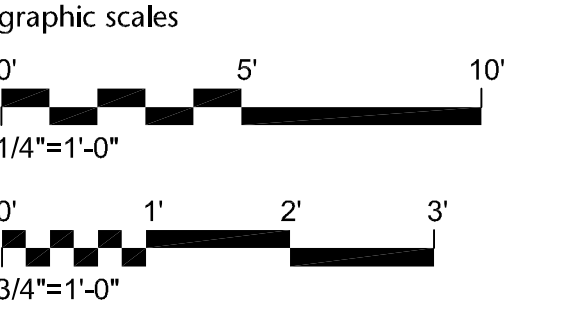
2 WALL SECTION AT PORCH
SCALE: 3/4"=1'-0"



3 OVERHANG AT PORCH
SCALE: 3/4"=1'-0"



1 WALL SECTION
SCALE: 3/4"=1'-0"



project: 24711
phase: Permit
date: 16 January 2018
revisions: 13 March 2018 - front roof slope