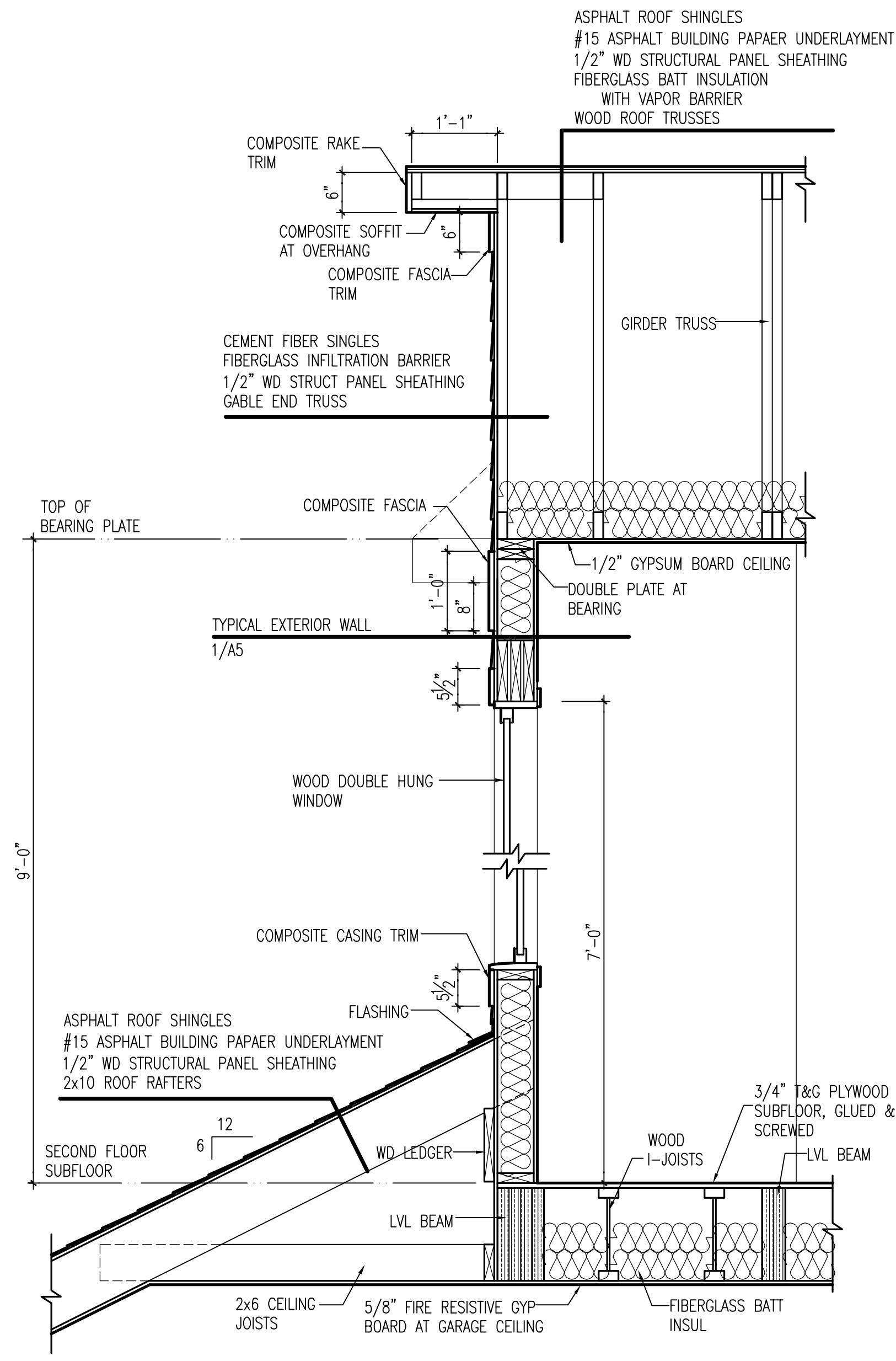


Residence

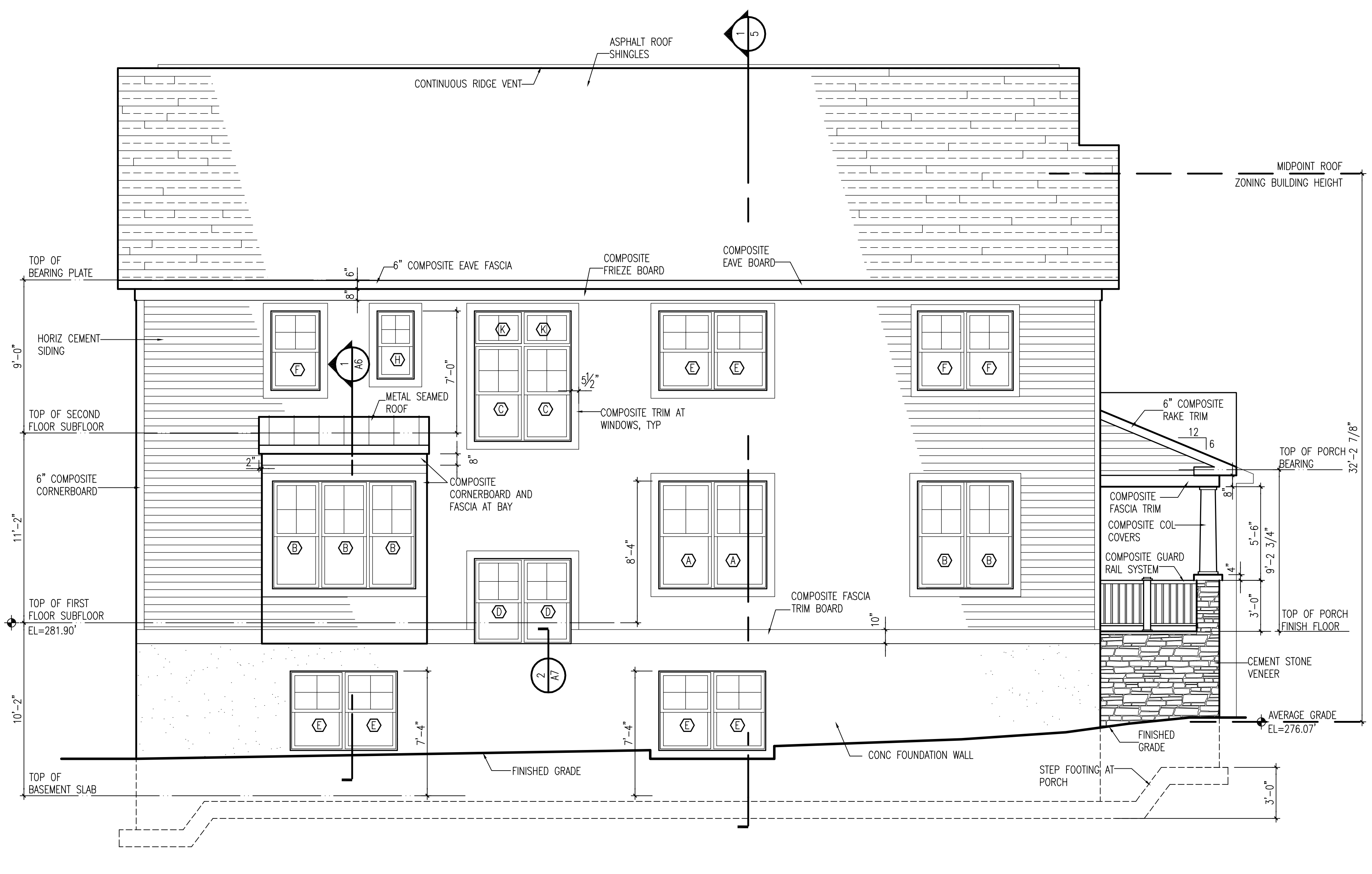
6834 Churchill Road  
McLean, Virginia 22101

NOVITSKE ARCHITECTS

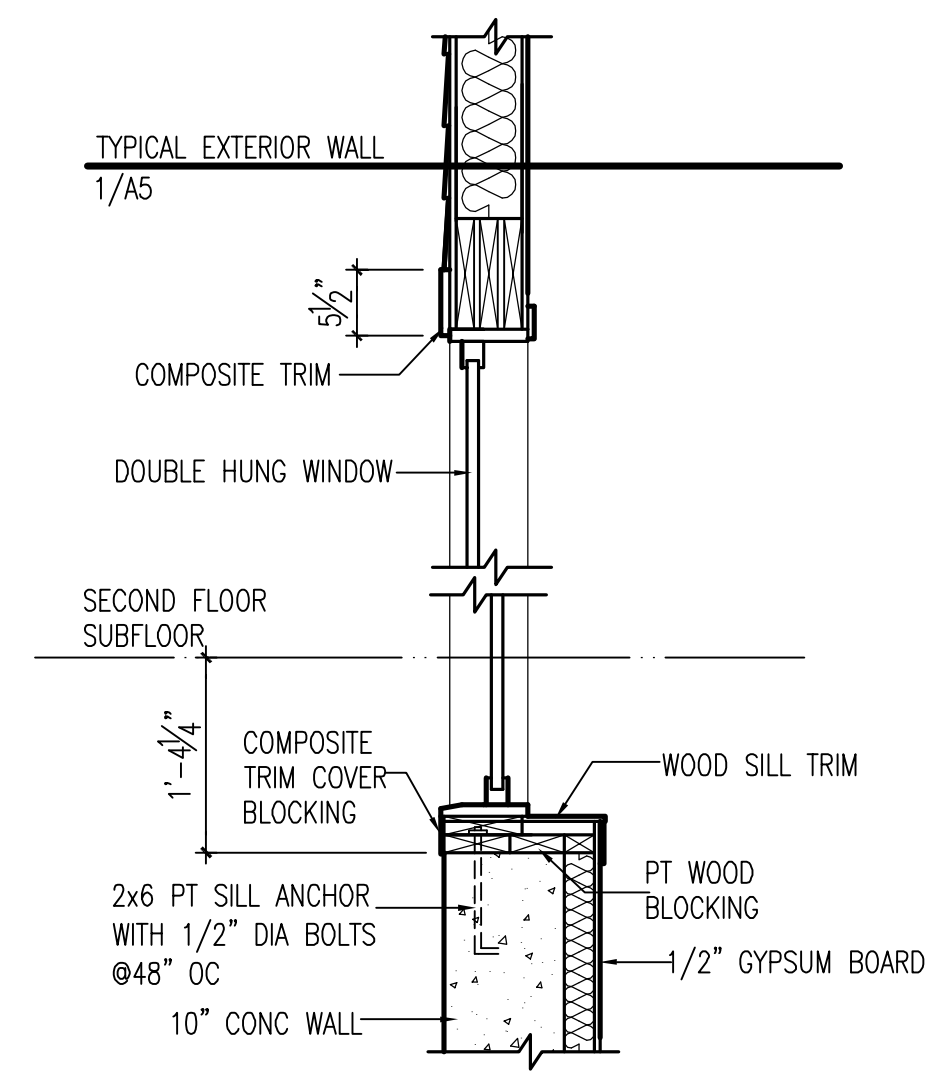
201 North Fairfax Street • Suite 33  
Alexandria VA 22314  
703 535 7899 • 703 535 8840 fax



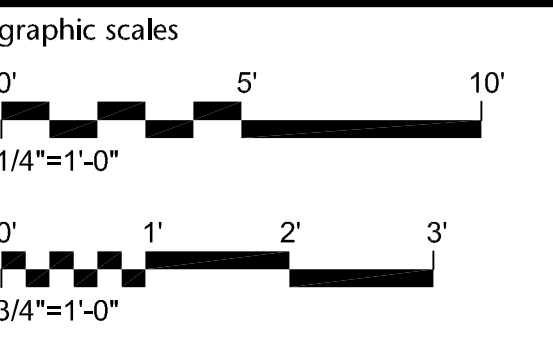
**1 SECTION AT DORMER**  
SCALE: 3/4"=1'-0"



**2 SOUTH ELEVATION**  
SCALE: 1/4"=1'-0"



**2 SILL AT STAIR**  
SCALE: 3/4"=1'-0"



project: 24711  
phase: Permit  
date: 16 January 2018  
revisions: 2 February 2018 - bay window