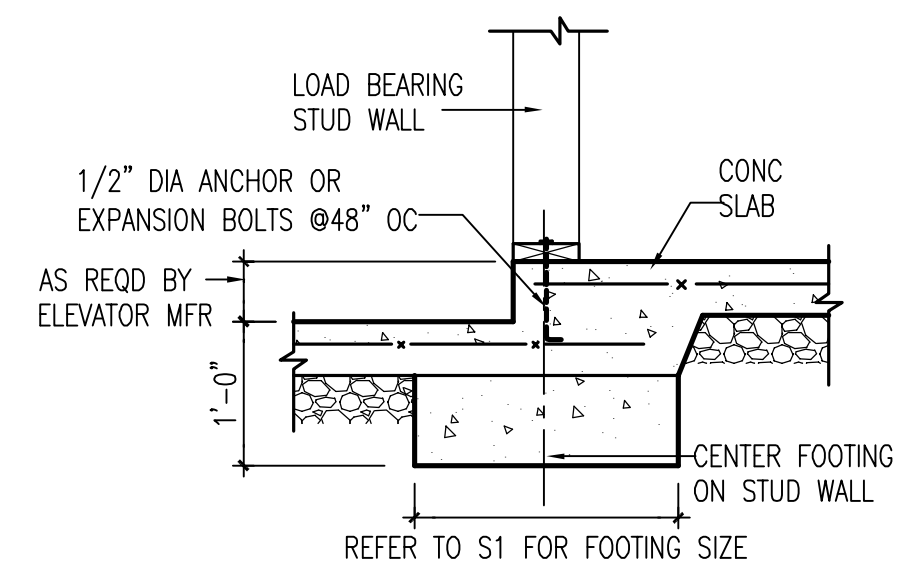
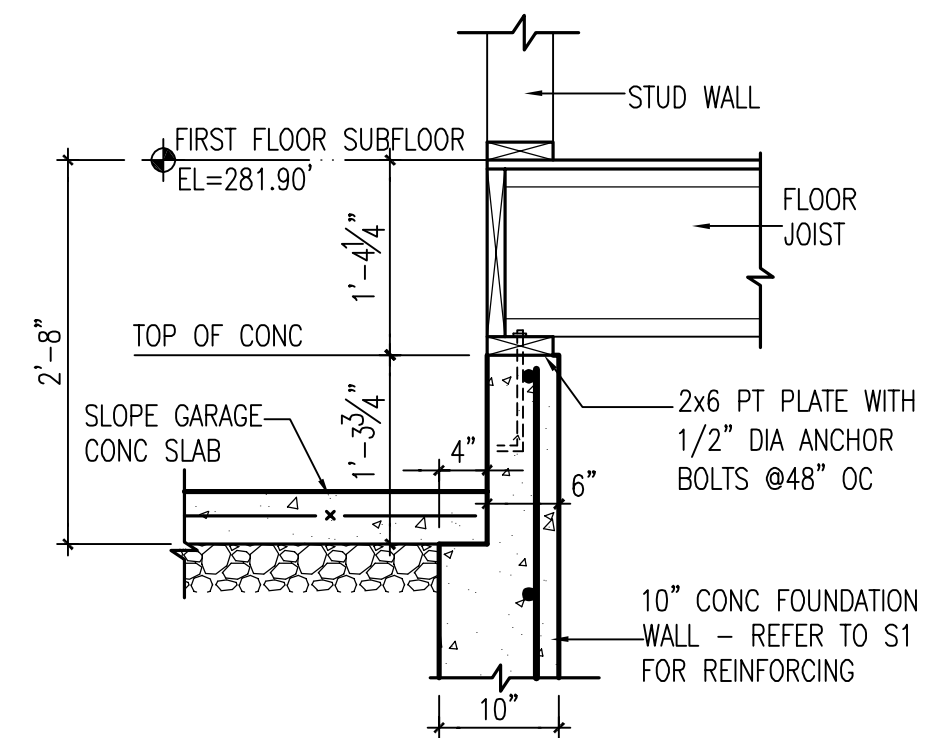


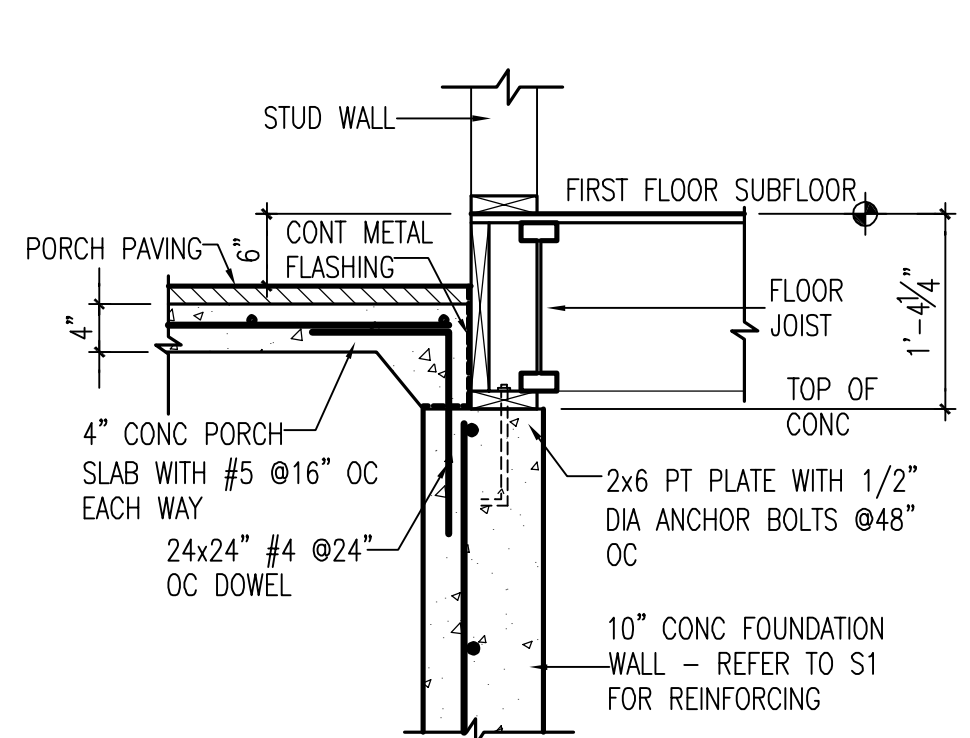
2 FOOTING AT ELEVATOR
S2 SCALE: 3/4"=1'-0"



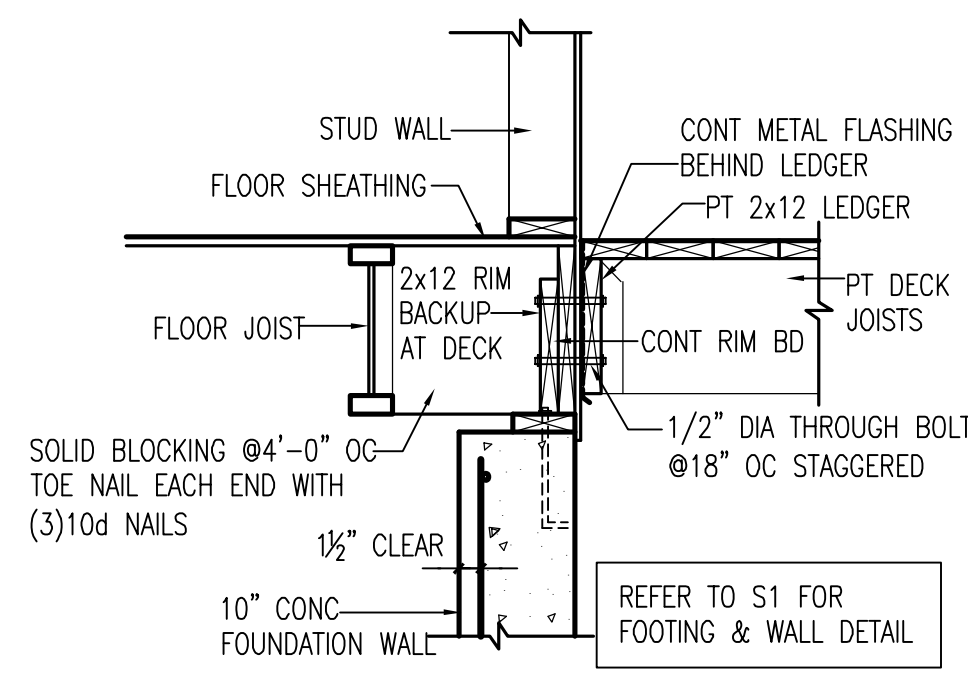
3 FOOTING AT ELEVATOR
S2 SCALE: 3/4"=1'-0"



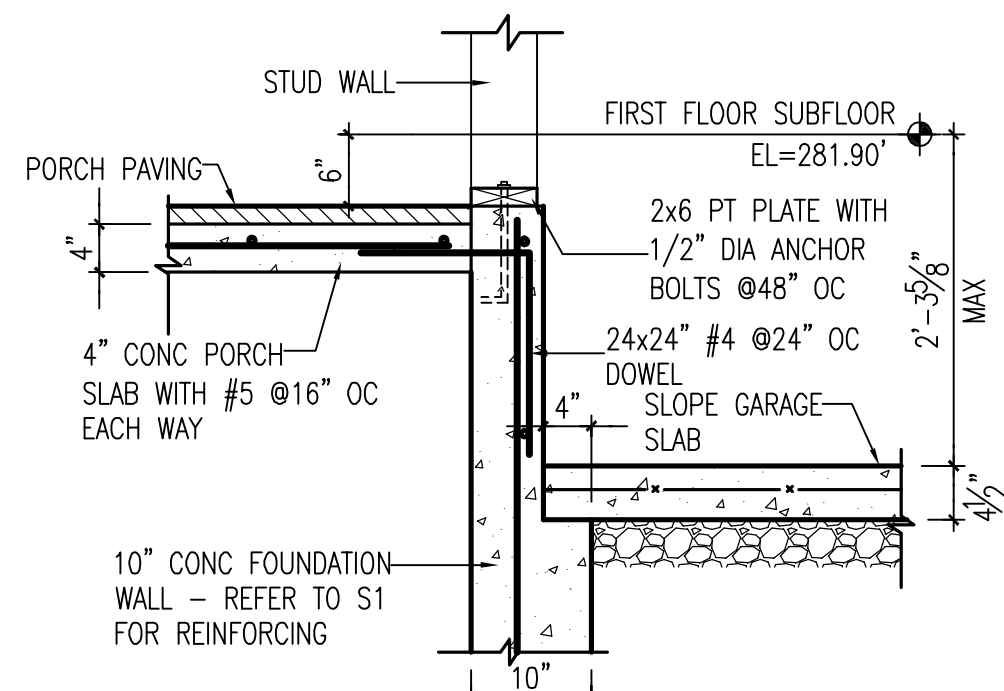
4 FOUNDATION AT GARAGE
S2 SCALE: 3/4"=1'-0"



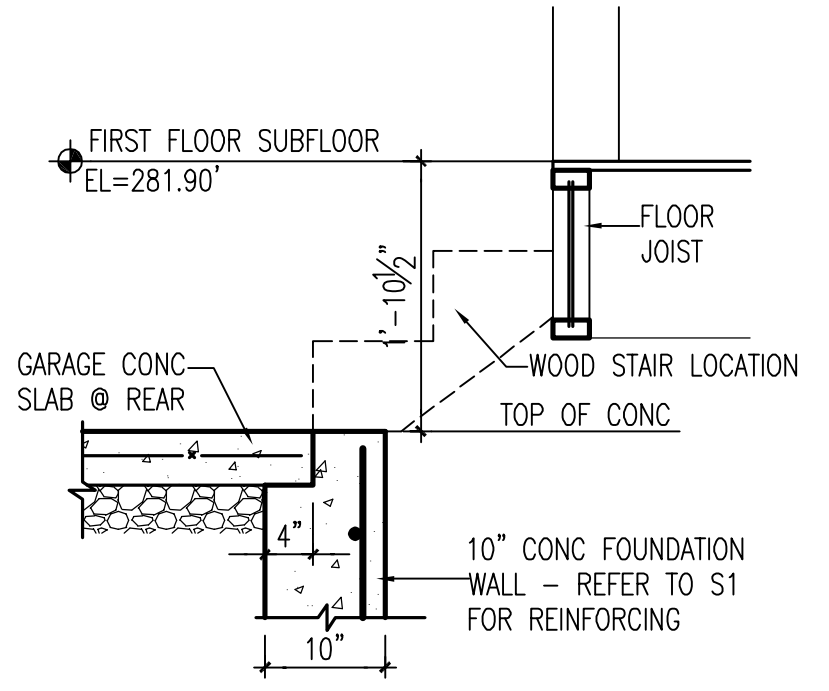
5 FOUNDATION AT PORCH
S2 SCALE: 3/4"=1'-0"



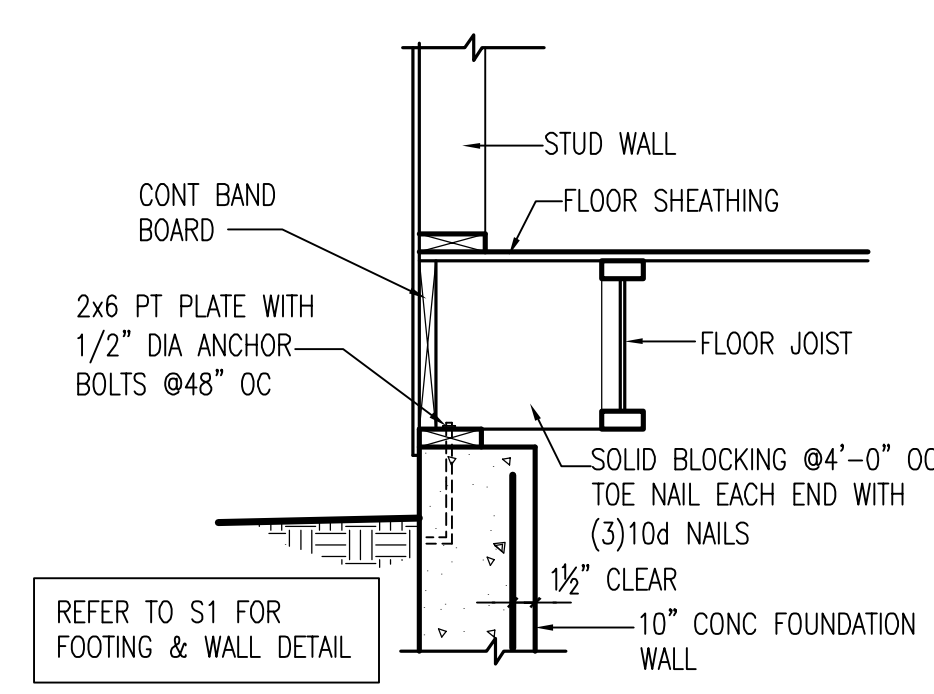
6 DECK BEARING
S2 SCALE: 3/4"=1'-0"



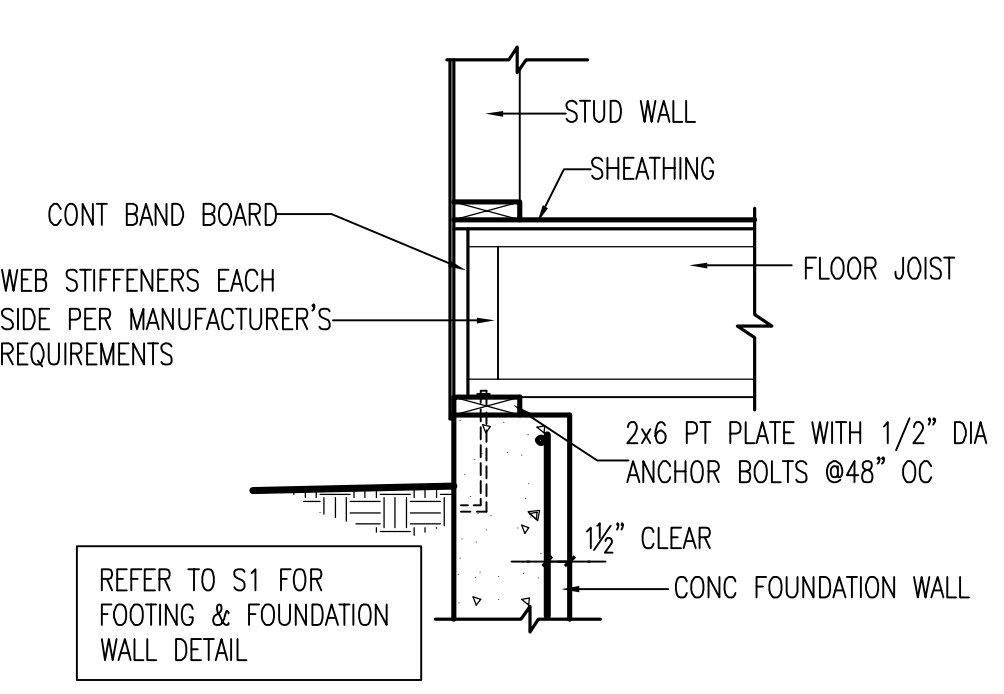
7 FOUNDATION AT GARAGE
S2 SCALE: 3/4"=1'-0"



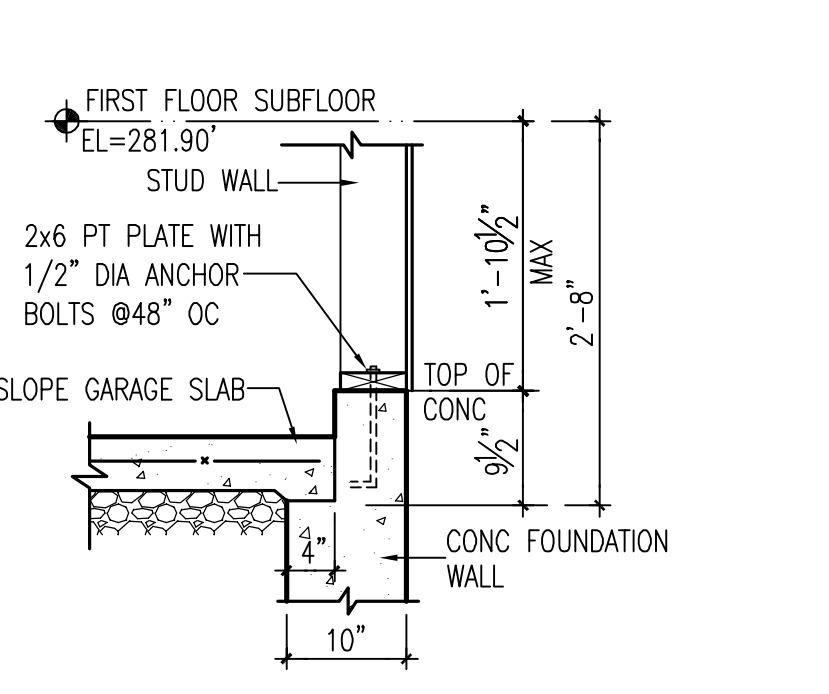
8 FOUNDATION AT STAIR
S2 SCALE: 3/4"=1'-0"



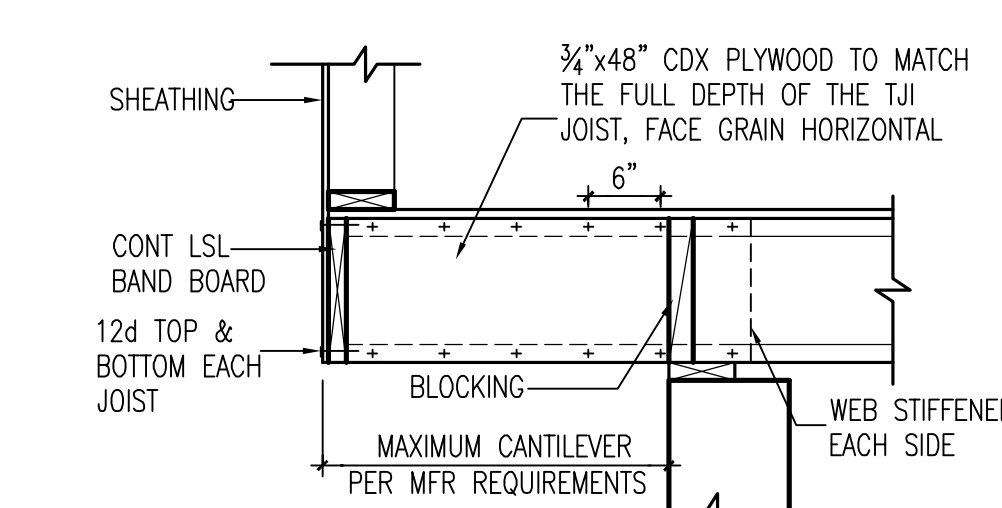
9 RIM BOARD DETAIL
S2 SCALE: 3/4"=1'-0"



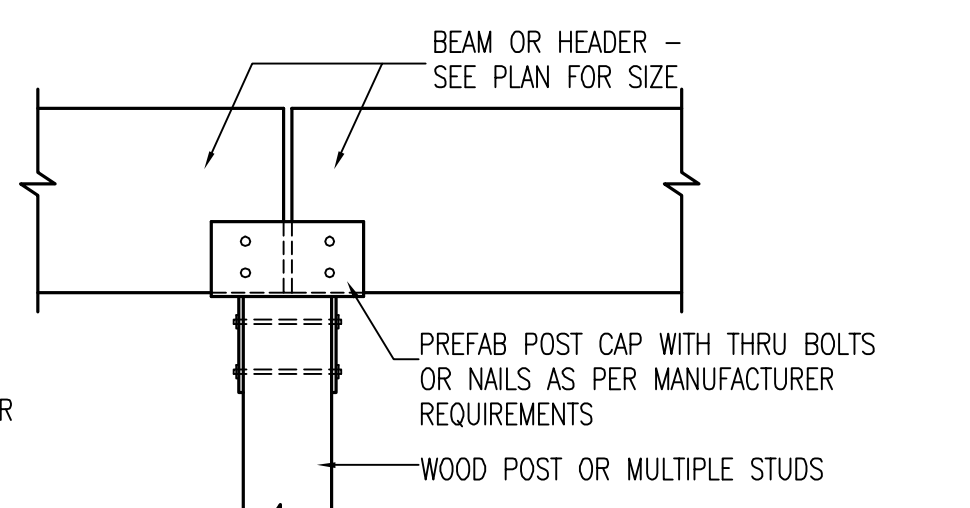
10 JOIST BEARING
S2 SCALE: 3/4"=1'-0"



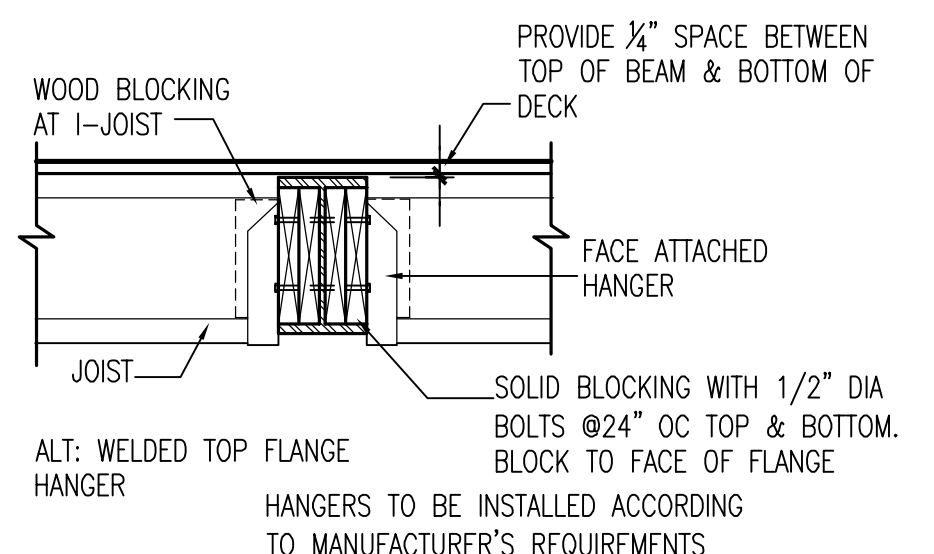
11 GARAGE WALL DETAIL
S2 SCALE: 3/4"=1'-0"



12 CANTILEVER DETAIL
S2 SCALE: 3/4"=1'-0"



13 WOOD BEAM DETAIL
S2 SCALE: 1"=1'-0"



14 STEEL BEAM DETAIL
S2 SCALE: 1"=1'-0"

BEAM SCHEDULE

- 1 (2)2x12
- 2 (2)1 1/2 x 14" LVL
- 3 (2)2x10
- 4 (4)1 1/2 x 14" LVL
- 5 W12x45
- 6 W10x39
- 7 1 1/2 x 14" LVL
- 8 (3)2x10
- 9 (3)2x12

COLUMN SCHEDULE

- C-1 3/2" DIA STEEL POST
- C-2 (2)2x6 WOOD POST
- C-3 4x4 WOOD POST
- C-4 6x6 WOOD POST
- C-5 4x6 WOOD POST
- C-6 (3)2x6 WOOD POST
- C-7 (2)2x4

Residence

6834 Churchill Road
McLean, Virginia 22101

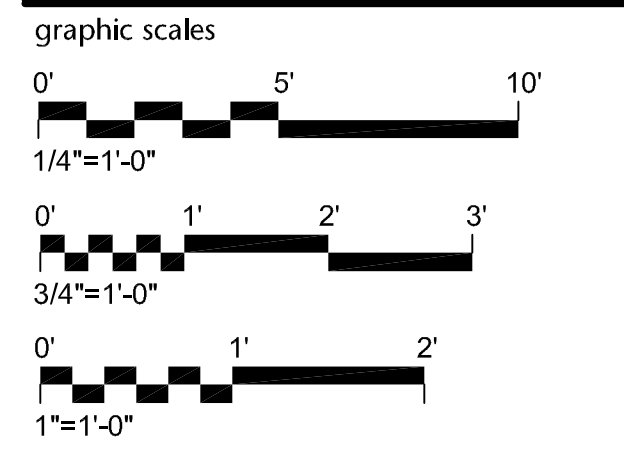
NOVITSKE ARCHITECTS

201 North Fairfax Street • Suite 33
Alexandria VA 22314
703 535 7899 • 703 535 8840 fax

NADER ELHAJJ

3603 McLean Avenue
Fairfax VA 22030
703 615 2451 • 703 563 9424 fax

- Legend
- JOIST FLUSH CONNECTION AT BEAM
 - COLUMN DOWN
 - COLUMN UP
 - ===== LOAD BEARING STUD WALL



project: 24711
phase: Permit
date: 16 January 2018
revisions: 26 February 2018

First Floor
Framing Plan & Details

S2

1 FIRST FLOOR FRAMING PLAN
S2 SCALE: 1/4"=1'-0"
NORTH