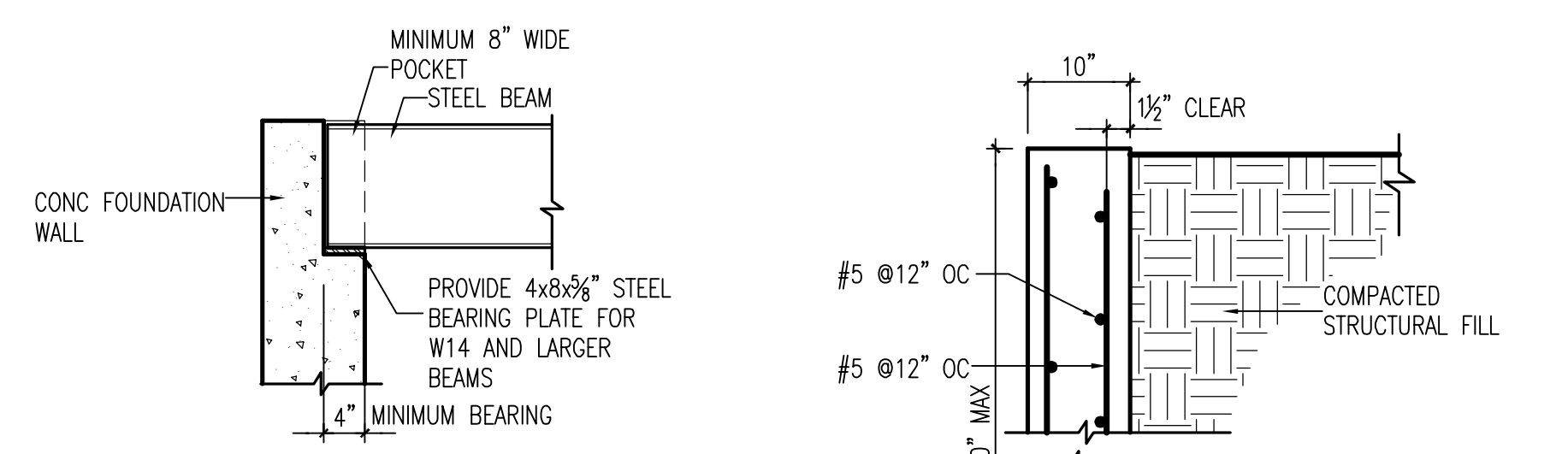
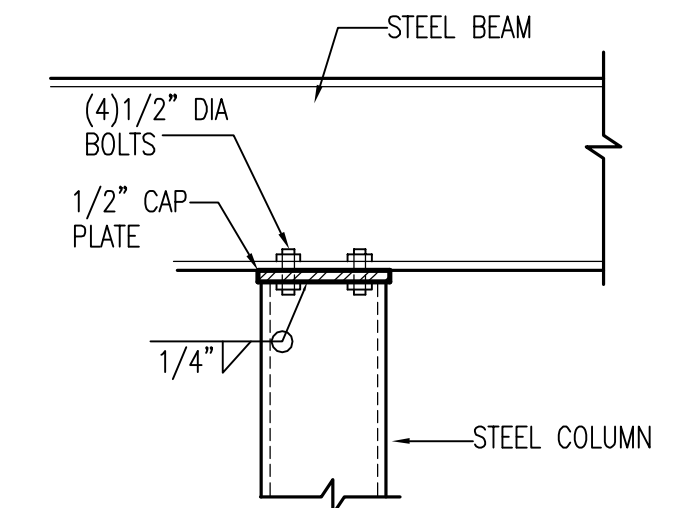


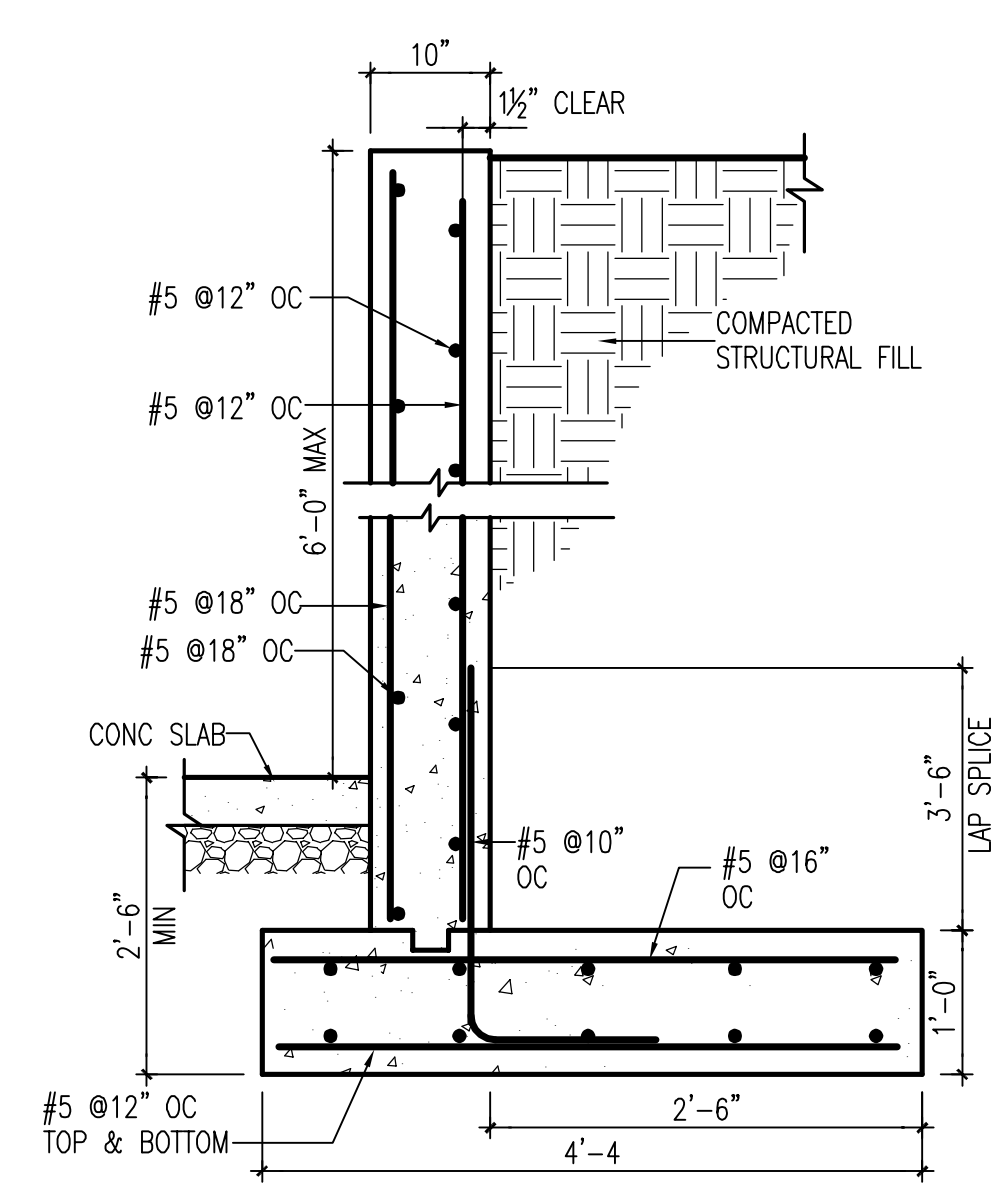
1 SECOND FLOOR FRAMING PLAN
 S3 SCALE: 1/4"=1'-0"
 NORTH



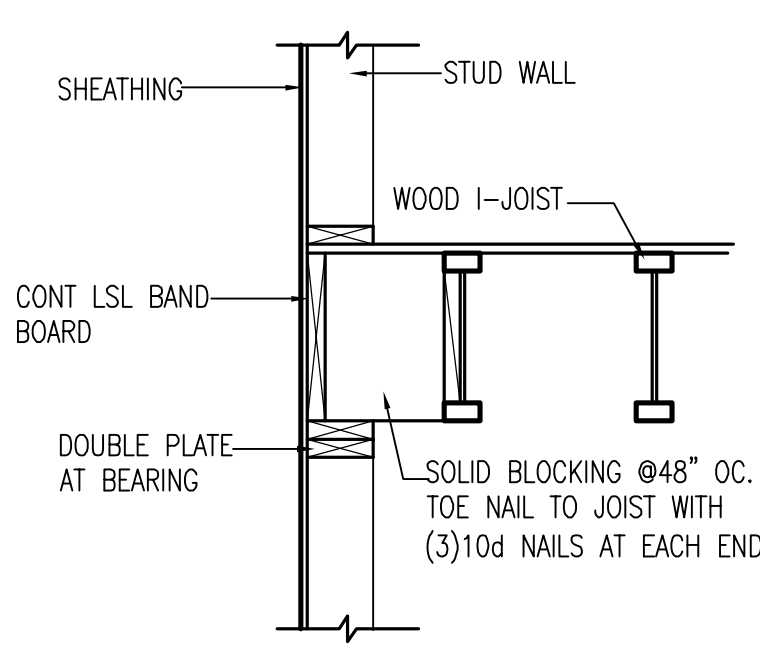
2 STEEL BEAM BEARING
 S3 SCALE: 3/4"=1'-0"



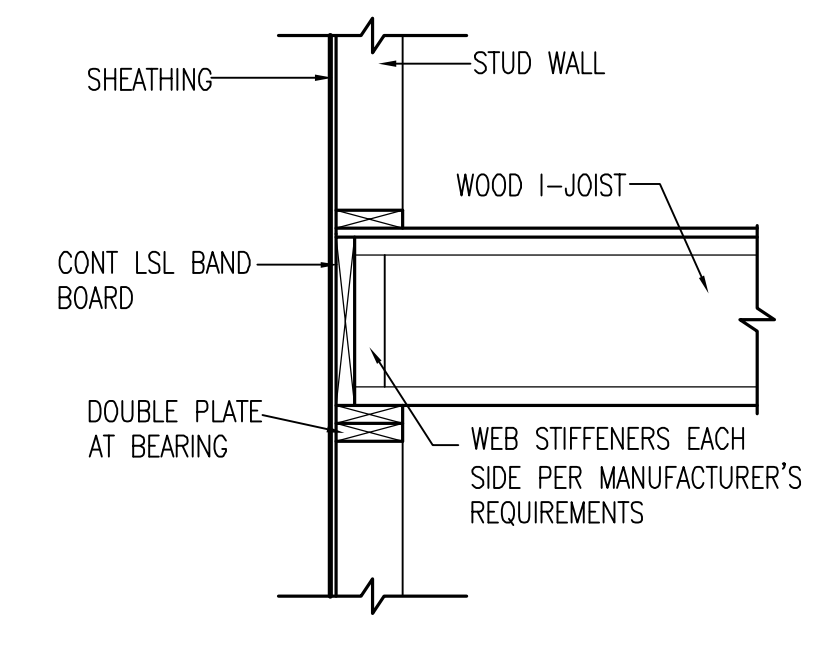
3 STEEL BEAM BEARING
 S3 SCALE: 3/4"=1'-0"



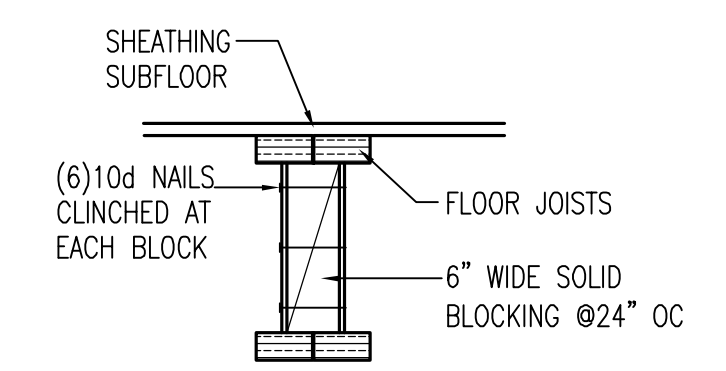
4 RETAINING WALL DETAIL
 S3 SCALE: 3/4"=1'-0"



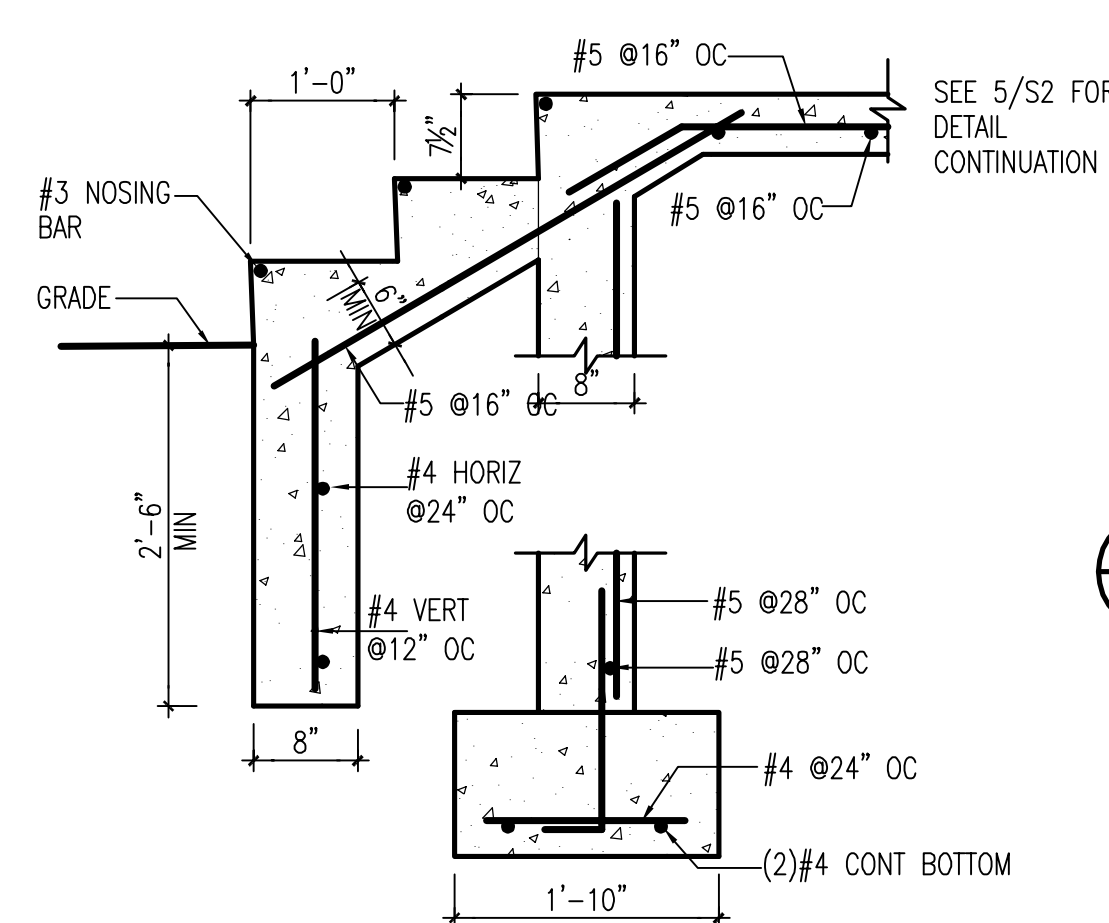
5 JOIST RIM BOARD DETAIL
 S3 SCALE: 3/4"=1'-0"



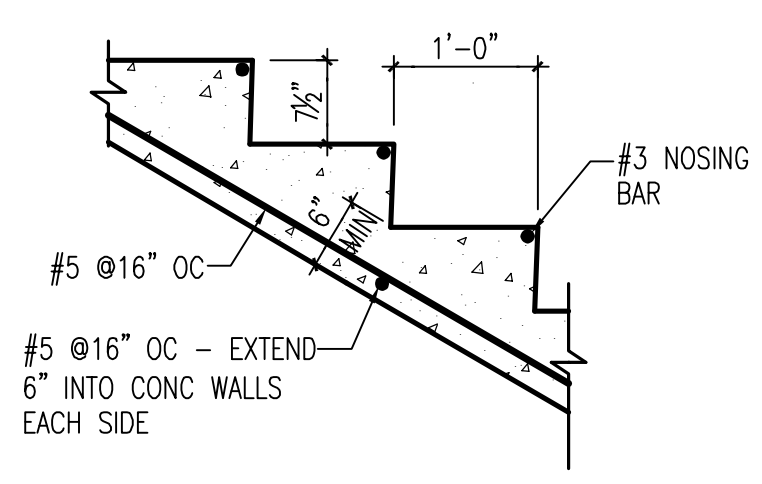
6 JOIST BEARING DETAIL
 S3 SCALE: 3/4"=1'-0"



7 DOUBLE JOIST DETAIL
 S3 SCALE: 1"=1'-0"



8 PORCH FOUNDATION
 S3 SCALE: 3/4"=1'-0"



9 STAIR DETAIL
 S3 SCALE: 3/4"=1'-0"

BEAM SCHEDULE

- 1 (2)2x12
- 2 (2)1 3/4 x 14" LVL
- 3 (2)2x10
- 4 (4)1 3/4 x 14" LVL
- 5 W10x35
- 6 W10x39
- 7 1 3/4 x 14" LVL
- 8 (3)2x10
- 9 (3)2x12
- 10 (2)1 3/4 x 9 3/4" LVL
- 11 1 3/4 x 7 3/4" LVL

COLUMN SCHEDULE

- C-1 3/2" DIA STEEL POST
- C-2 (2)2x6 WOOD POST
- C-3 4x4 WOOD POST
- C-4 6x6 WOOD POST
- C-5 4x6 WOOD POST
- C-6 (3)2x6 WOOD POST
- C-7 (2)2x4

Residence

6834 Churchill Road
 McLean, Virginia 22101

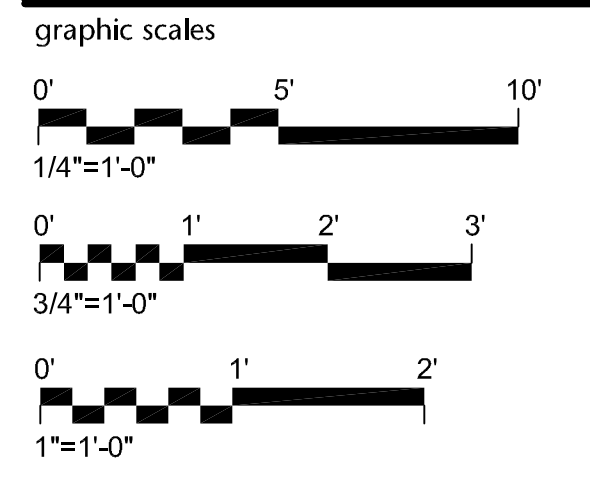
NOVITSKE ARCHITECTS

201 North Fairfax Street • Suite 33
 Alexandria VA 22034
 703 535 7899 • 703 535 8840 fax

NADER ELHAJJ

3603 McLean Avenue
 Fairfax VA 22030
 703 615 2451 • 703 563 9424 fax

- Legend**
- JOIST FLUSH CONNECTION AT BEAM
 - COLUMN DOWN
 - COLUMN UP
 - ▨ LOAD BEARING STUD WALL



project: 24711
 phase: Permit
 date: 16 January 2018
 revisions:

Second Floor Framing Plan & Details