

BEAM SCHEDULE

- 1 (2)2x12
- 2 (2)1 1/4" x 14" LVL
- 3 (2)2x10
- 4 (4)1 1/4" x 14" LVL
- 5 W10x35
- 6 W10x39
- 7 1 1/4" x 14" LVL
- 8 (3)2x10
- 9 (3)2x12

COLUMN SCHEDULE

- C-1 3/2" DIA STEEL POST
- C-2 (2)2x6 WOOD POST
- C-3 4x4 WOOD POST
- C-4 6x6 WOOD POST
- C-5 4x6 WOOD POST
- C-6 (3)2x6 WOOD POST
- C-7 (2)2x4

Residence

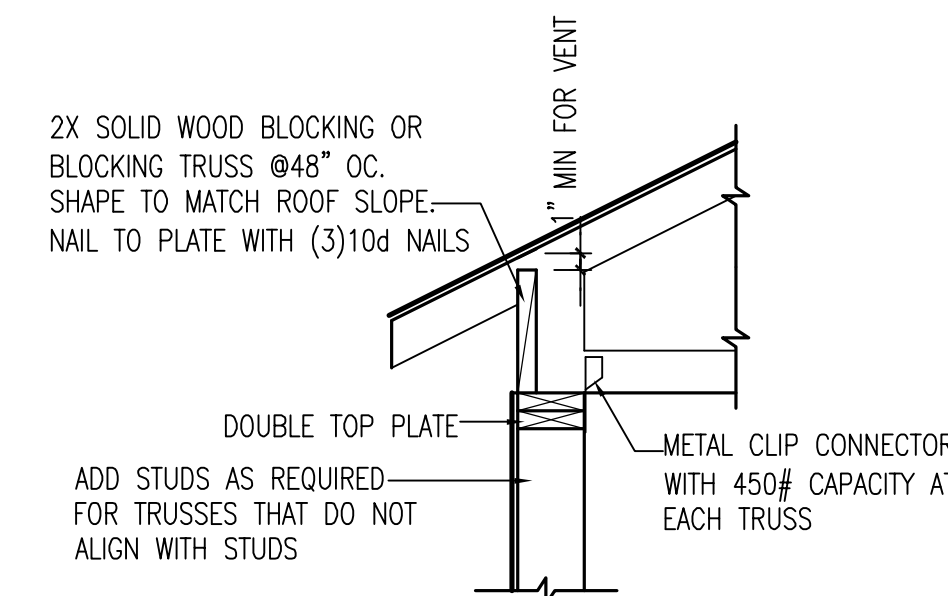
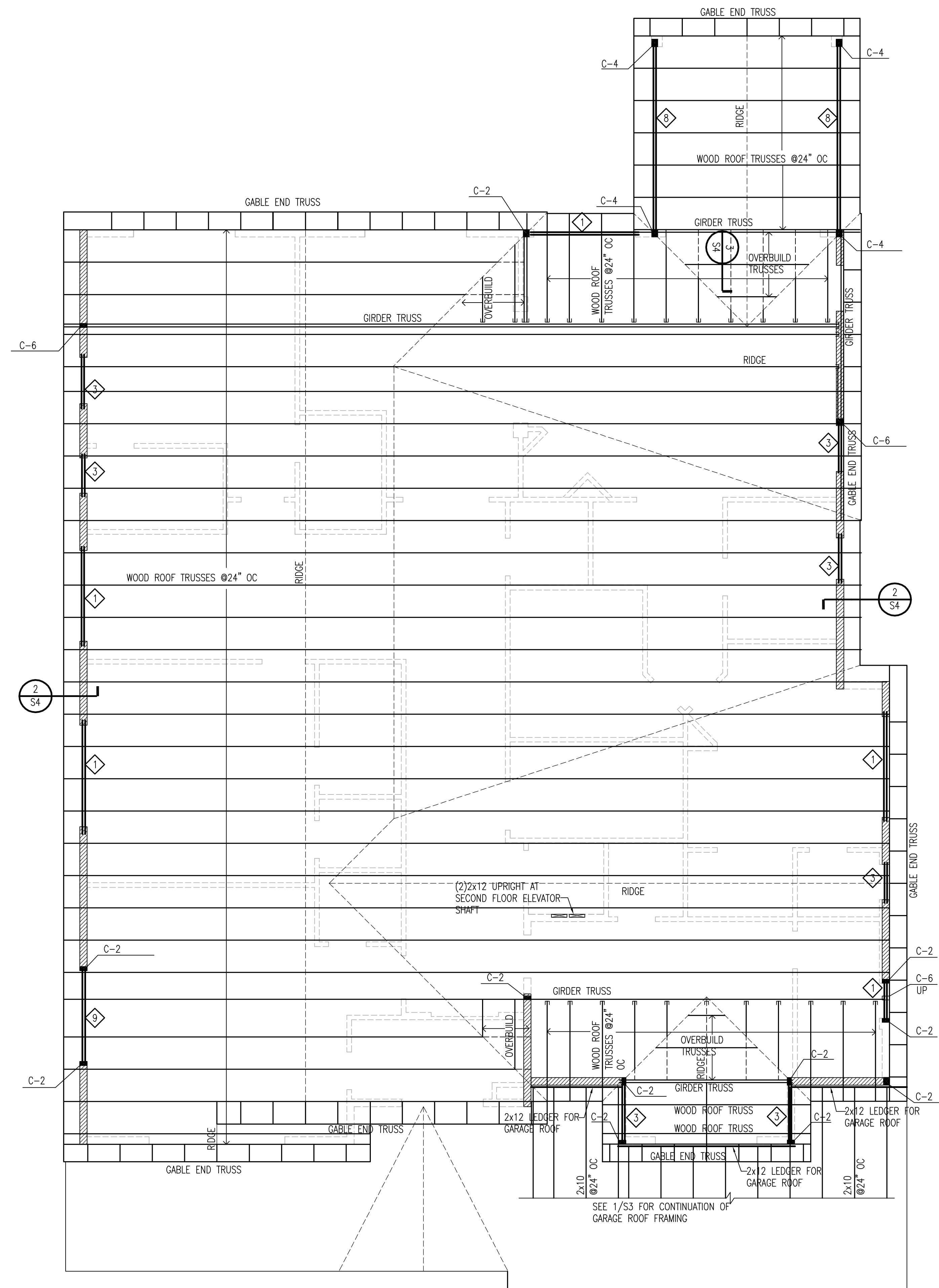
6834 Churchill Road
McLean, Virginia 22101

NOVITSKE ARCHITECTS

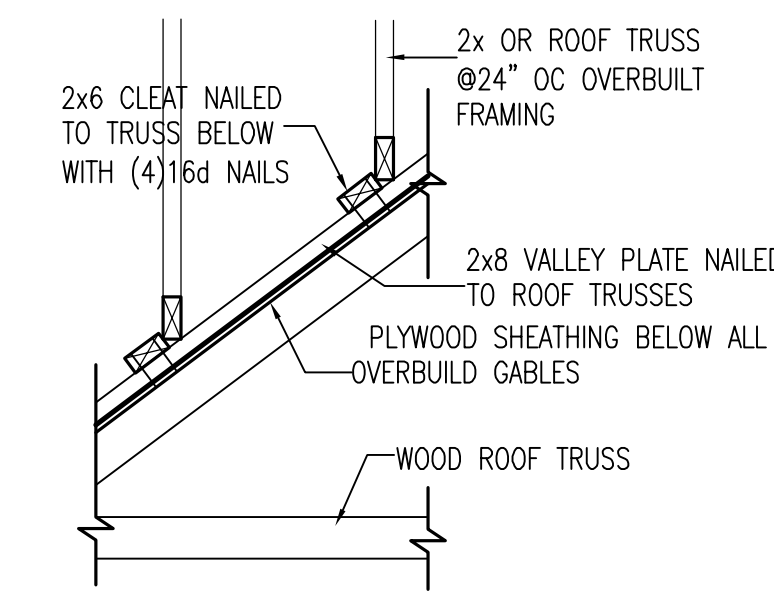
201 North Fairfax Street • Suite 33
Alexandria VA 22314
703 535 7899 • 703 535 8840 fax

NADER ELHAJJ

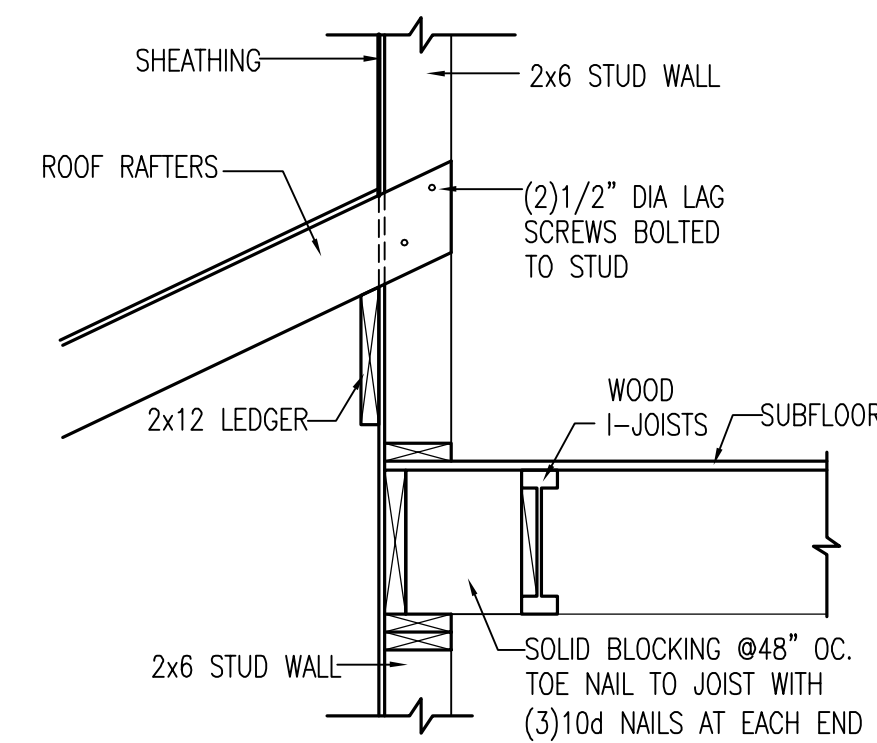
3603 McLean Avenue
Fairfax VA 22030
703 615 2451 • 703 563 9424 fax



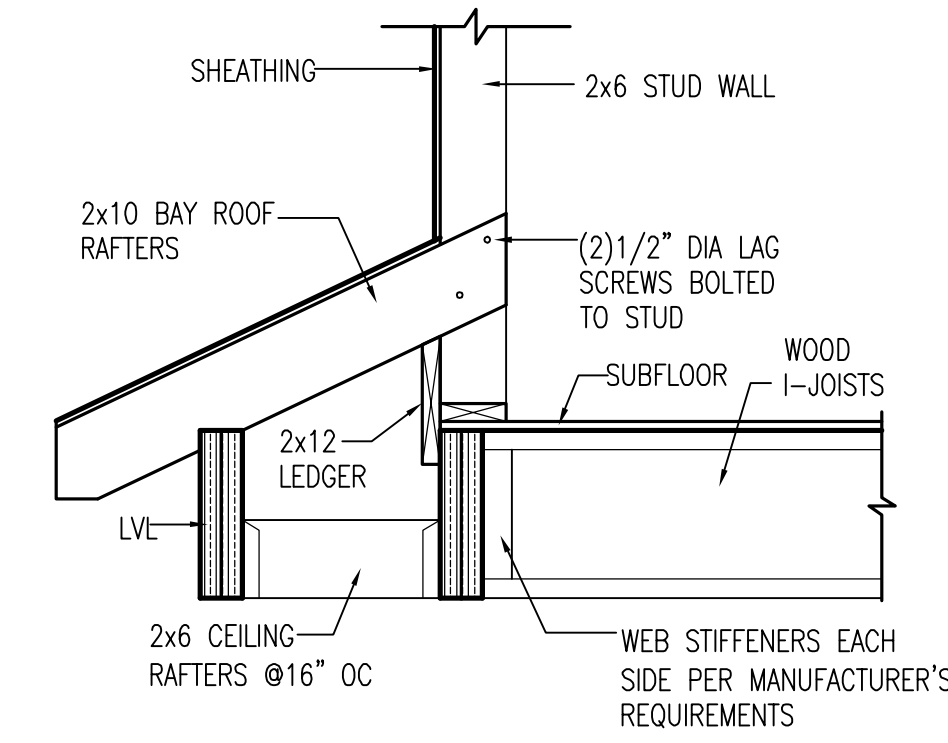
2 TRUSS BEARING
S4 SCALE: 3/4"=1'-0"



3 OVERBUILD DETAIL
S4 SCALE: 3/4"=1'-0"

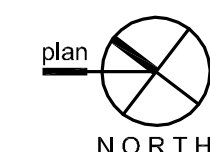


4 PORCH ROOF BEARING
S4 SCALE: 3/4"=1'-0"

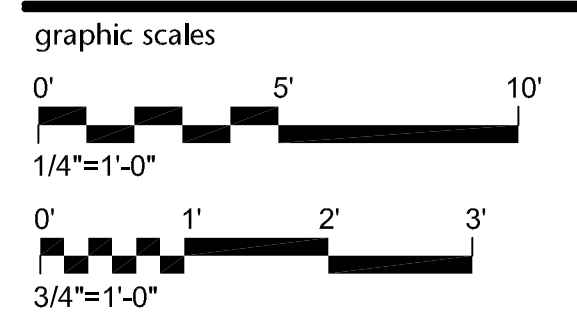


5 BAY ROOF DETAIL
S4 SCALE: 3/4"=1'-0"

1 ROOF FRAMING PLAN
S4 SCALE: 1/4"=1'-0"



- Legend
- JOIST FLUSH CONNECTION AT BEAM
 - COLUMN DOWN
 - COLUMN UP
 - ▨ LOAD BEARING STUD WALL



project: 24711
phase: Permit
date: 16 January 2018
revisions:

Roof Framing Plan

S4