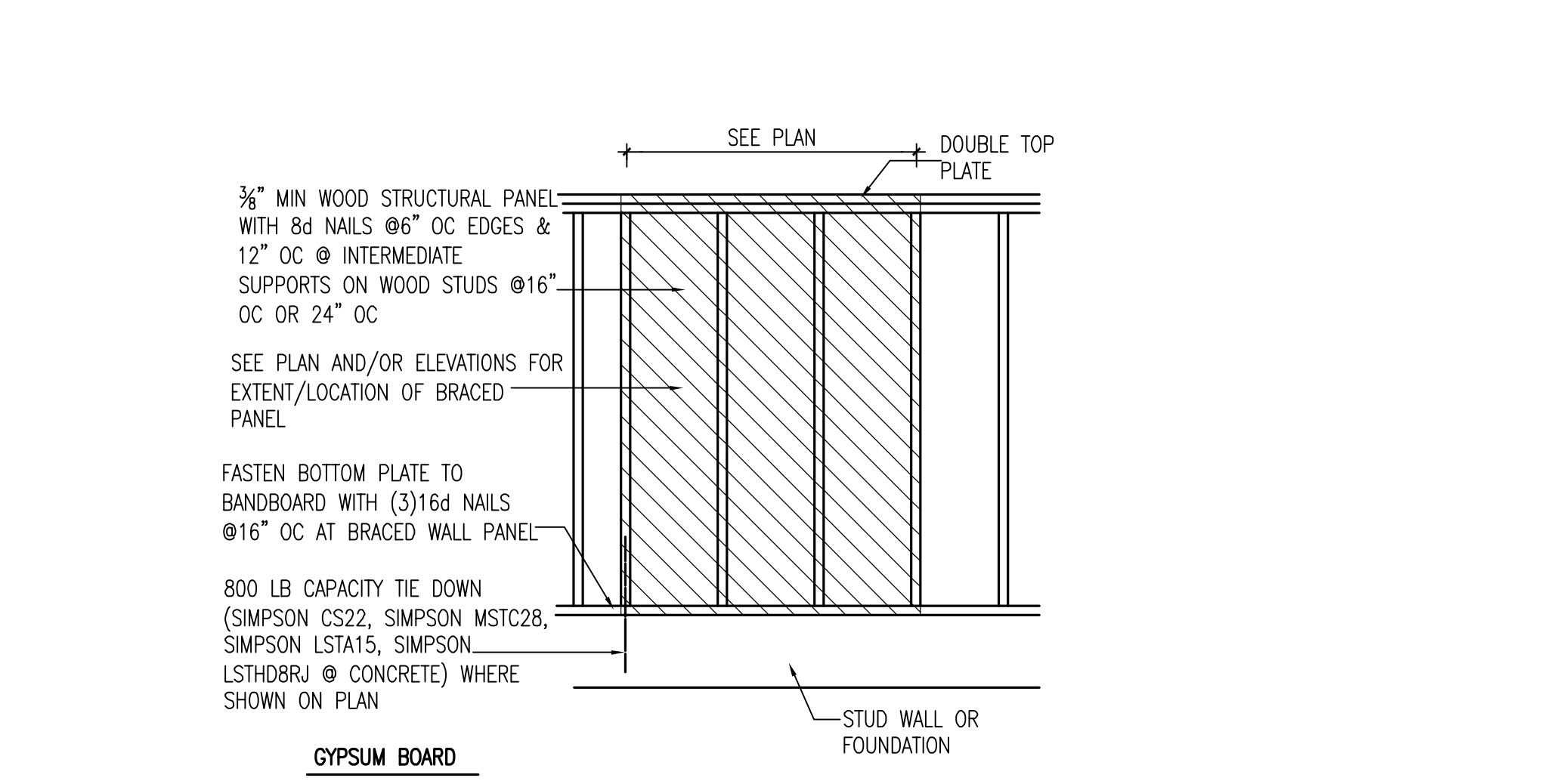
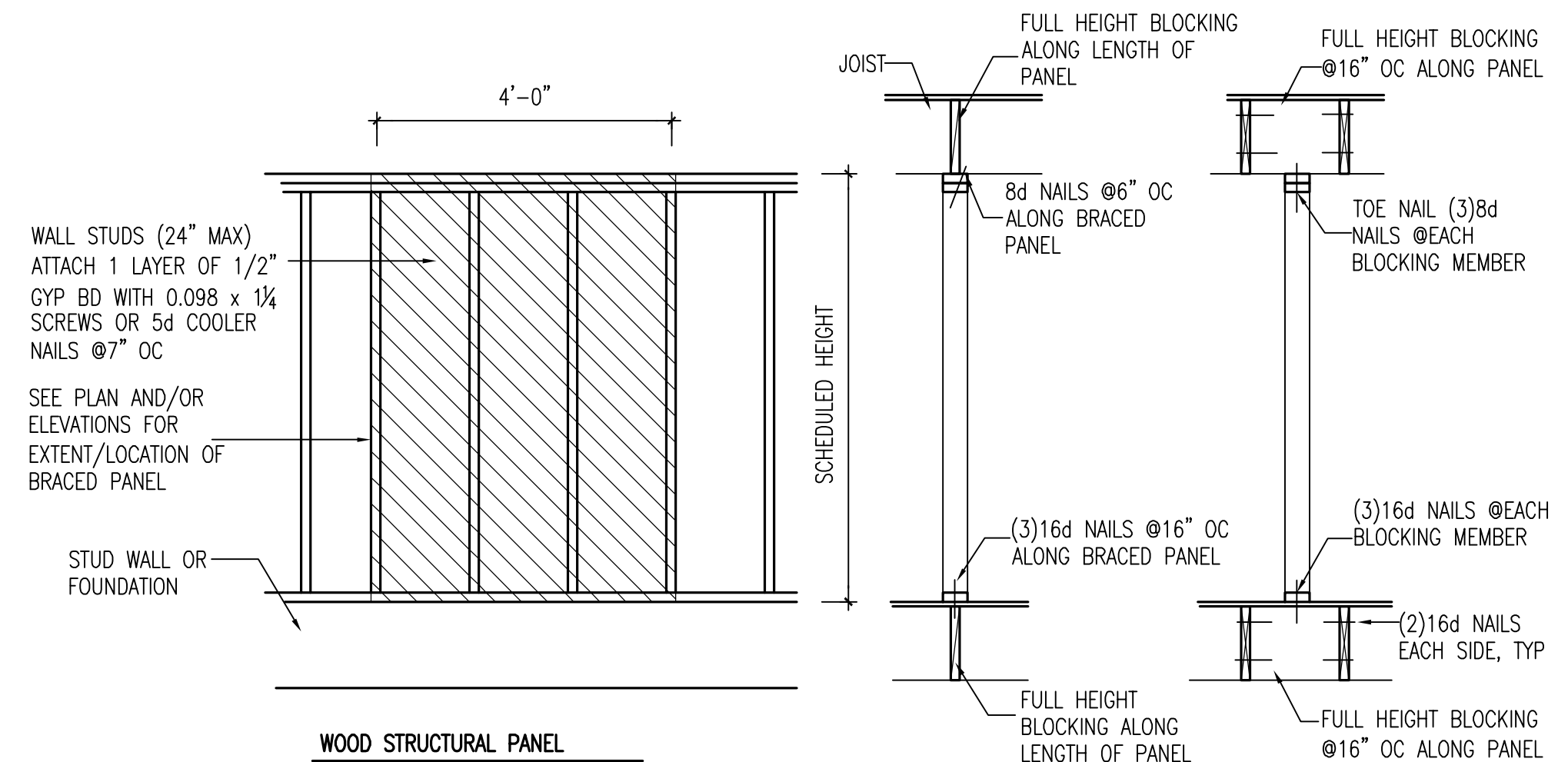


1 FIRST FLOOR BRACING PLAN
SCALE: 1/4"=1'-0"

2 SECOND FLOOR BRACING PLAN
SCALE: 1/4"=1'-0"



BRACING NOTES

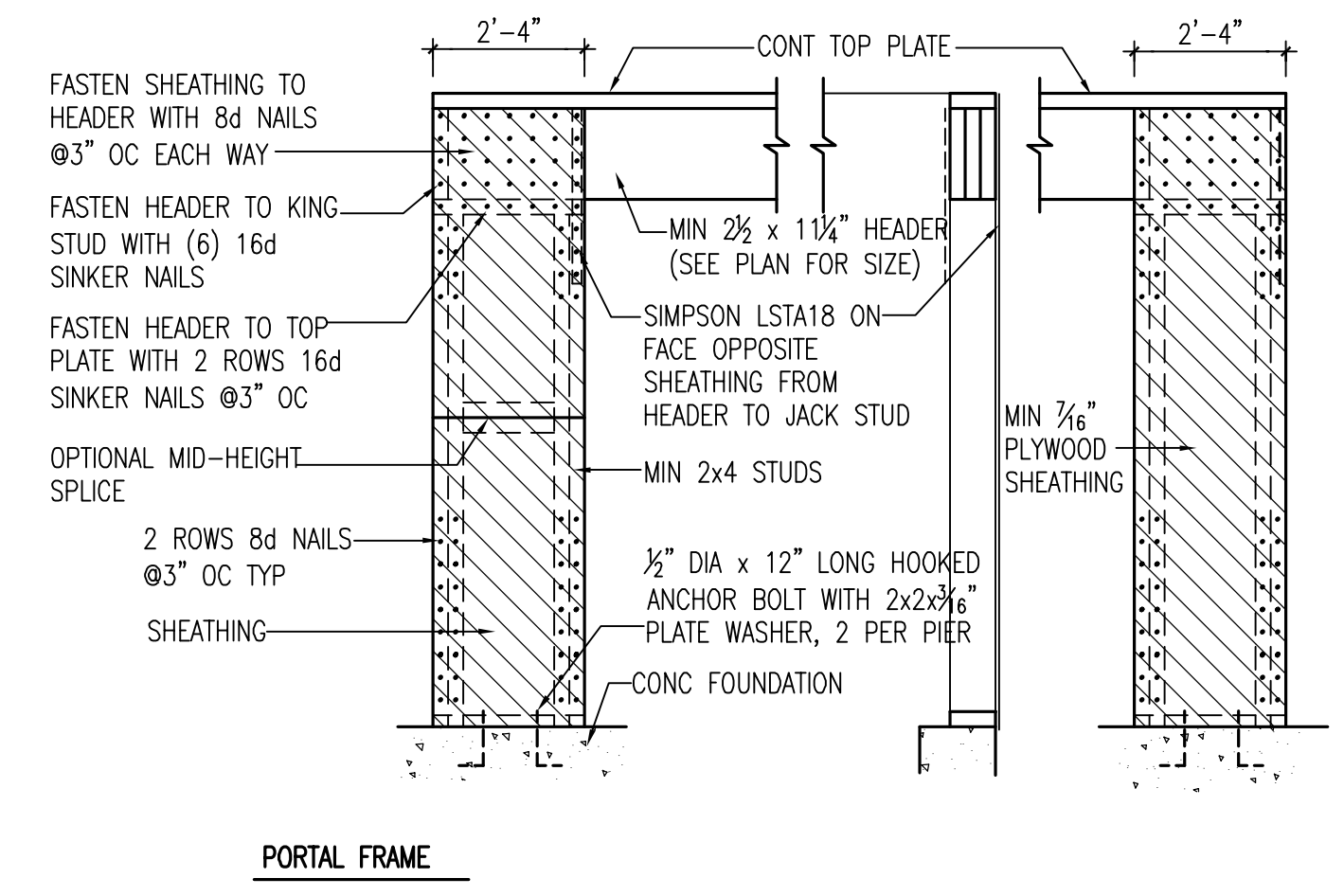
1. WIND BRACING METHOD PER 2012 IBC SECTION R602.10.
2. BRACING METHOD: CLASSICAL METHOD WITH SC-WSP (3/8" OSB) UNO.
3. A BRACED WALL PANEL SHALL BEGIN WITHIN 12 FEET FROM EACH END OF A BRACED WALL LINE.
4. MAXIMUM BRACED WALL LINE OFFSET UP TO 04 FEET.
5. THE DISTANCE BETWEEN BRACED WALL PANELS ALONG A BRACED WALL LINE SHALL BE NO GREATER THAN 20 FEET.
6. EACH END OF A BRACED WALL LINE WITH CONTINUOUS SHEATHING MUST HAVE A 24-INCH PANEL ON BOTH SIDES OF A CORNER OR 800 POUND HOLD-DOWN DEVICE.

FIRST FLOOR BRACING CALCULATION

BWL NO.	LOCATION	BRACING TYPE	SPACING BET. BWLS	MINIMUM BRACED PANEL	FACTORS			REQUIRED BRACED PANELS	AVAILABLE BRACED PANELS	COMMENTS
					WALL HEIGHT	ROOF NO. OF BWLS	NO. OF BWLS			
1	FIRST FLOOR	CS-WSP	48.6'	14.5'	1.0	1.09	1	15.42'	26.33'	OK
2	FIRST FLOOR	CS-WSP	48.6'	14.5'	1.0	1.09	1	15.42'	39.73'	OK
A	FIRST FLOOR	CS-WSP	26.9'	8.22'	1.0	1.18	1.3	11.65'	26.9'	OK
B	FIRST FLOOR	GB	32.5'	19.87'	1.0	1.09	1.3	28.16'	32.5'	OK
C	FIRST FLOOR	CS-WSP	32.5'	9.75'	1.0	1.09	1.3	13.82'	16.33'	OK

SECOND FLOOR BRACING CALCULATION

BWL NO.	LOCATION	BRACING TYPE	SPACING BET. BWLS	MINIMUM BRACED PANEL	FACTORS			REQUIRED BRACED PANELS	AVAILABLE BRACED PANELS	COMMENTS
					WALL HEIGHT	ROOF NO. OF BWLS	NO. OF BWLS			
3	SECOND FLOOR	CS-WSP	48.6'	7.29'	0.95	1.18	1	8.17'	31.4'	OK
4	SECOND FLOOR	CS-WSP	48.6'	7.29'	0.95	1.18	1	8.17'	33.9'	OK
D	SECOND FLOOR	CS-WSP	26.9'	4.53'	0.95	1.18	1.3	6.60'	20.0'	OK
E	SECOND FLOOR	GB	28.5'	9.12'	0.95	1.18	1.3	13.29'	23.8'	OK
F	SECOND FLOOR	CS-WSP	29.5'	4.77'	0.95	1.18	1.3	6.95'	30.3'	OK



Residence

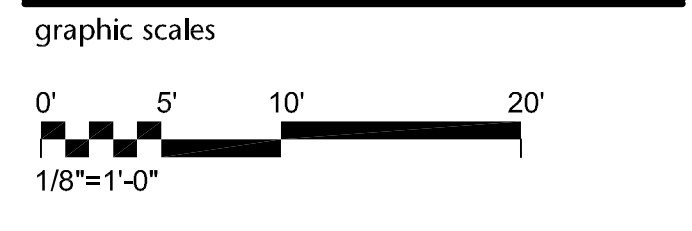
6834 Churchill Road
McLean, Virginia 22101

NOVITSKE ARCHITECTS

201 North Fairfax Street • Suite 33
Alexandria VA 22314
703 535 7899 • 703 535 8840 fax

NADER ELHAJJ

3603 McLean Avenue
Fairfax VA 22030
703 615 2451 • 703 563 9424 fax



project: 24711
phase: Permit
date: 16 January 2018
revisions: