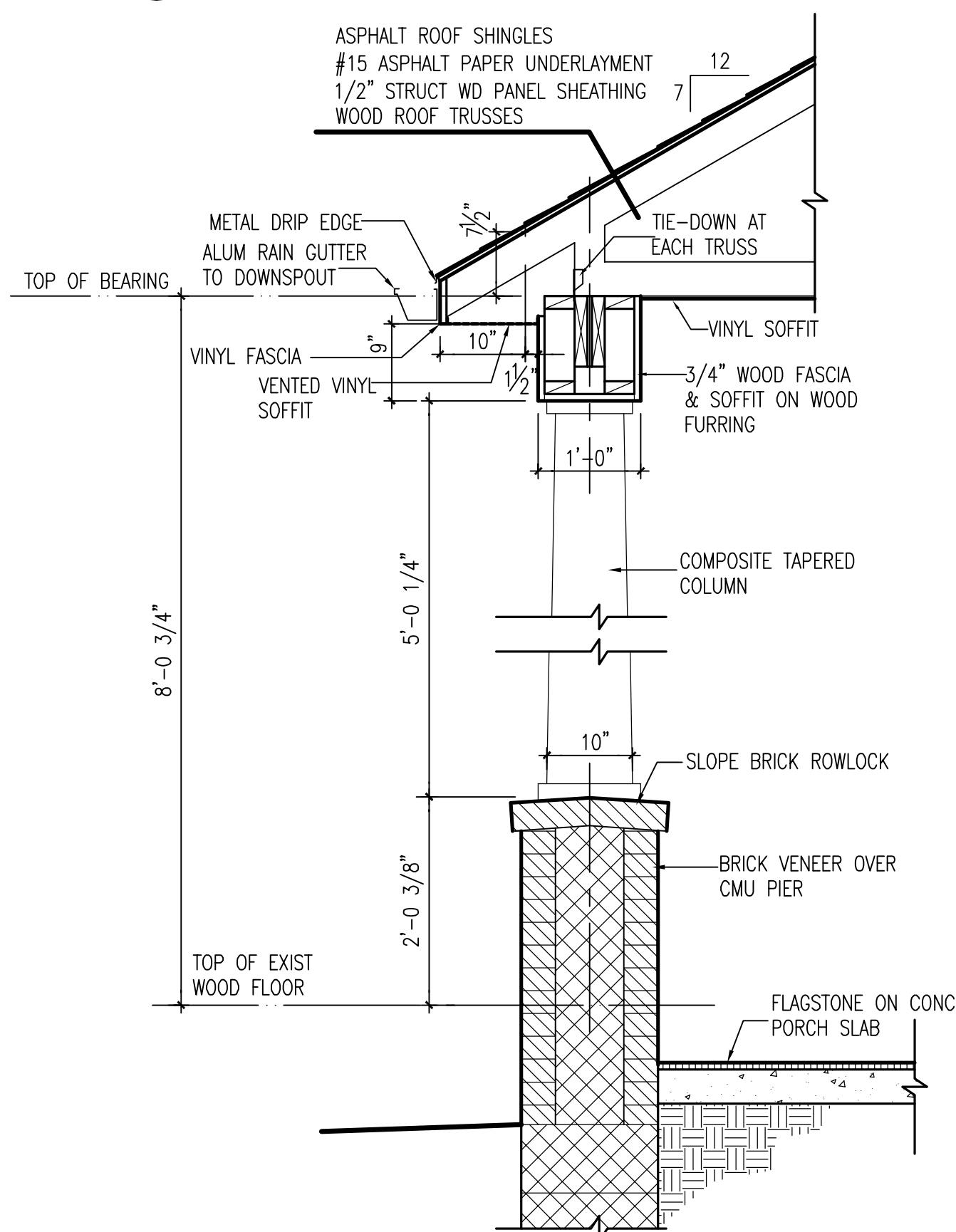
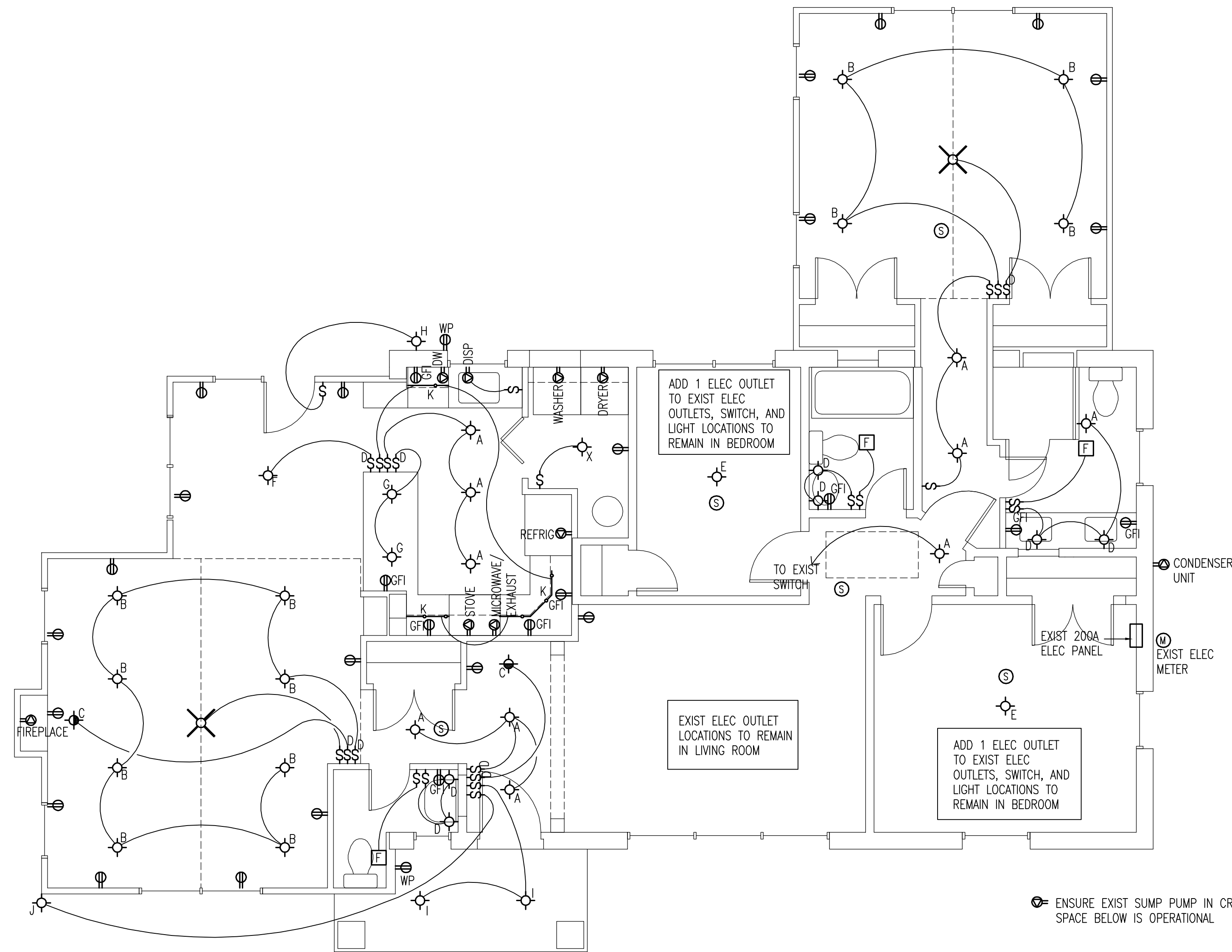


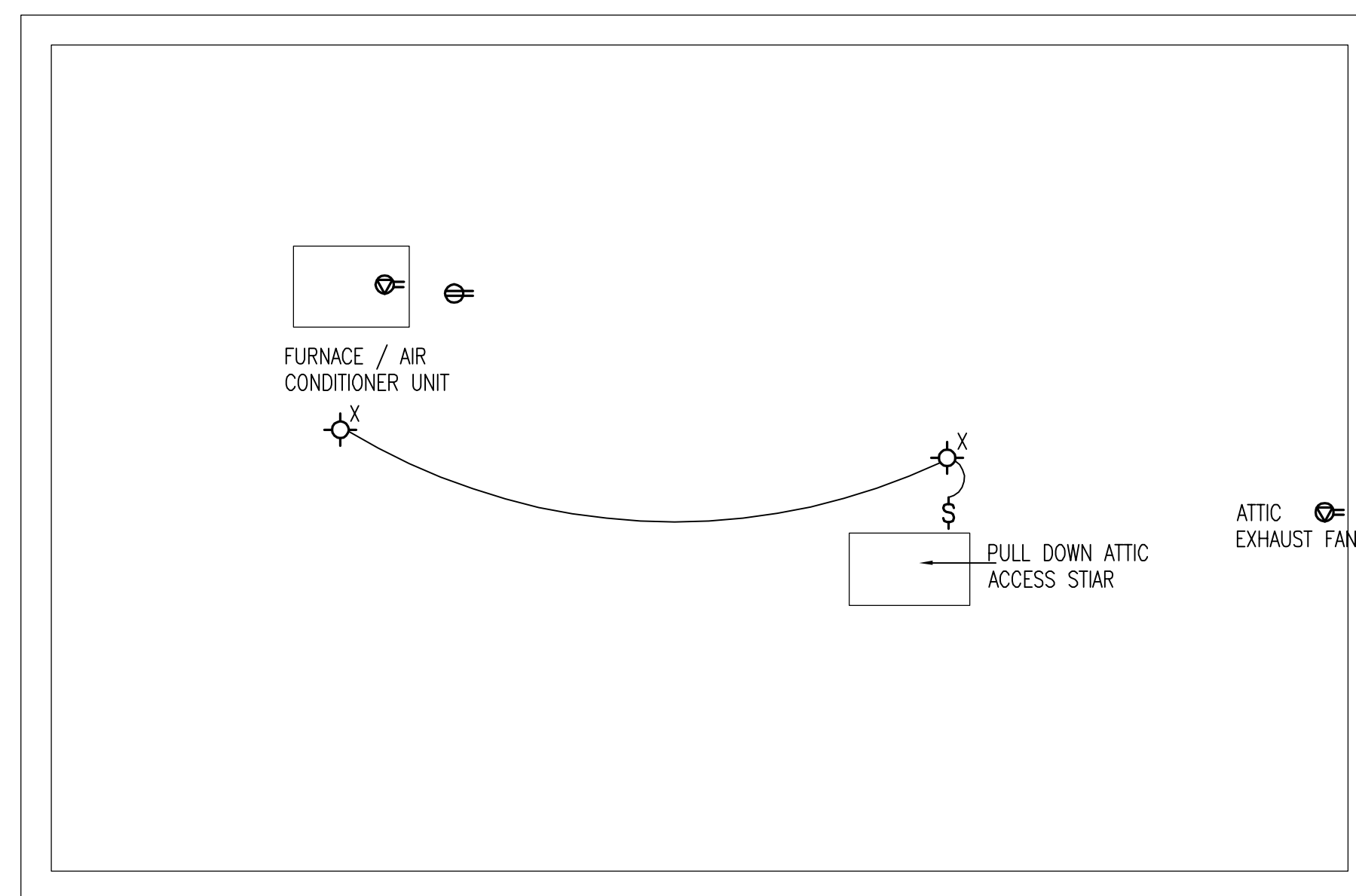
**1 TYPICAL WALL SECTION**  
SCALE: 3/4"=1'-0"



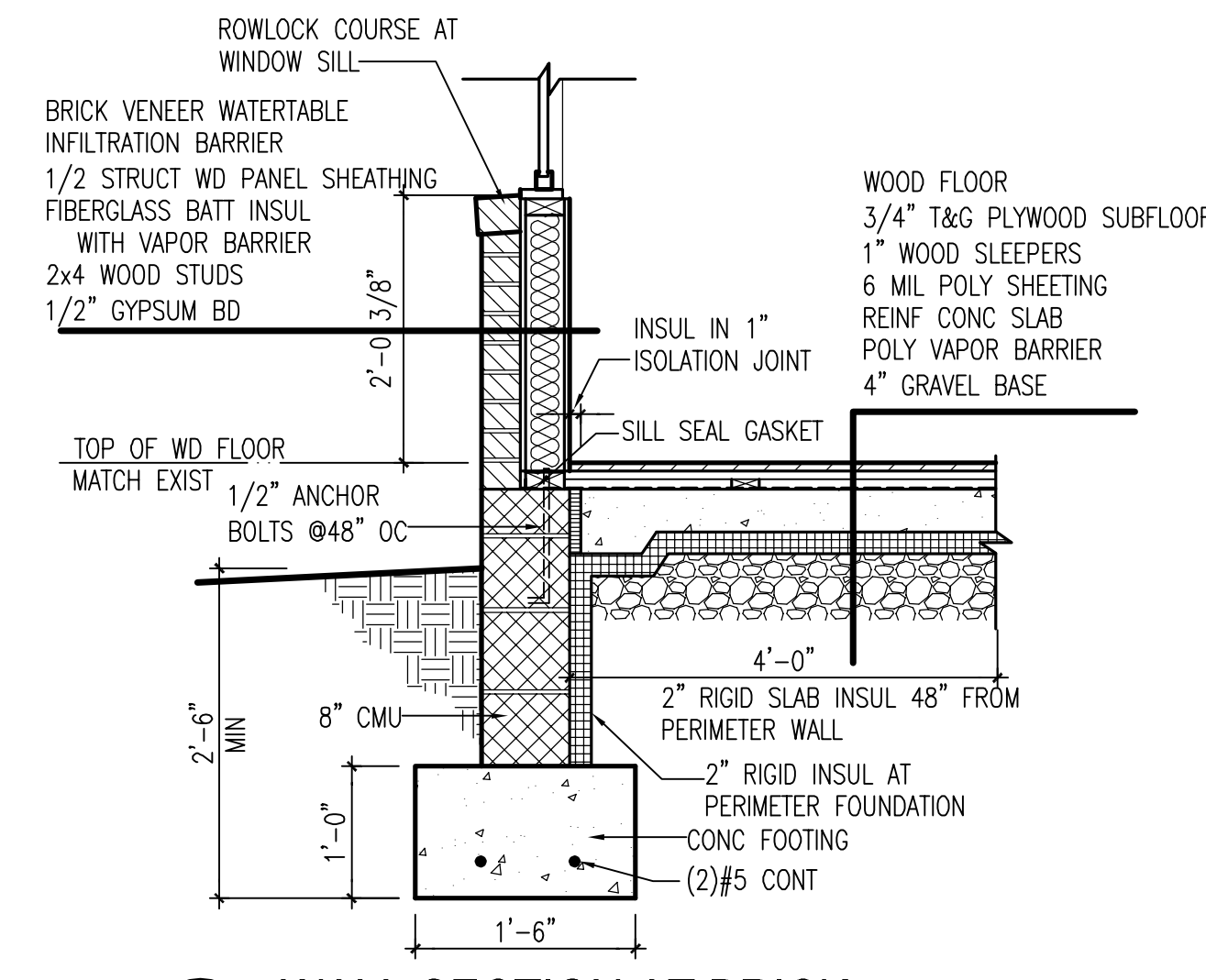
**3 WALL SECTION AT PORCH**  
SCALE: 3/4"=1'-0"



**2 FIRST FLOOR ELECTRICAL PLAN**  
SCALE: 1/4"=1'-0"



**4 ATTIC ELECTRICAL PLAN**  
SCALE: 1/4"=1'-0"



**5 WALL SECTION AT BRICK**  
SCALE: 3/4"=1'-0"

**LIGHT FIXTURE SCHEDULE**

- A CEILING RECESSED DOWNLIGHT
- B CEILING RECESSED DOWNLIGHT FOR SLOPED CEILING
- C CEILING RECESSED WALL WASHER
- D WALL SCONCE
- E EXISTING SURFACE MOUNTED CEILING FIXTURE TO REMAIN
- F CEILING MOUNTED PENDANT CHANDELIER
- G CEILING MOUNTED MINI PENDANT
- H EXTERIOR WALL MOUNTED FIXTURE
- I EXTERIOR RECESSED DOWNLIGHT
- J EXISTING FLOODLIGHT RELOCATED
- K LINEAR UNDERCABINET FIXTURE
- X EXISTING SURFACE MOUNTED FIXTURE RELOCATED

**SYMBOLS LEGEND**

- ⊕ DUPLEX ELECTRIC OUTLET
- GFI ⊕ GROUND FAULT INTERRUPT CIRCUIT
- ⊕ SWITCHED OUTLET
- ⊕ QUAD ELECTRIC OUTLET
- WP ⊕ WATERPROOF ELECTRIC OUTLET
- ⊕ SPECIAL ELECTRIC CONNECTION
- ⊕ FLOOR RECESSED DUPLEX ELECTRIC OUTLET
- ⊕ SWITCH
- ⊕ DIMMER SWITCH
- ⊕ DOOR JAMB SWITCH
- ⊕ LIGHT FIXTURE
- ⊕ WALL WASHER LIGHT
- ⊕ STRIP LIGHT (UNDERCABINET, COVE)
- ⊕ CEILING FAN
- ⊕ SMOKE & CARBON MONOXIDE DETECTOR
- ⊕ EXHAUST FAN

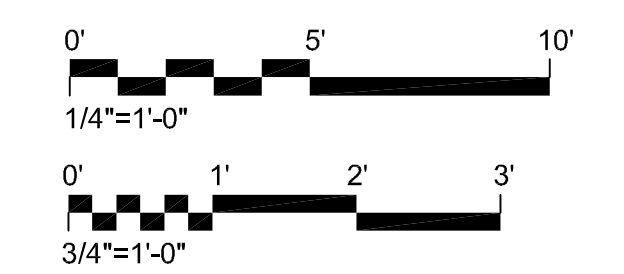
**Residence**  
Addition & Alterations

8017 Fairfax Road  
Alexandria, Virginia 22308

**NOVITSKE ARCHITECTS**

201 North Fairfax Street • Suite 33  
Alexandria VA 22314  
703 535 7899 • 703 535 8840 fax

**graphic scales**



project: 23609  
phase: Permit  
date: 14 September 2016  
revisions: 11 November 2016

**Wall Sections & Electrical Plans**