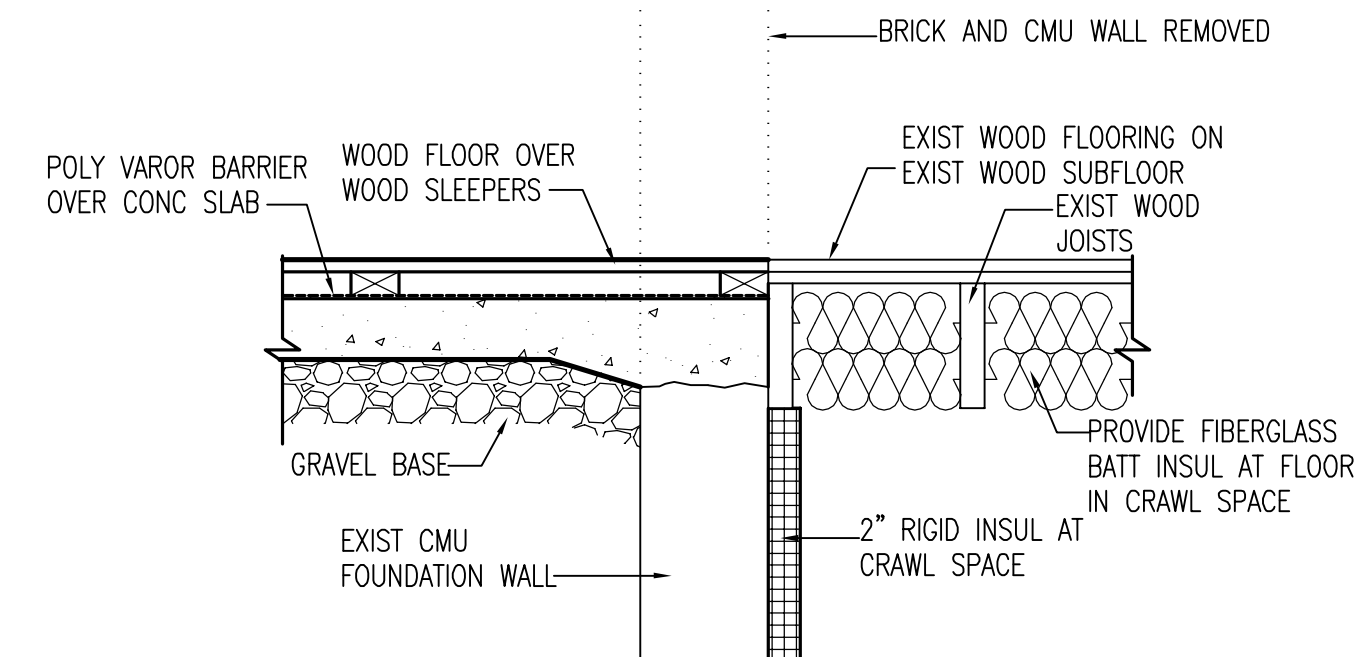
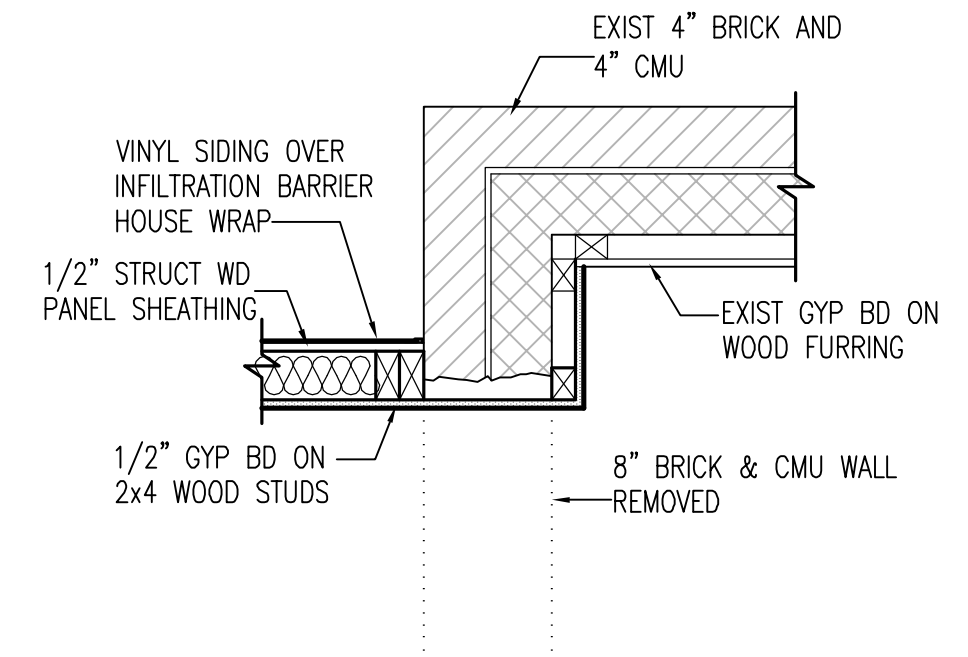


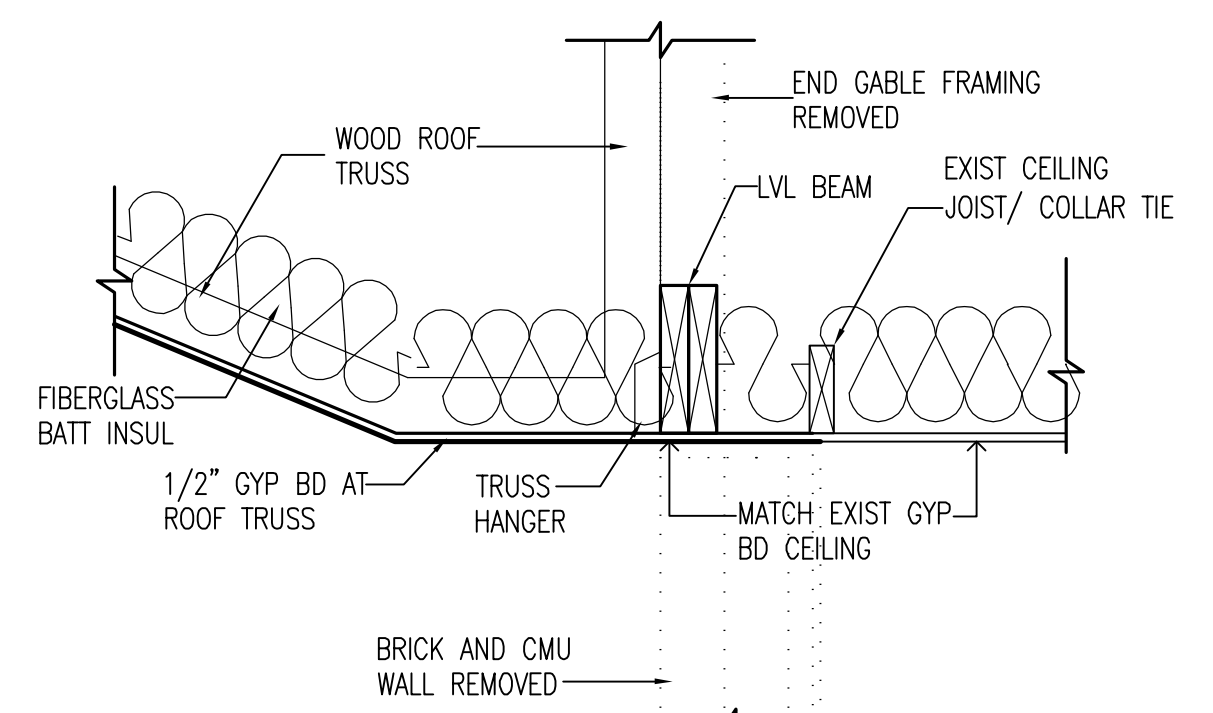
**1 FIRST FLOOR BRACING PLAN**  
SCALE: 1/4"=1'-0"  
plan



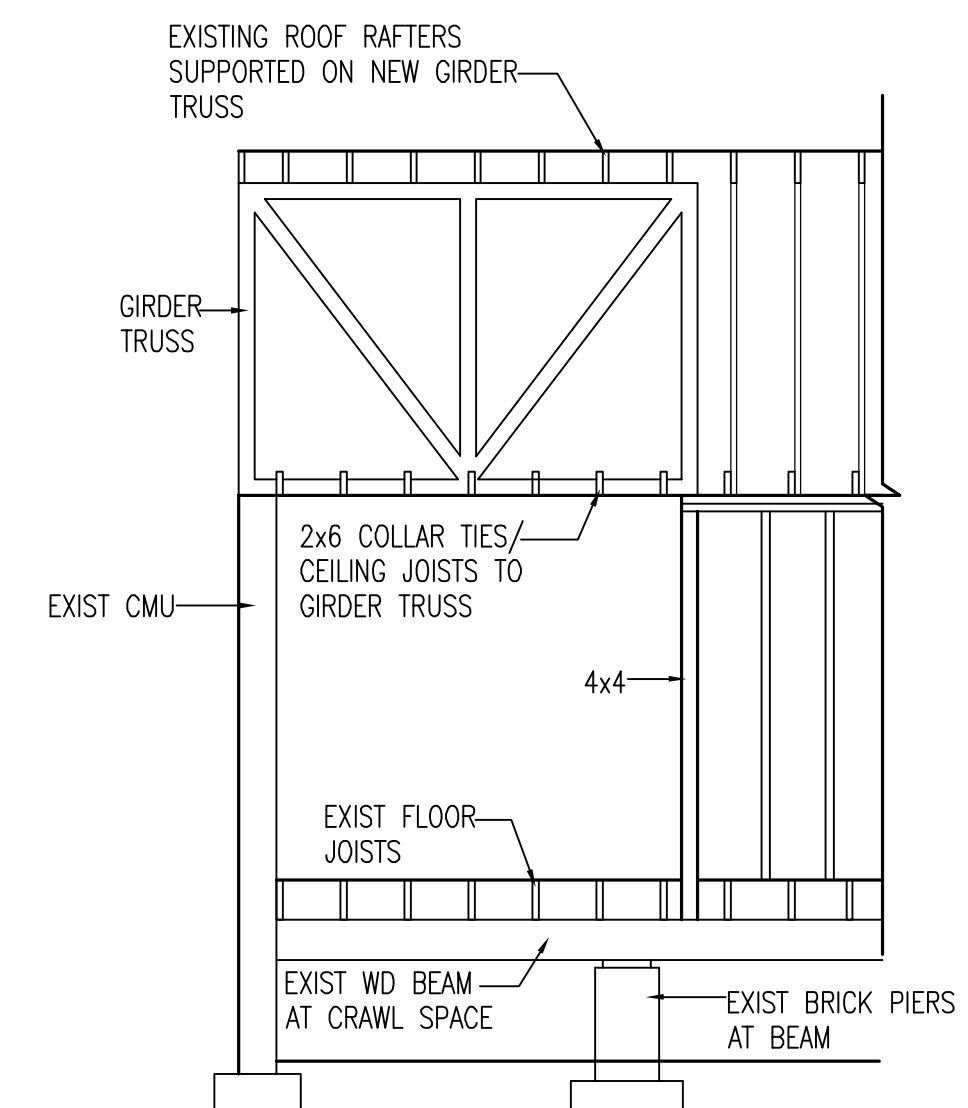
**2 SLAB EDGE DETAIL**  
SCALE: 1"=1'-0"



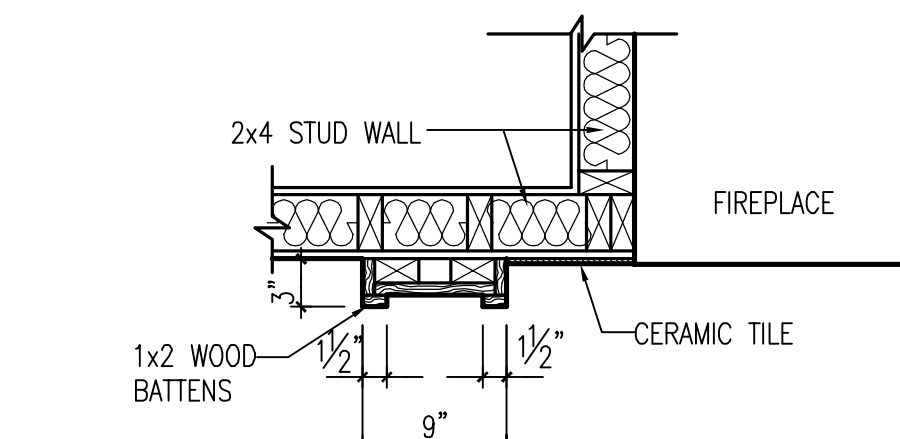
**3 WALL TIE-IN PLAN DETAIL**  
SCALE: 1"=1'-0"



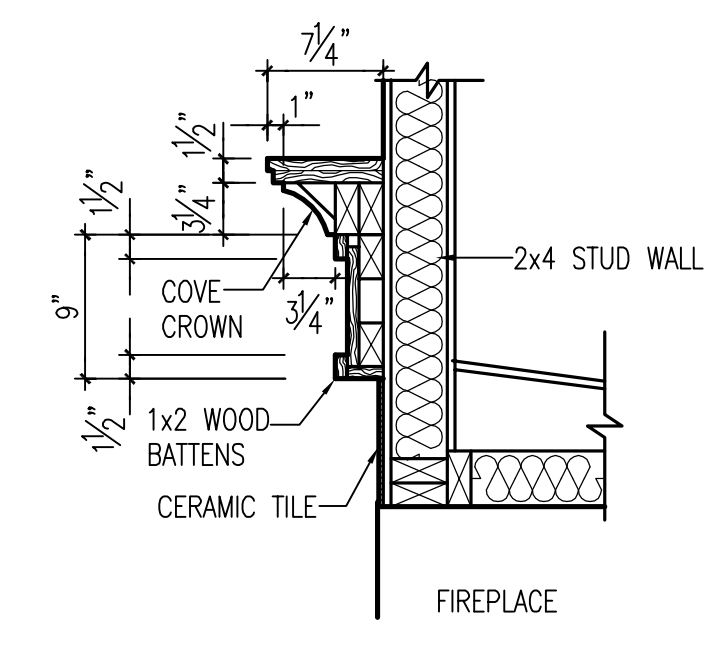
**4 CEILING DETAIL**  
SCALE: 1"=1'-0"



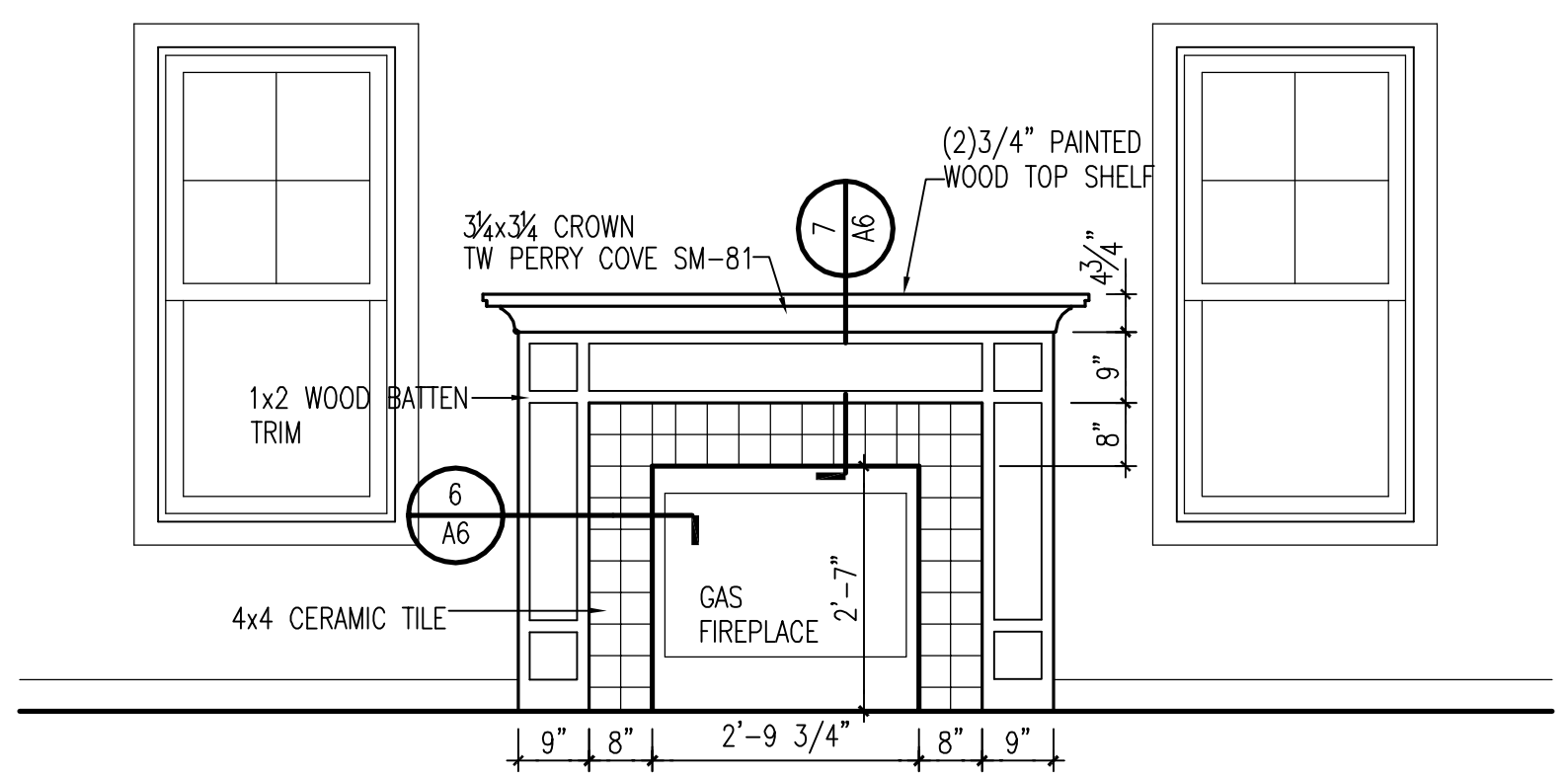
**5 GIRDER TRUSS**  
SCALE: 1/4"=1'-0"



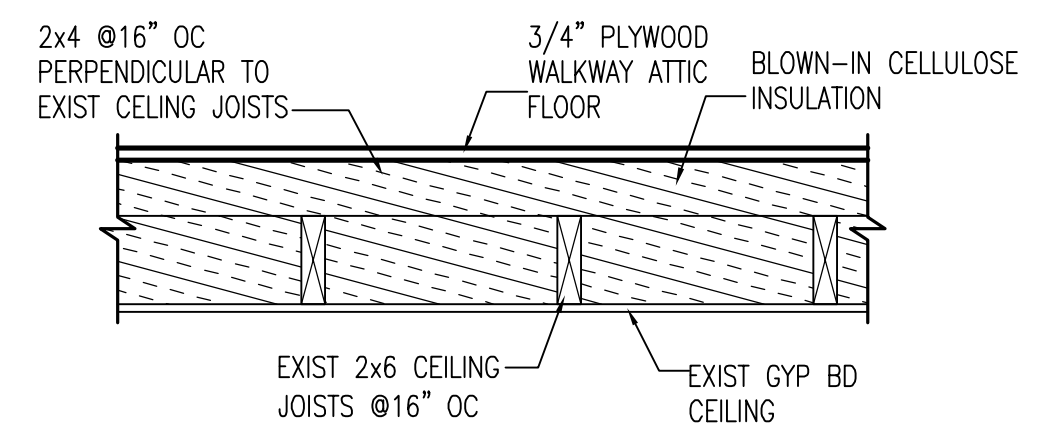
**6 FIREPLACE MANTEL DETAIL**  
SCALE: 1"=1'-0"



**7 FIREPLACE MANTEL DETAIL**  
SCALE: 1"=1'-0"

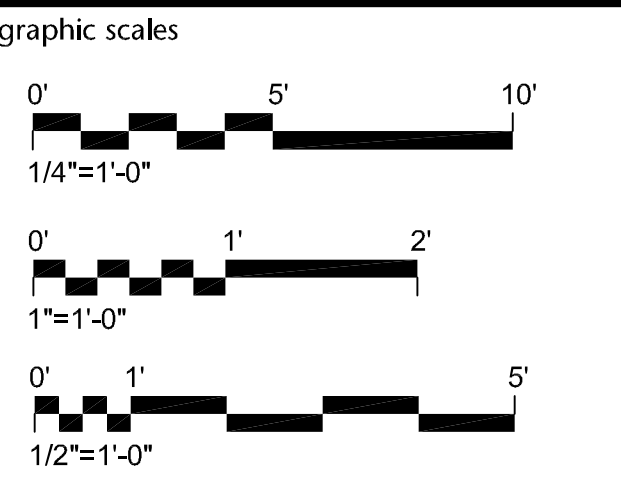


**8 FIREPLACE ELEVATION**  
SCALE: 1/2"=1'-0"



**9 ATTIC FLOOR DETAIL**  
SCALE: 1"=1'-0"

BRACING CALCULATIONS									
WALL NO.	BRACING TYPE	BWL SPACING	REQUIRED	ADJUSTMENT FACTORS		NO. OF BWL	ADJUSTED BRACING LENGTH	AVAILABLE BRACING LENGTH	REMARKS
				WALL HT	ROOF HT				
A	CS-WSP	16.9'	3.03'	0.9	0.77	1	2.10'	9.75'	OK
B	EXIST MASONRY								OK
C	CS-WSP	16.0'	2.9'	0.9	0.77	1	0.87'	9.25'	OK
D	CS-WSP	16.0'	2.9'	0.9	0.77	1	2.01'	16.9'	OK
E	CS-WSP	16.25'	2.94'	0.9	0.77	1.3	2.65'	6.75'	OK
F	GB	16.26'	5.69'	0.9	0.77	1.3	5.13'	7.25'	OK
G	CS-WSP	25.5'	4.32'	0.9	0.77	1.3	3.89'	6.75'	OK
H	CS-WSP	25.5'	4.32'	0.9	0.77	1.3	3.89'	10.75'	OK



project: 23609  
phase: Permit  
date: 14 September 2016  
revisions: 27 November 2016