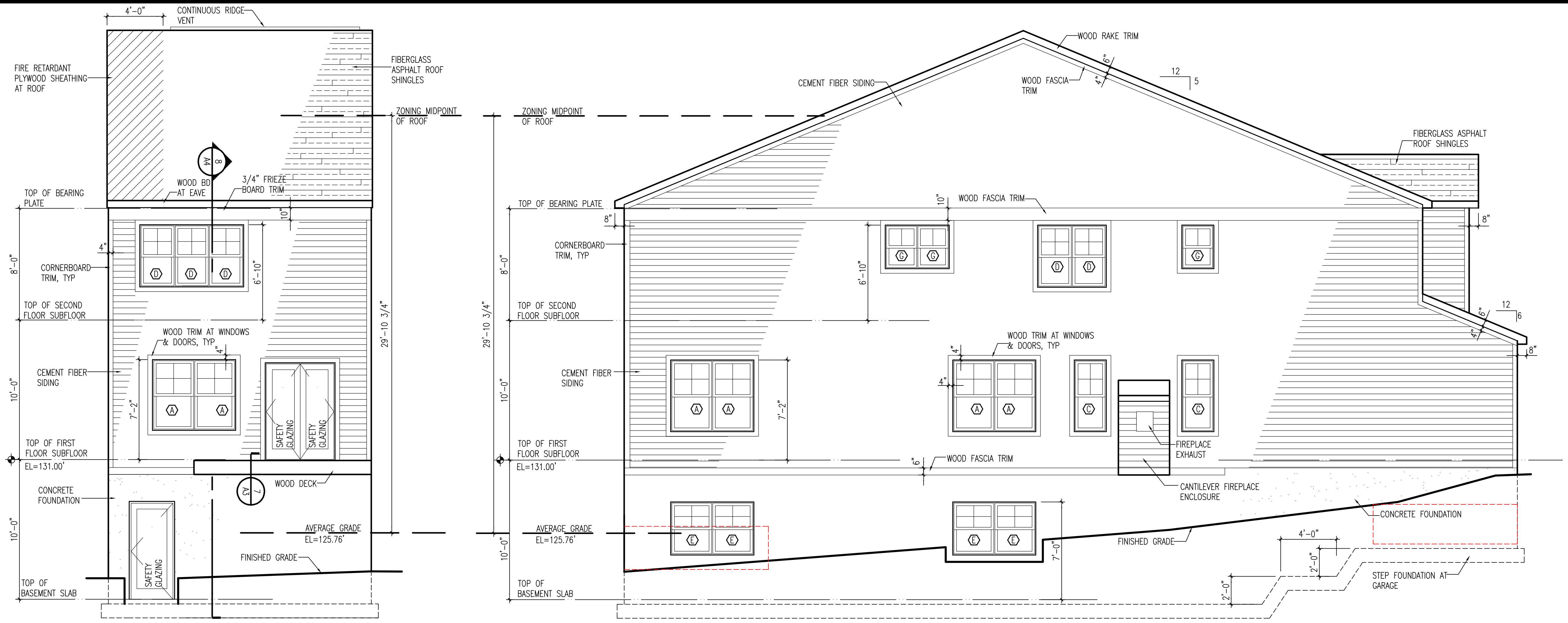


**Townhouse Residence**

Unit 1  
2017 & 2022 South Kenmore Street  
Arlington, Virginia 22204

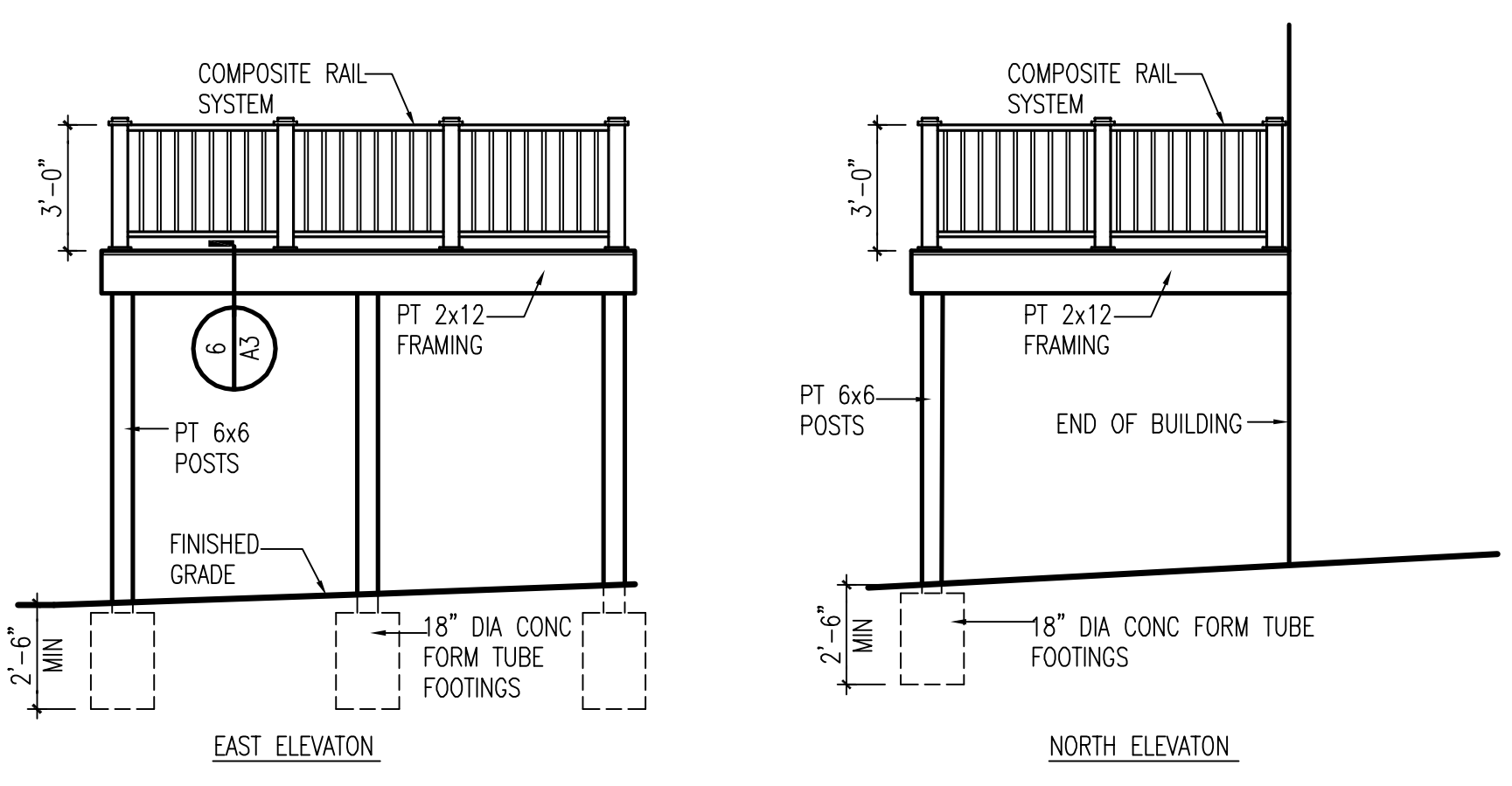
**NOVITSKE ARCHITECTS**

201 North Fairfax Street • Suite 33  
Alexandria VA 22314  
703 535 7899 • 703 535 8840 fax

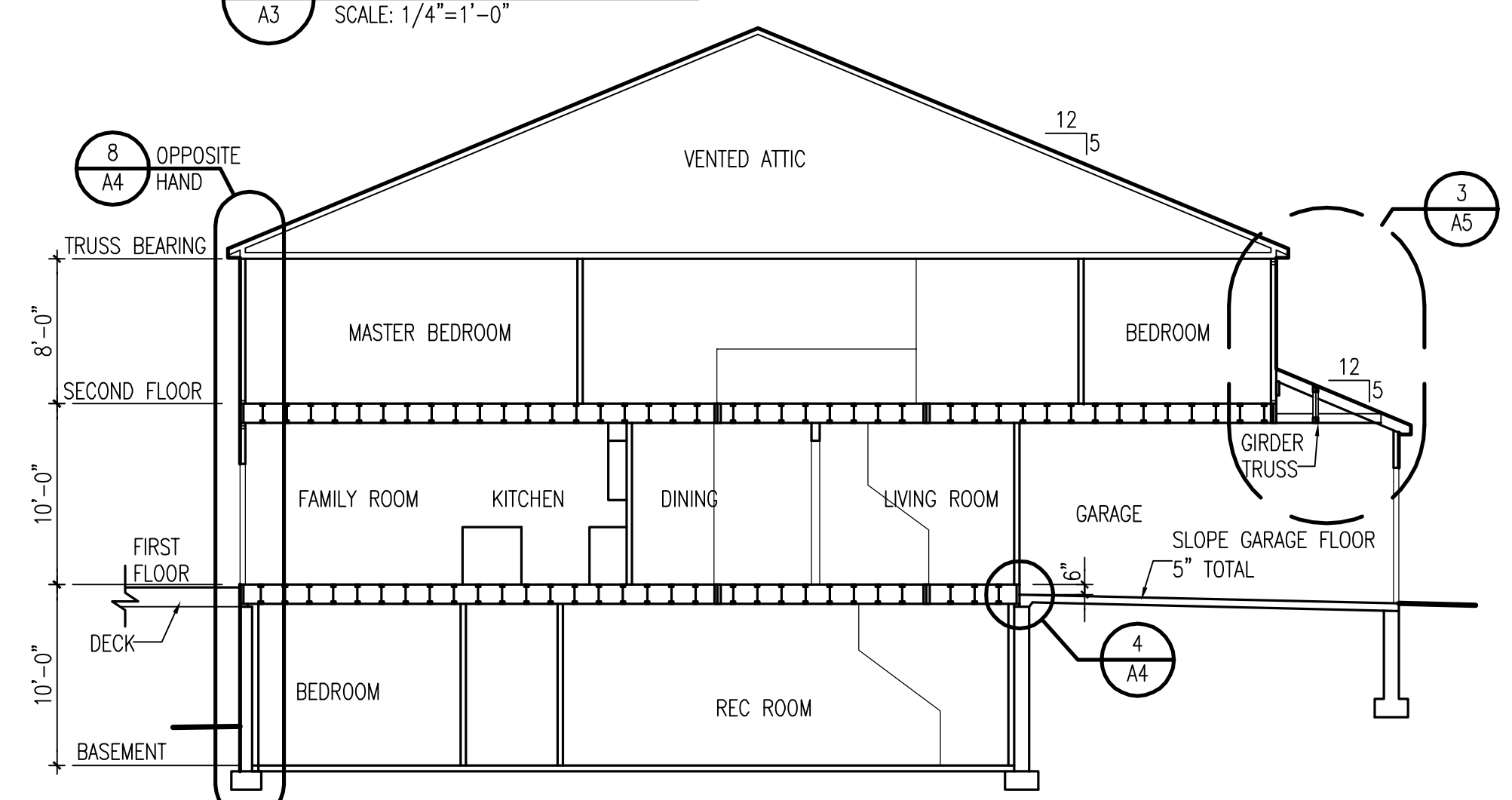


**1 EAST ELEVATION**  
A3 SCALE: 1/4"=1'-0"

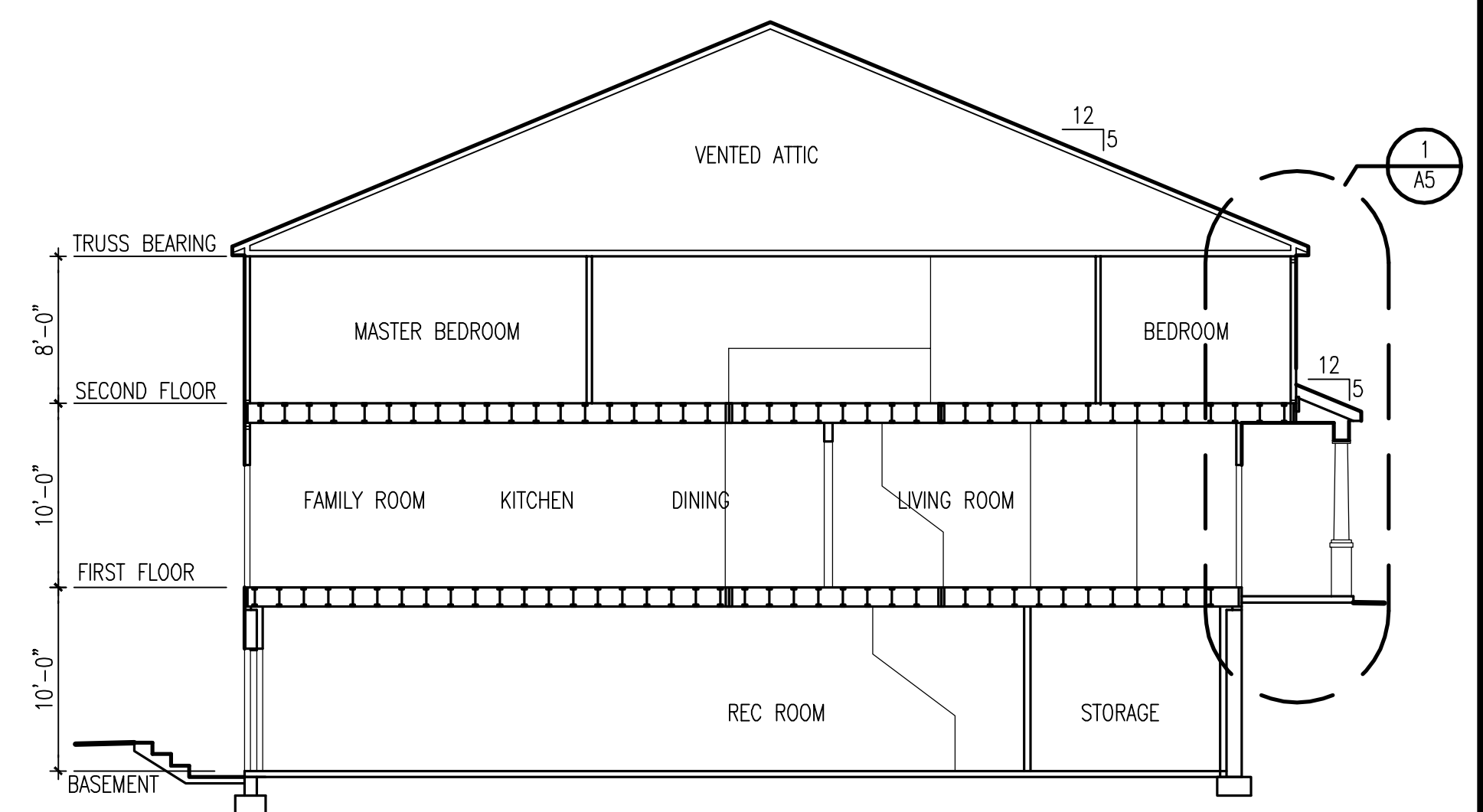
**5 NORTH ELEVATION**  
A3 SCALE: 1/4"=1'-0"



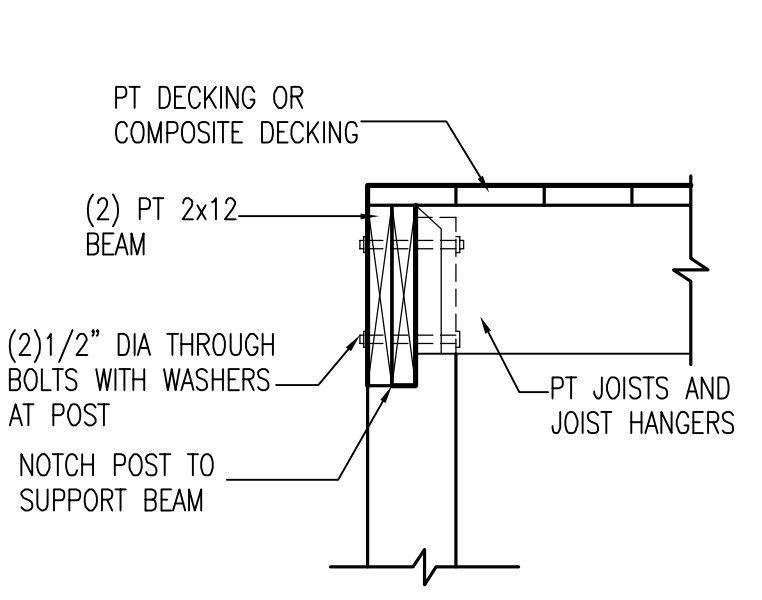
**3 DECK ELEVATIONS**  
A3 SCALE: 1/4"=1'-0"



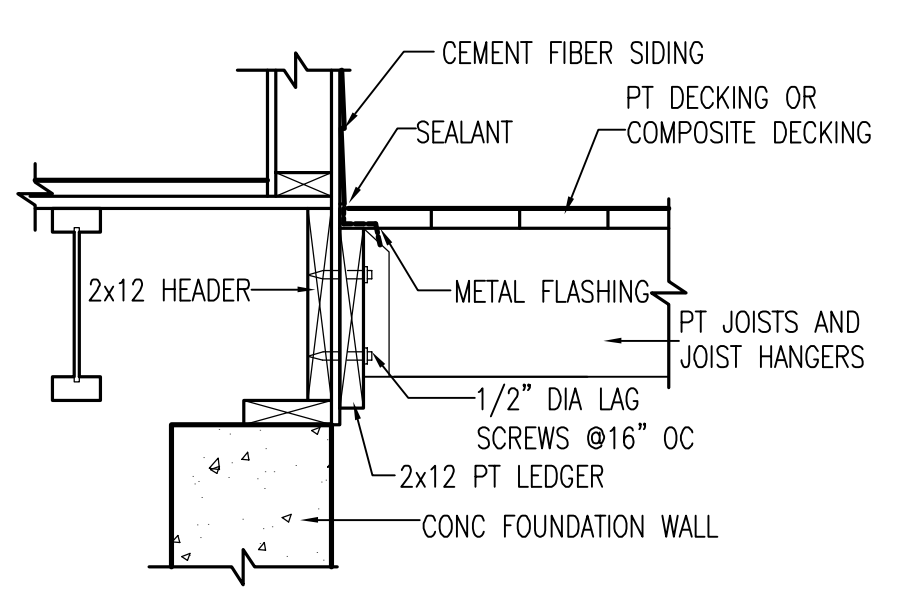
**4 SECTION LOOKING SOUTH**  
A3 SCALE: 1/4"=1'-0"



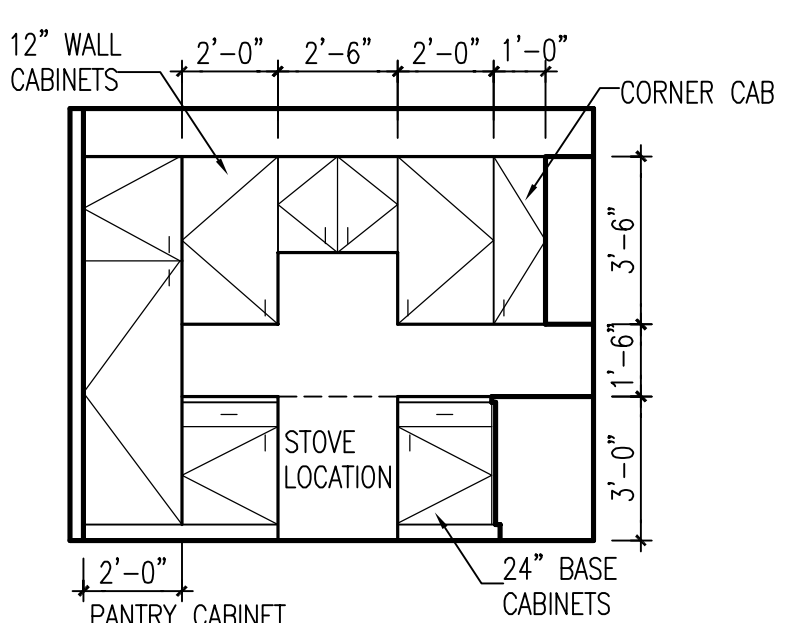
**5 SECTION LOOKING SOUTH**  
A3 SCALE: 1/4"=1'-0"



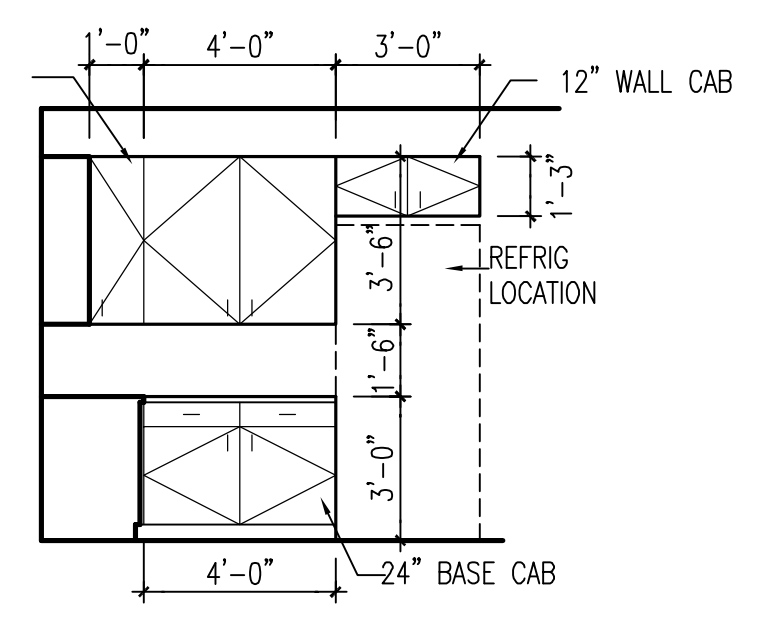
**6 DECK CONNECTION**  
A3 SCALE: 1"=1'-0"



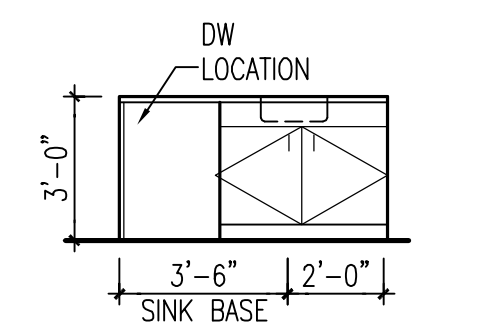
**7 DECK ATTACHMENT DETAIL**  
A3 SCALE: 1"=1'-0"



**8 KITCHEN ELEVATION**  
A3 SCALE: 1/4"=1'-0"

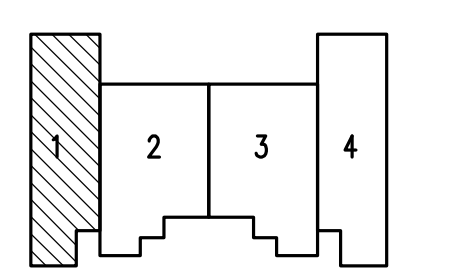


**9 KITCHEN ELEVATION**  
A3 SCALE: 1/4"=1'-0"

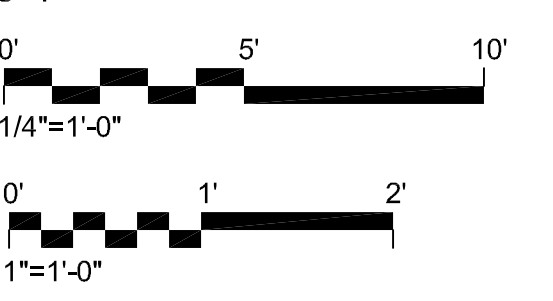


**10 ISLAND**  
A3 SCALE: 1/4"=1'-0"

key plan



graphic scales



project: 24706  
phase: Preliminary - Not for Construction  
date: 16 February 2018  
revisions:

**Elevations, Building Sections, & Details**