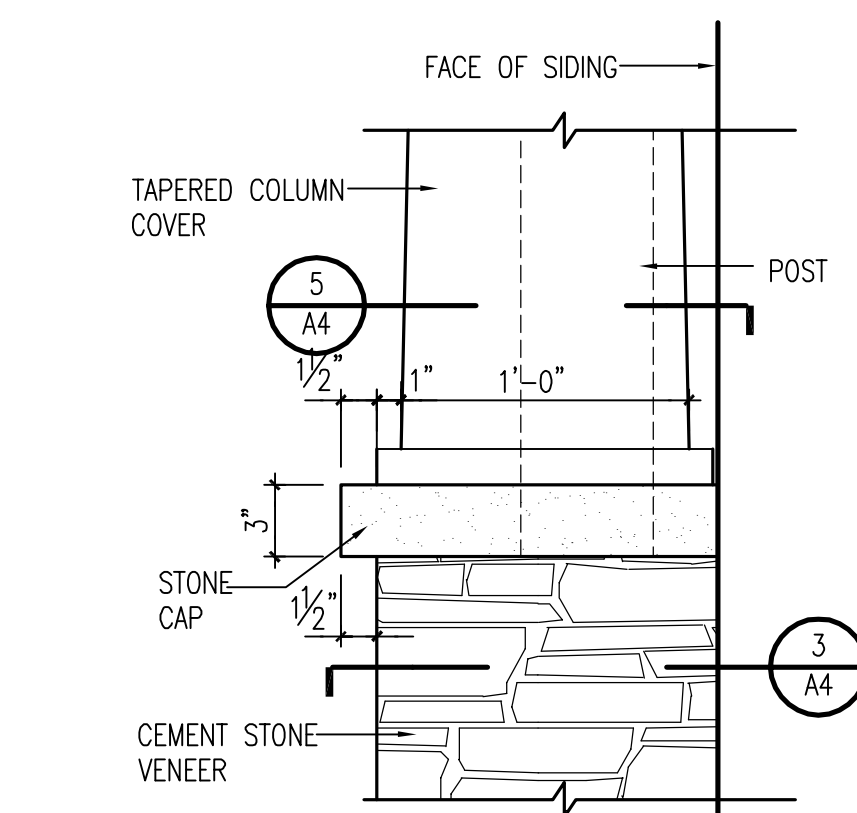
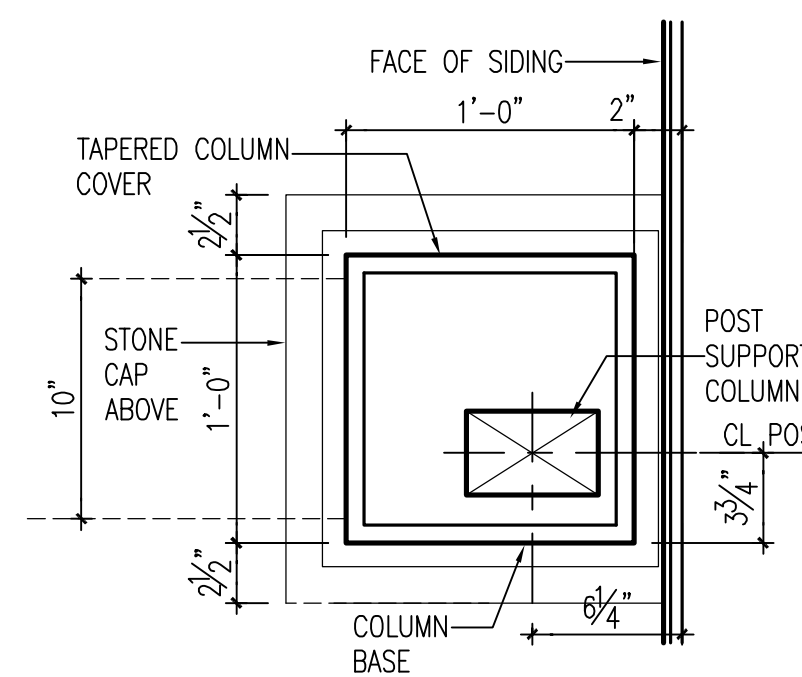


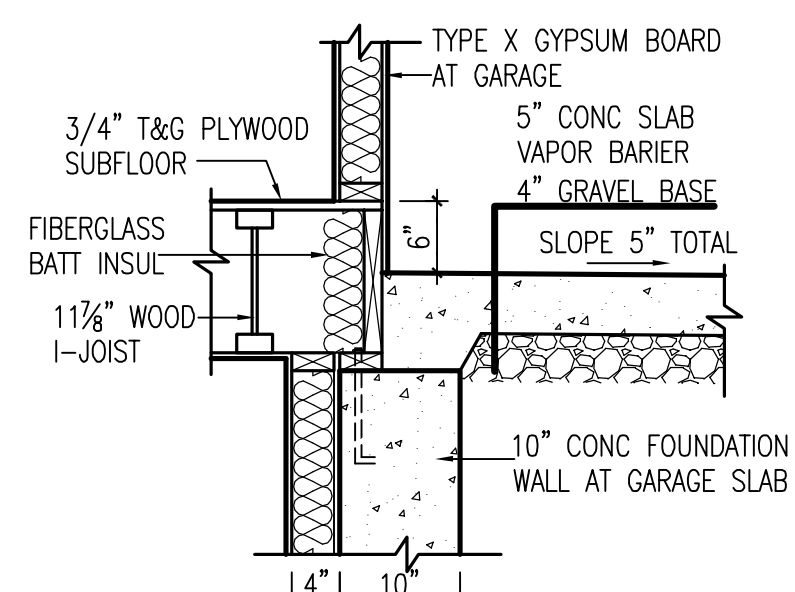
1 SOUTH ELEVATION
SCALE: 1/4"=1'-0"



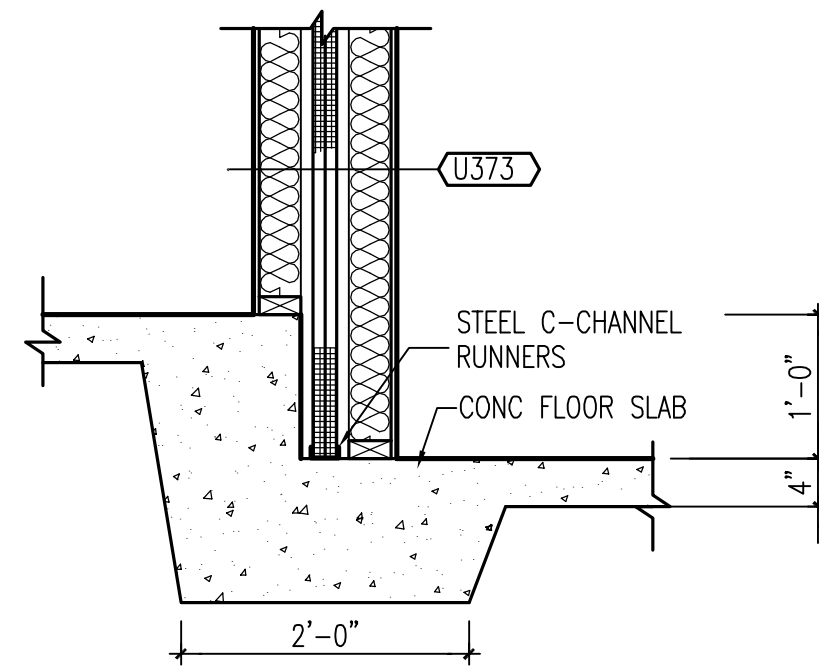
2 POST ELEVATION
SCALE: 1 1/2"=1'-0"



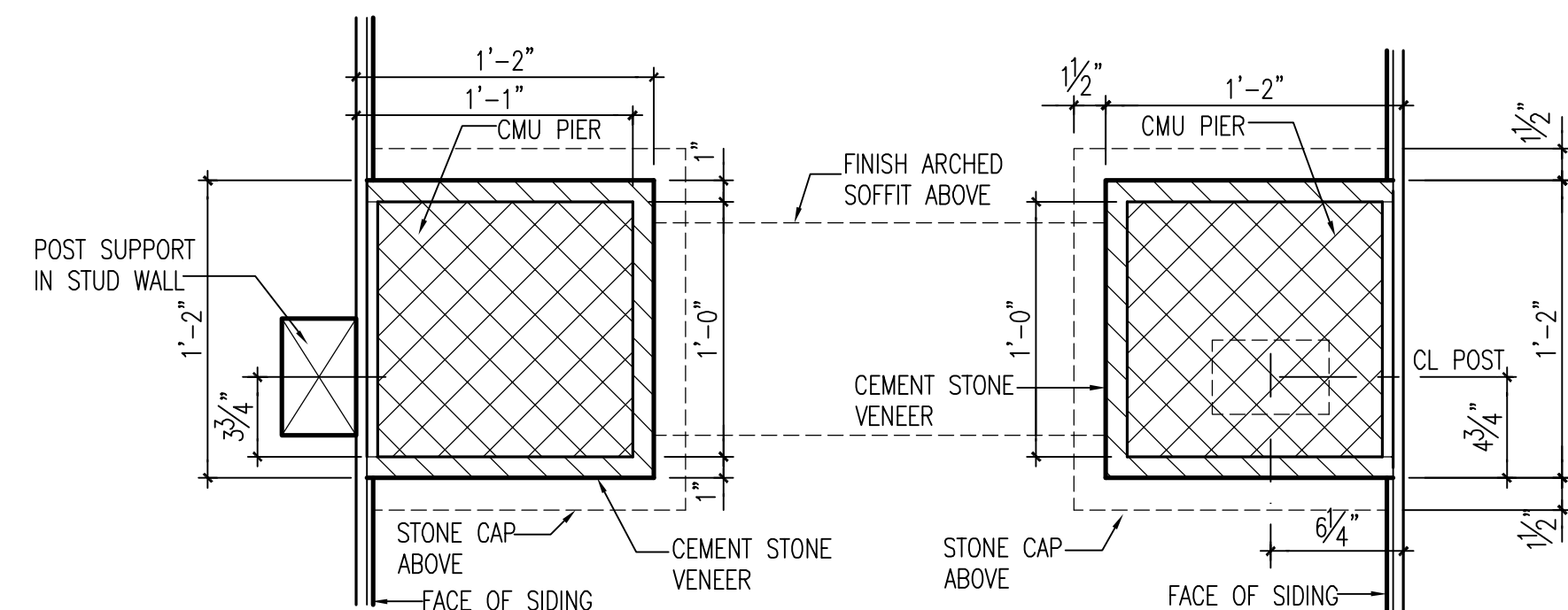
3 POST PLAN DETAIL
SCALE: 1 1/2"=1'-0"



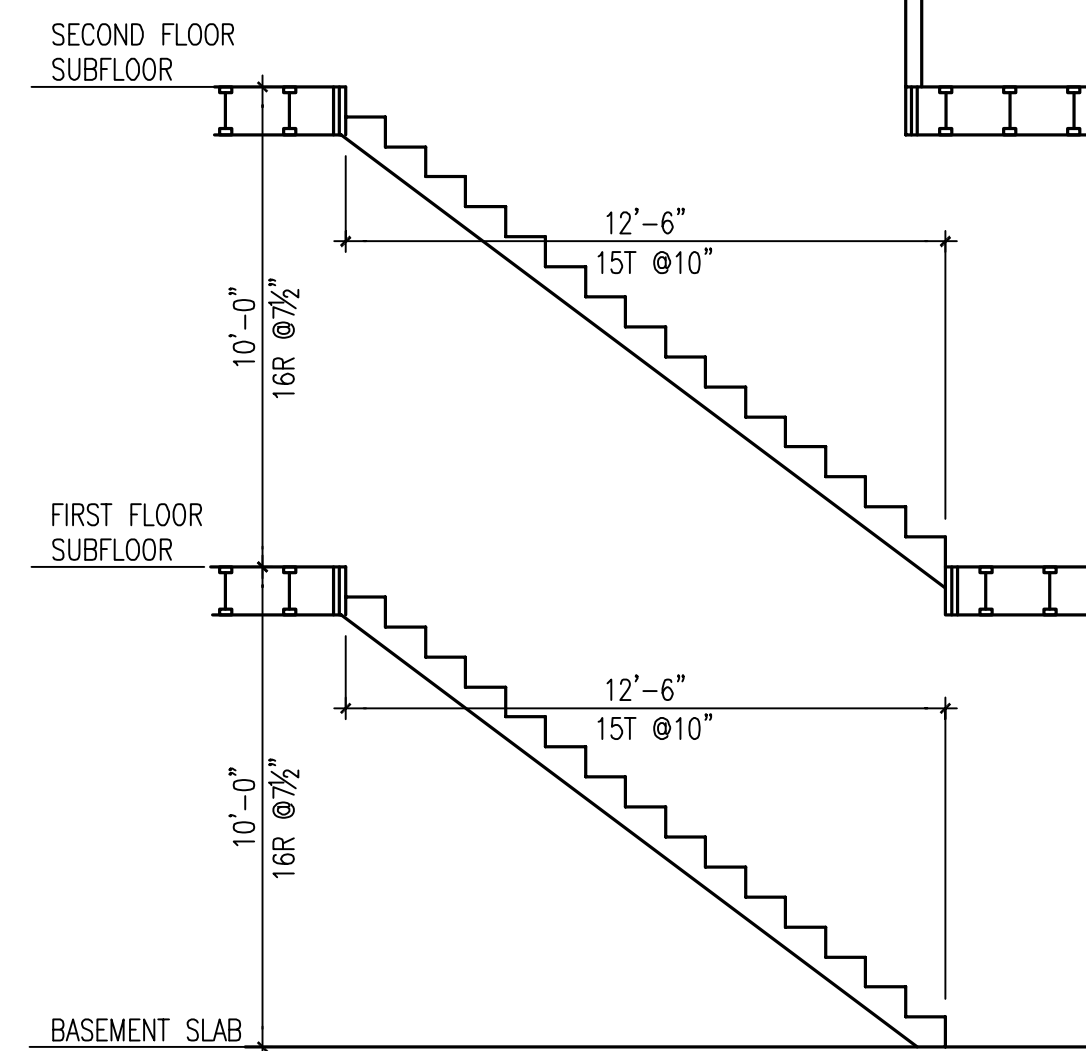
4 GARAGE SLAB BEARING
SCALE: 3/4"=1'-0"



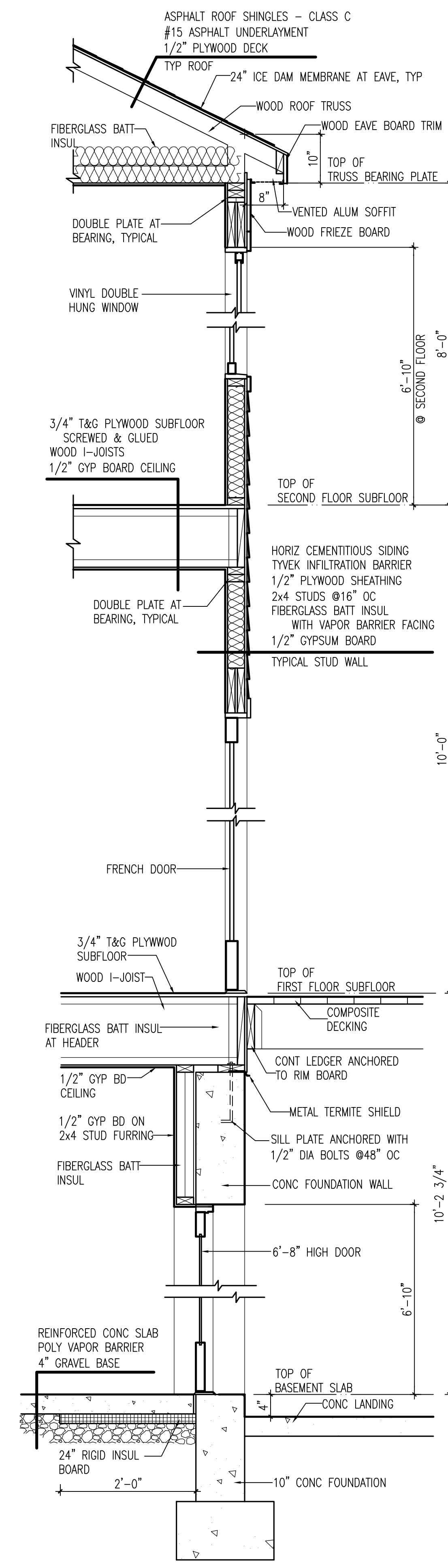
6 BASEMENT SLAB STEP DOWN
SCALE: 3/4"=1'-0"



5 PIER PLAN DETAIL
SCALE: 1 1/2"=1'-0"



7 STAIR SECTION
SCALE: 1/4"=1'-0"



8 WALL SECTION LOOKING NORTH
SCALE: 3/4"=1'-0"

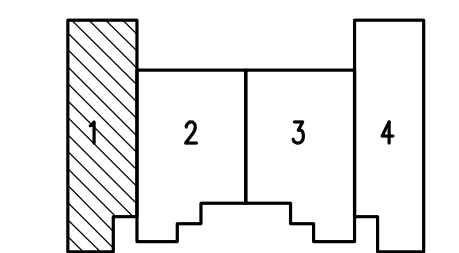
Townhouse Residence

Unit 1
2017 & 2022 South Kenmore Street
Arlington, Virginia 22204

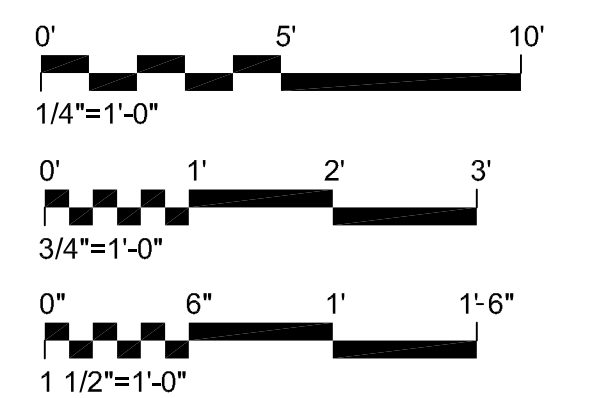
NOVITSKE ARCHITECTS

201 North Fairfax Street • Suite 33
Alexandria VA 22314
703 535 7899 • 703 535 8840 fax

key plan



graphic scales



project: 24706
phase: Preliminary - Not for Construction
date: 16 February 2018
revisions:

Elevations, Wall Sections, & Details