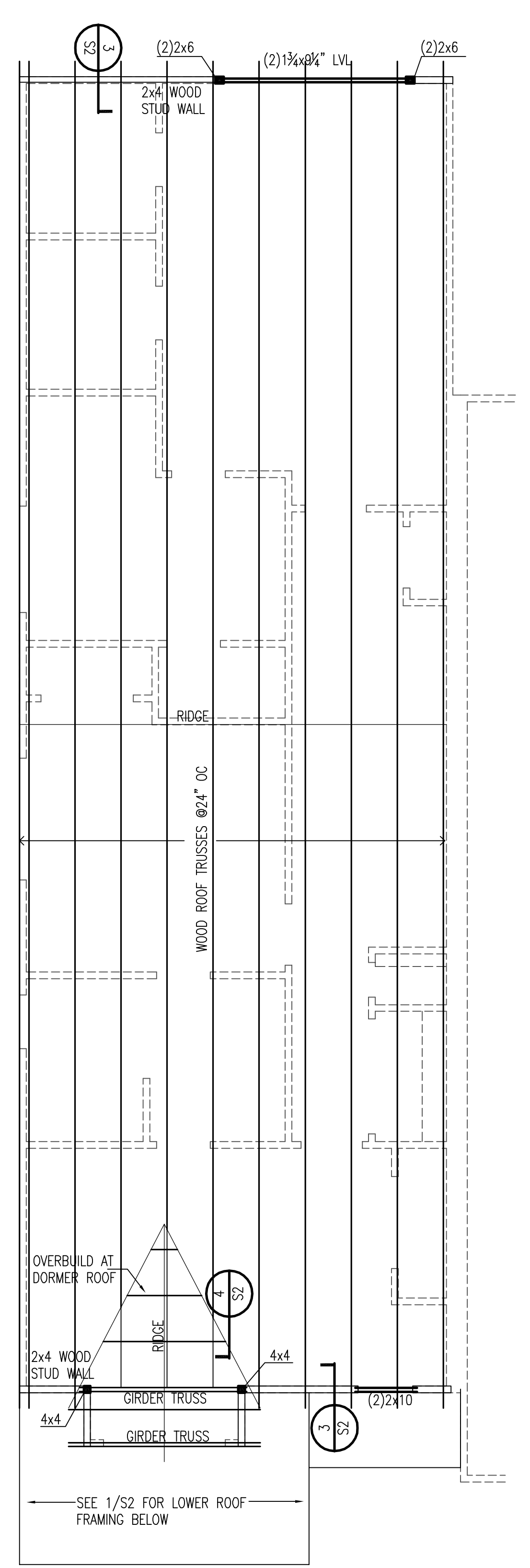
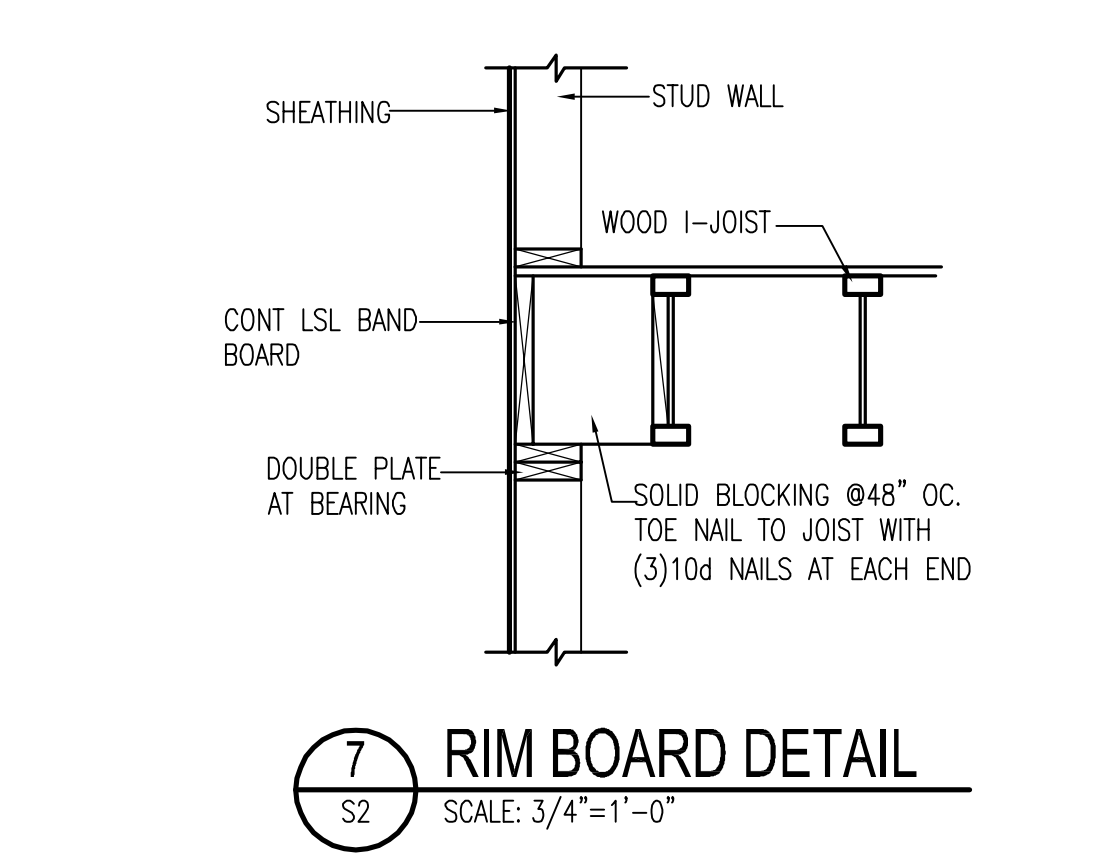
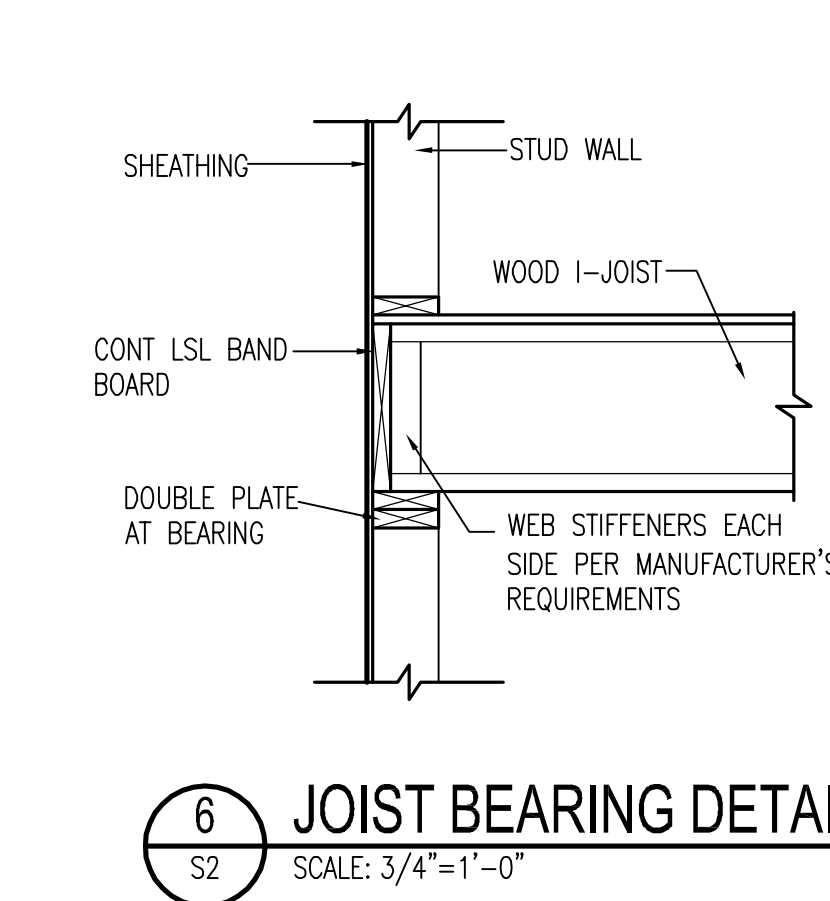
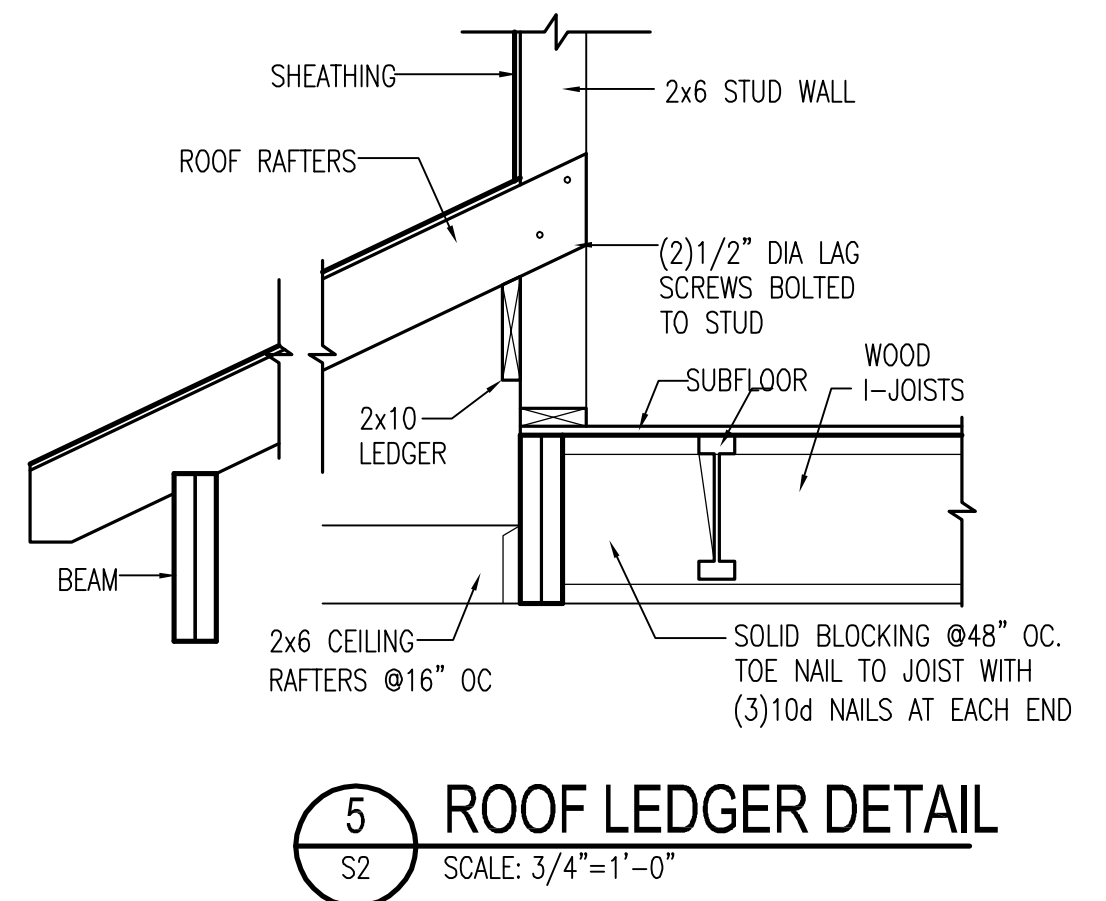
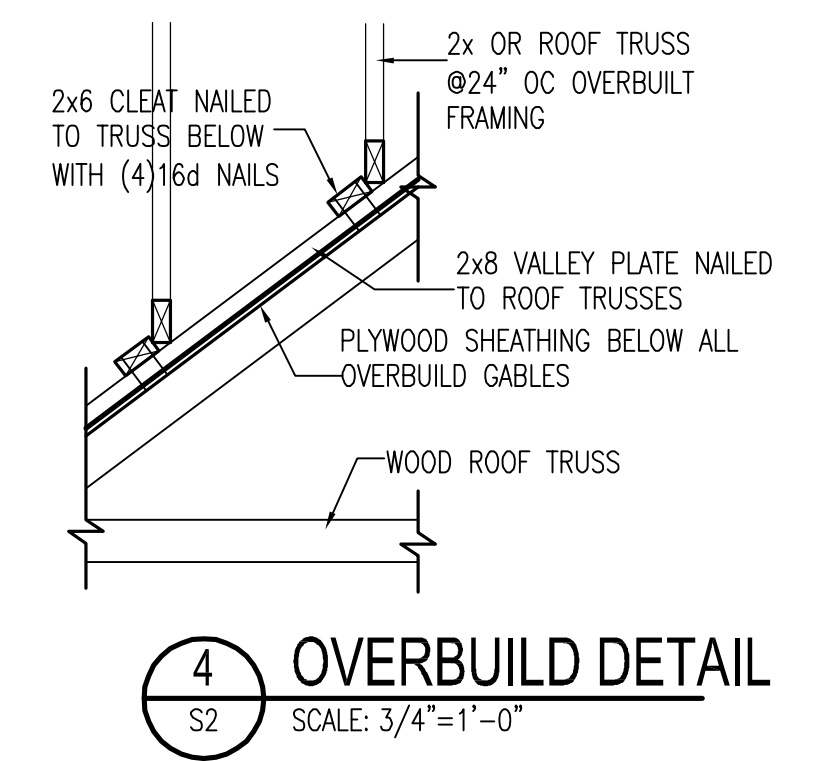
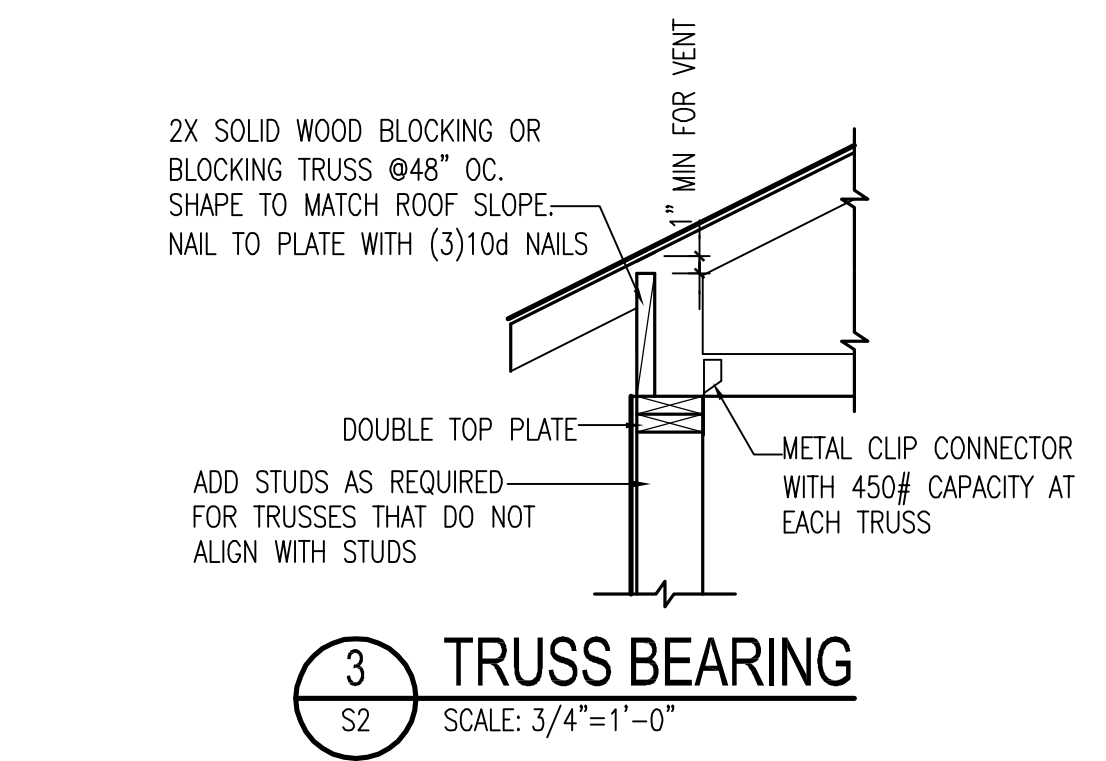


1 SECOND FLOOR FRAMING PLAN
 S2 SCALE: 1/4"=1'-0"
 NORTH

NOTE: ALL POSTS FOR BEAMS ARE (2)2x4 UNLESS NOTED OTHERWISE.



2 ROOF FRAMING PLAN
 S2 SCALE: 1/4"=1'-0"
 NORTH



Townhouse Residence

Unit 1
 2017 & 2022 South Kenmore Street
 Arlington, Virginia 22204

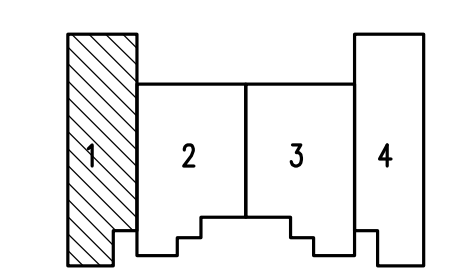
NOVITSKE ARCHITECTS

201 North Fairfax Street • Suite 33
 Alexandria VA 22314
 703 535 7899 • 703 535 8840 fax

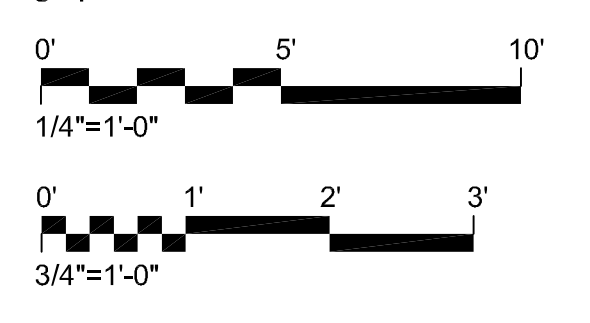
NADER ELHAJJ

3603 McLean Avenue
 Fairfax VA 22030
 703 615 2451 • 703 563 9424 fax

key plan



graphic scales



project: 24706
 phase: Preliminary - Not for Construction
 date: 16 February 2018
 revisions:

Framing Plans & Details