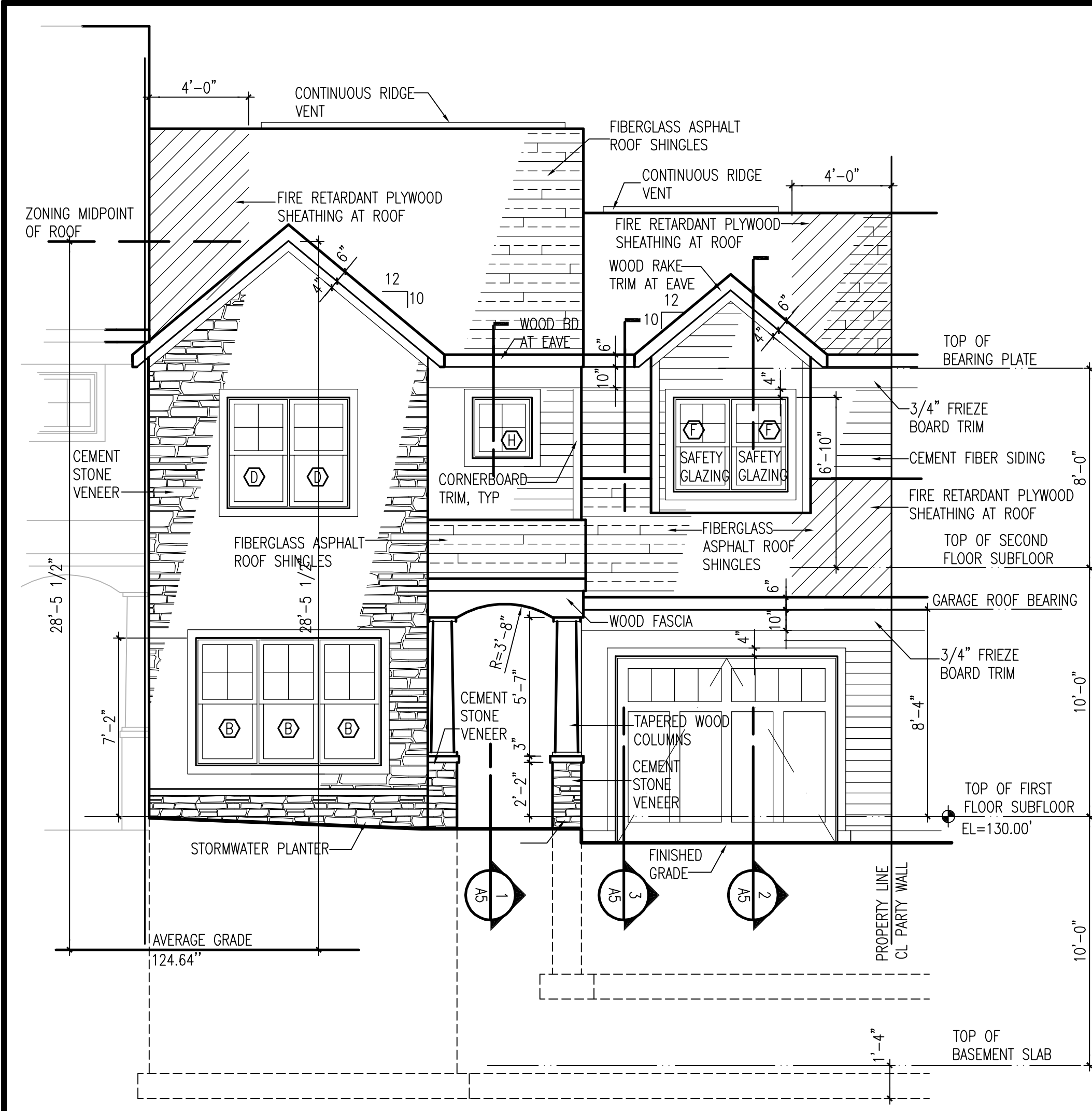


**Townhouse Residence**

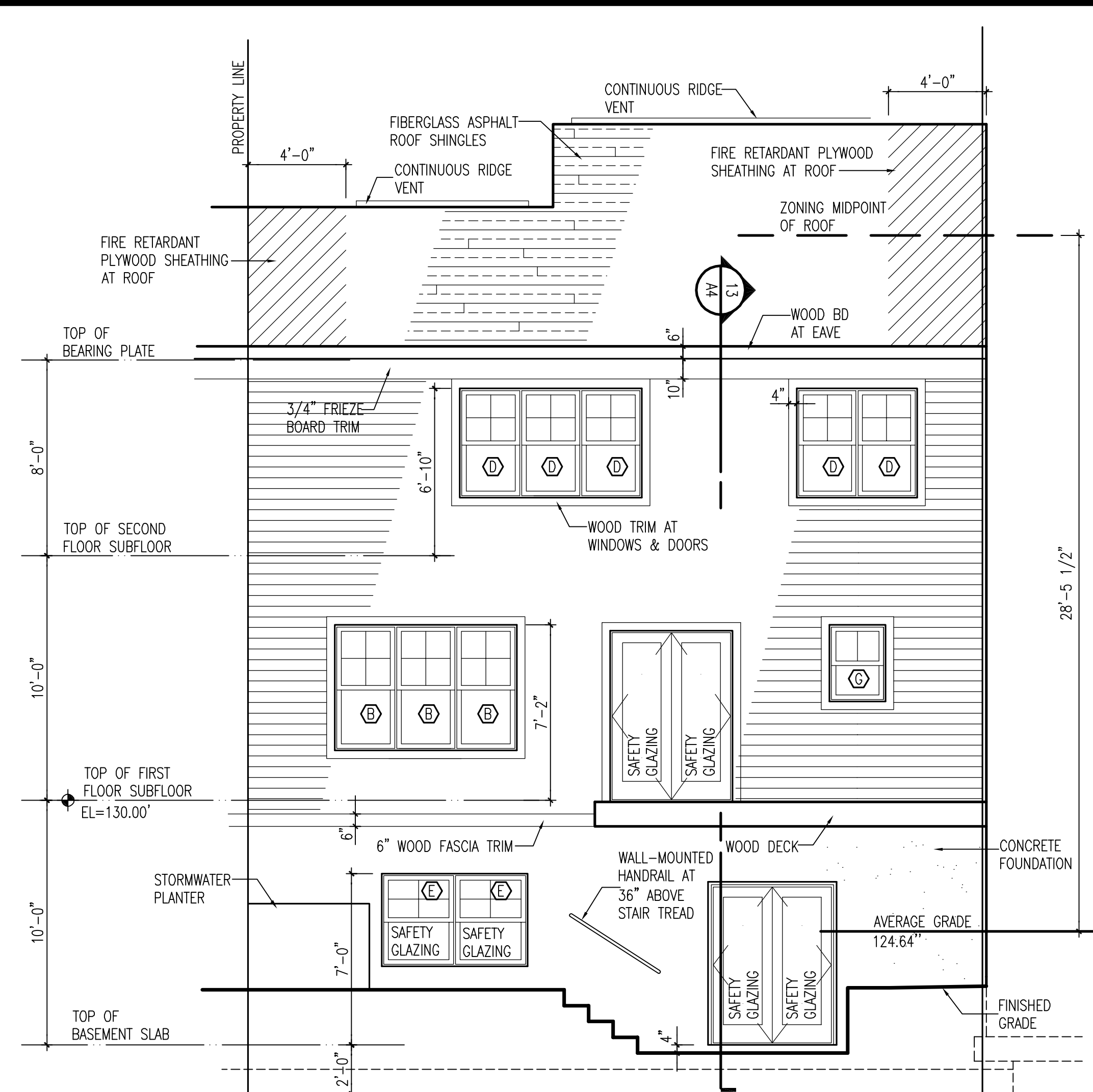
Unit 2  
2017 & 2022 South Kenmore Street  
Arlington, Virginia 22204

NOVITSKE ARCHITECTS

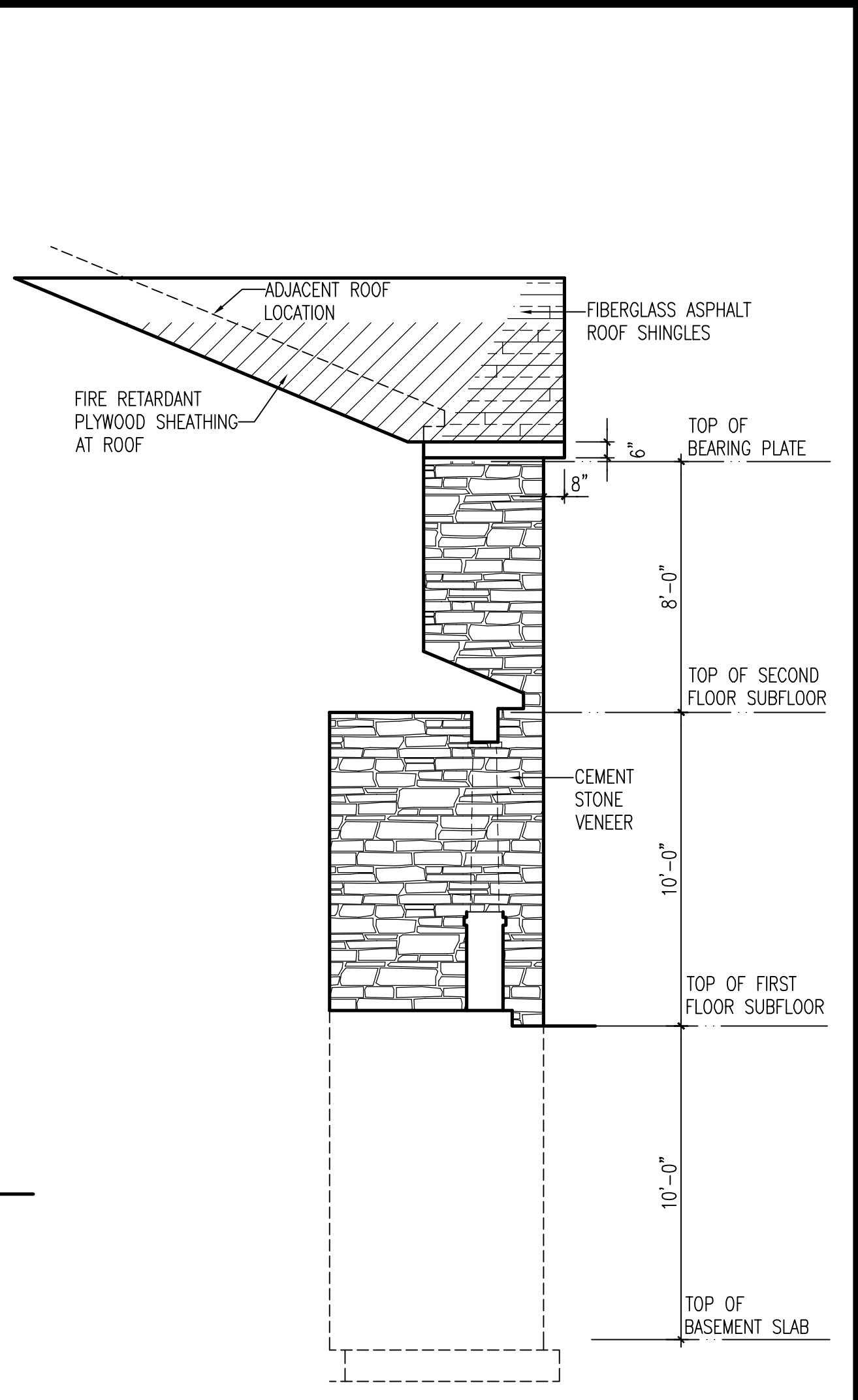
201 North Fairfax Street • Suite 33  
Alexandria VA 22314  
703 535 7899 • 703 535 8840 fax



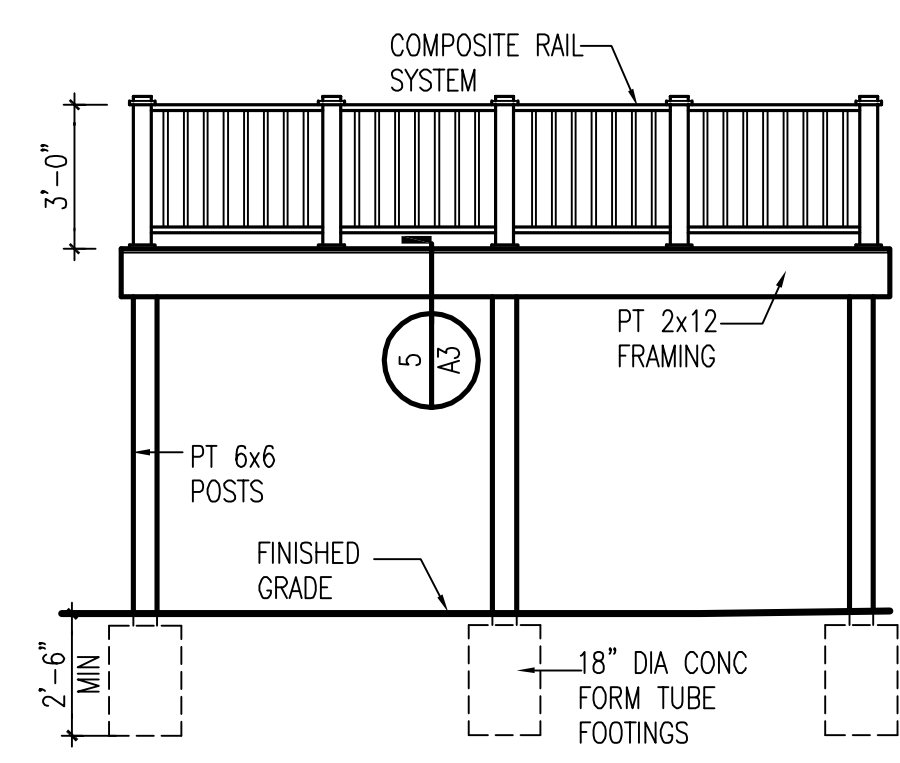
**1 WEST ELEVATION**  
A3 SCALE: 1/4"=1'-0"



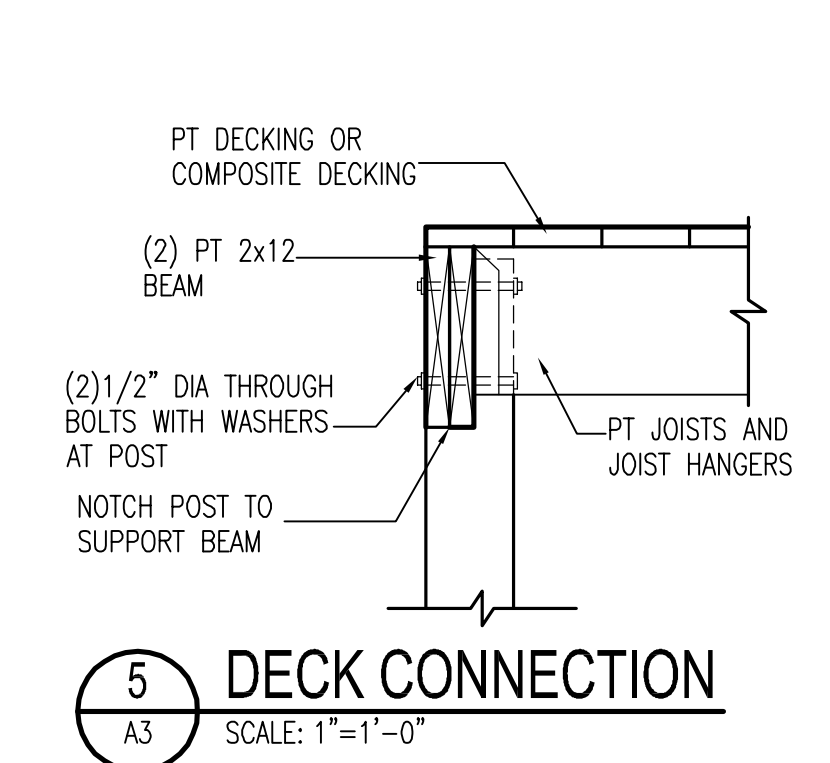
**2 EAST ELEVATION**  
A3 SCALE: 1/4"=1'-0"



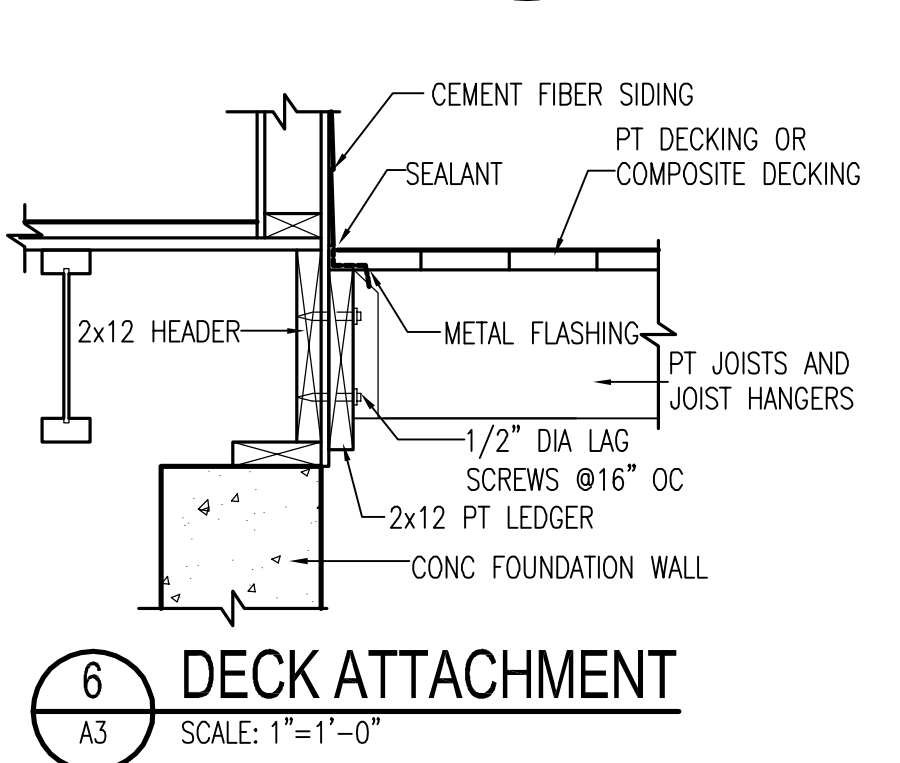
**3 NORTH ELEVATION**  
A3 SCALE: 1/4"=1'-0"



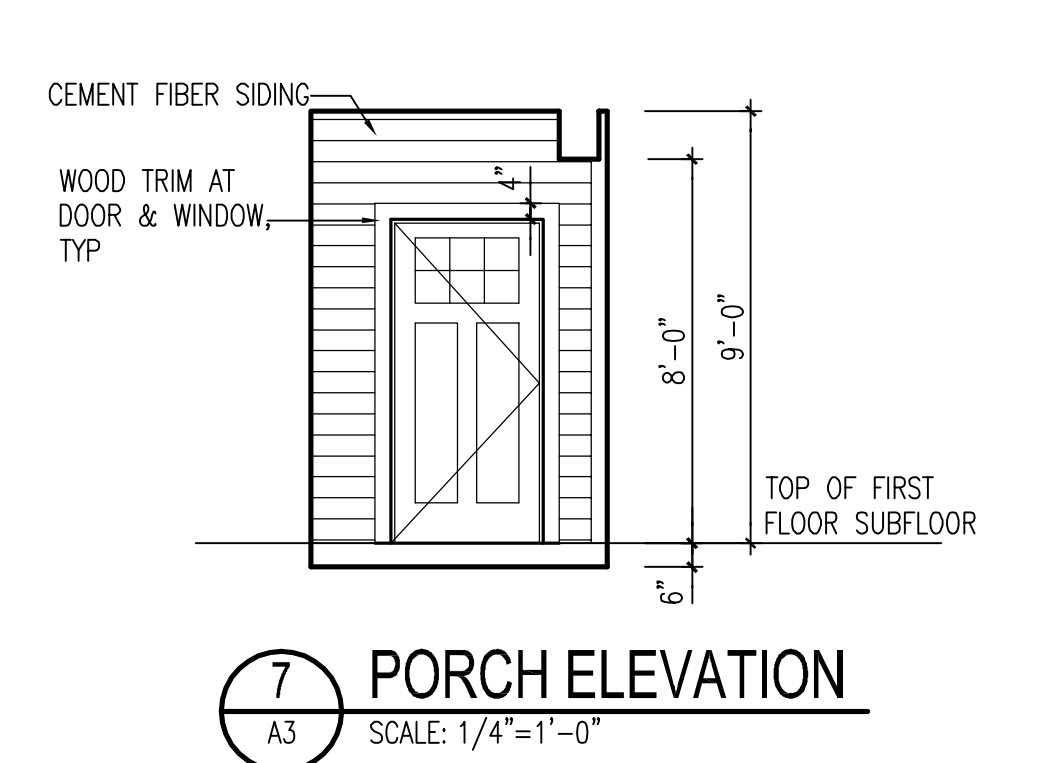
**4 DECK ELEVATION**  
A3 SCALE: 1/4"=1'-0"



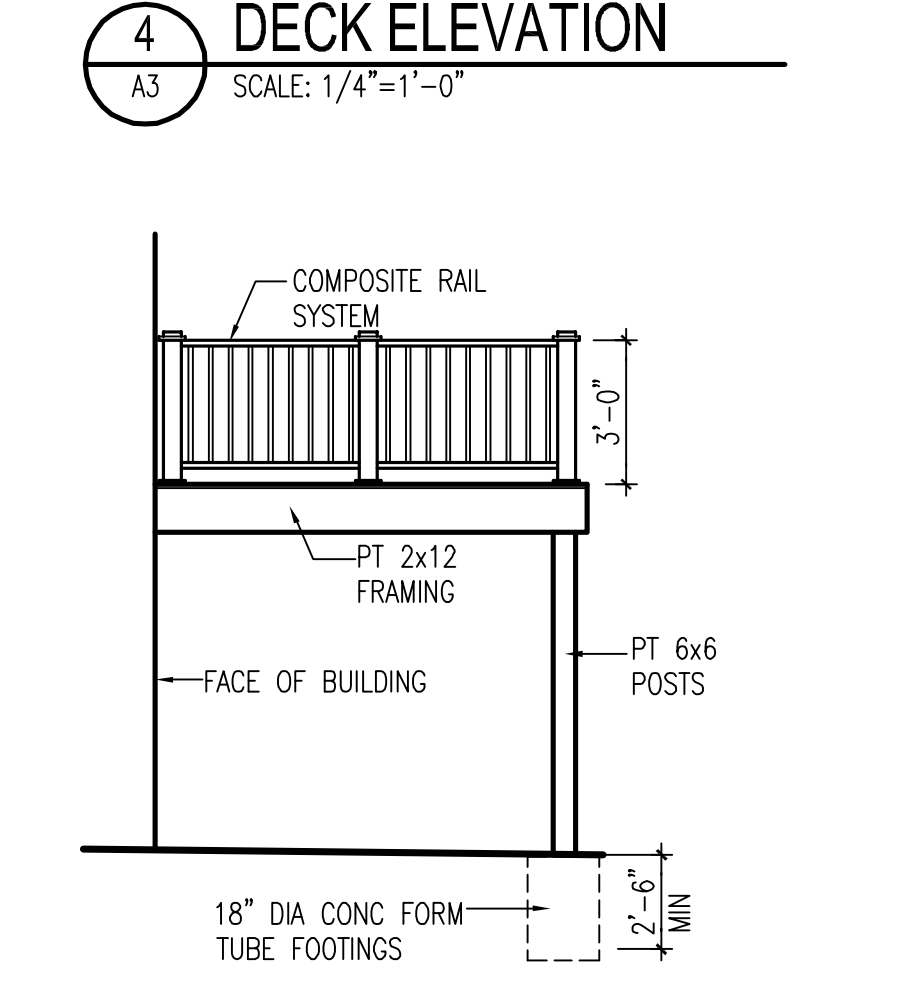
**5 DECK CONNECTION**  
A3 SCALE: 1"=1'-0"



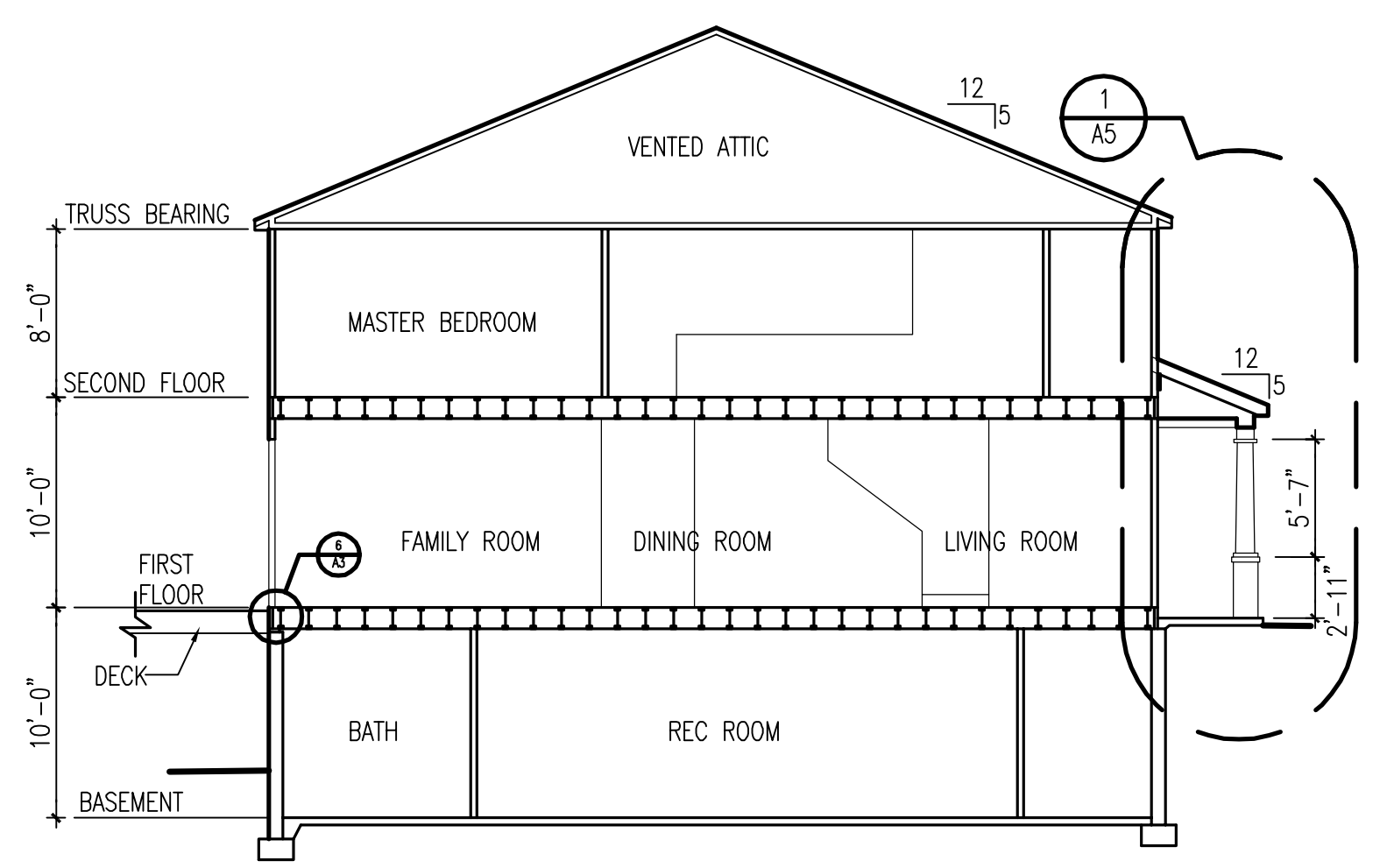
**6 DECK ATTACHMENT**  
A3 SCALE: 1"=1'-0"



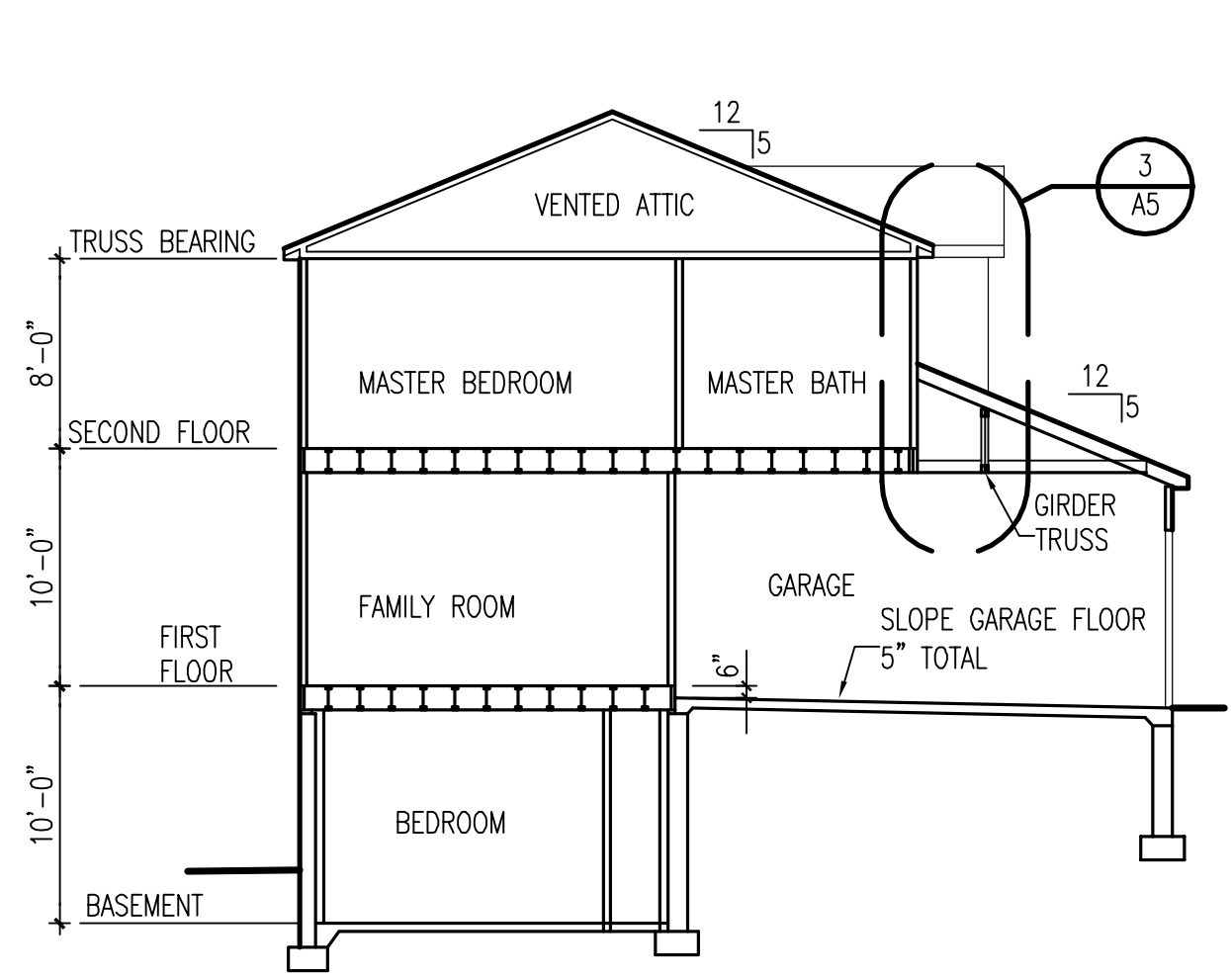
**7 PORCH ELEVATION**  
A3 SCALE: 1/4"=1'-0"



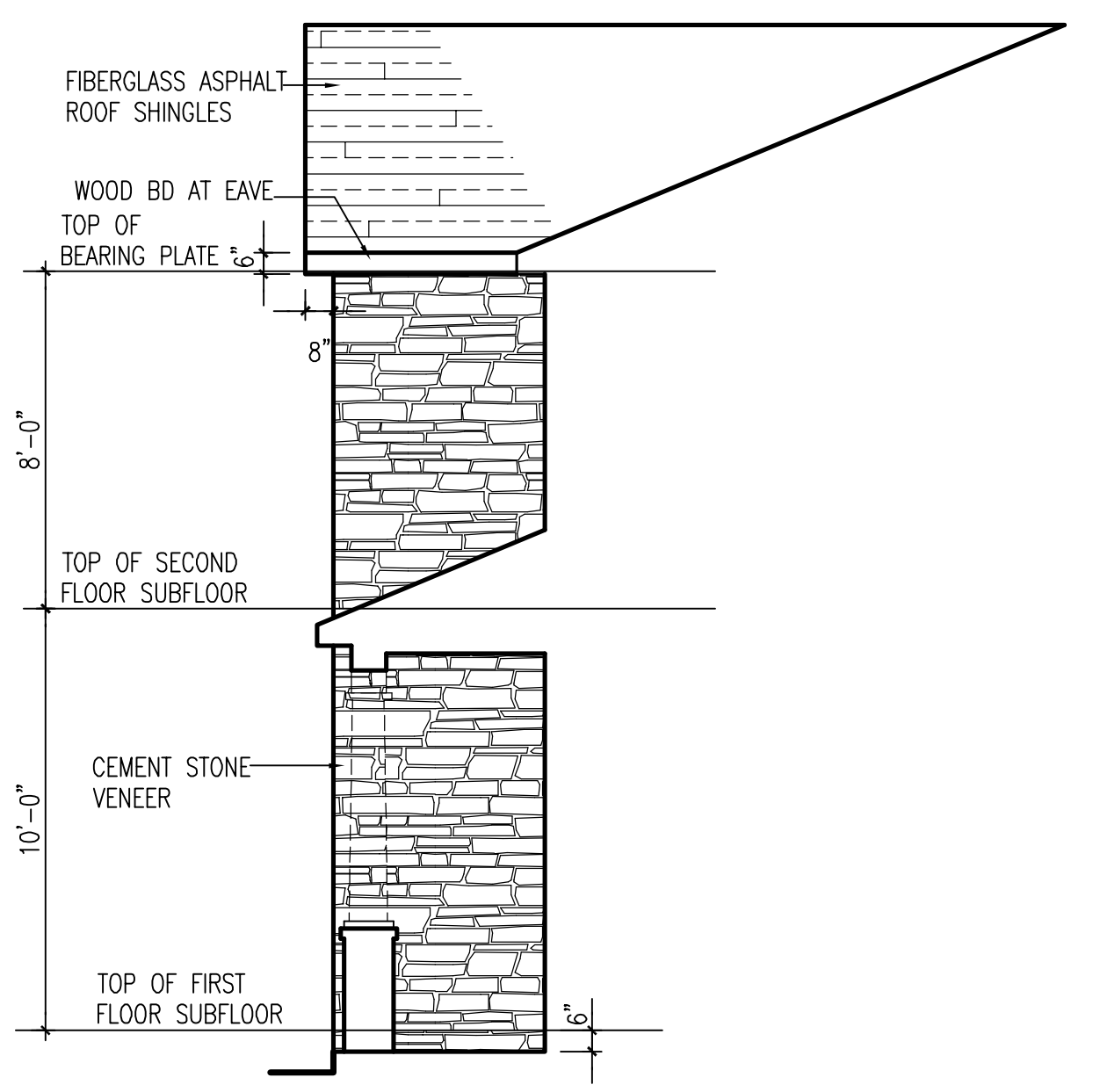
**8 DECK ELEVATION**  
A3 SCALE: 1/4"=1'-0"



**9 SECTION LOOKING SOUTH**  
A3 SCALE: 1/8"=1'-0"

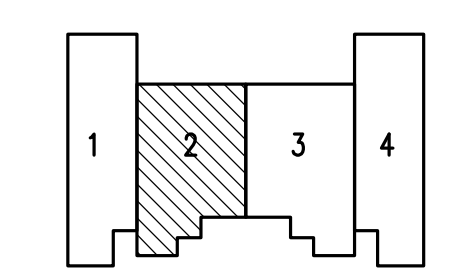


**10 SECTION LOOKING SOUTH**  
A3 SCALE: 1/8"=1'-0"

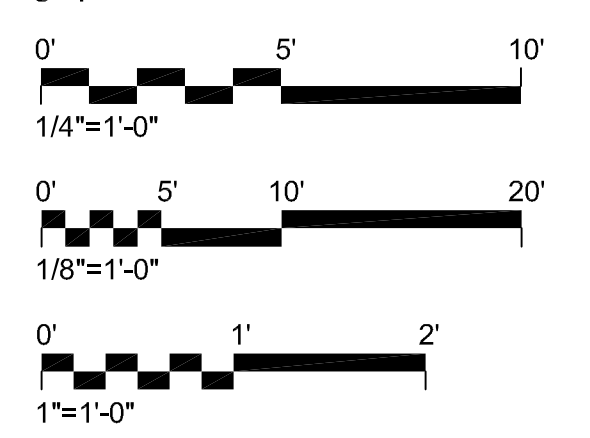


**11 SOUTH ELEVATION**  
A3 SCALE: 1/4"=1'-0"

key plan



graphic scales



project: 24706  
phase: Preliminary - Not for Construction  
date: 16 February 2018  
revisions:

Elevations,  
Building Sections & Details

**A3**