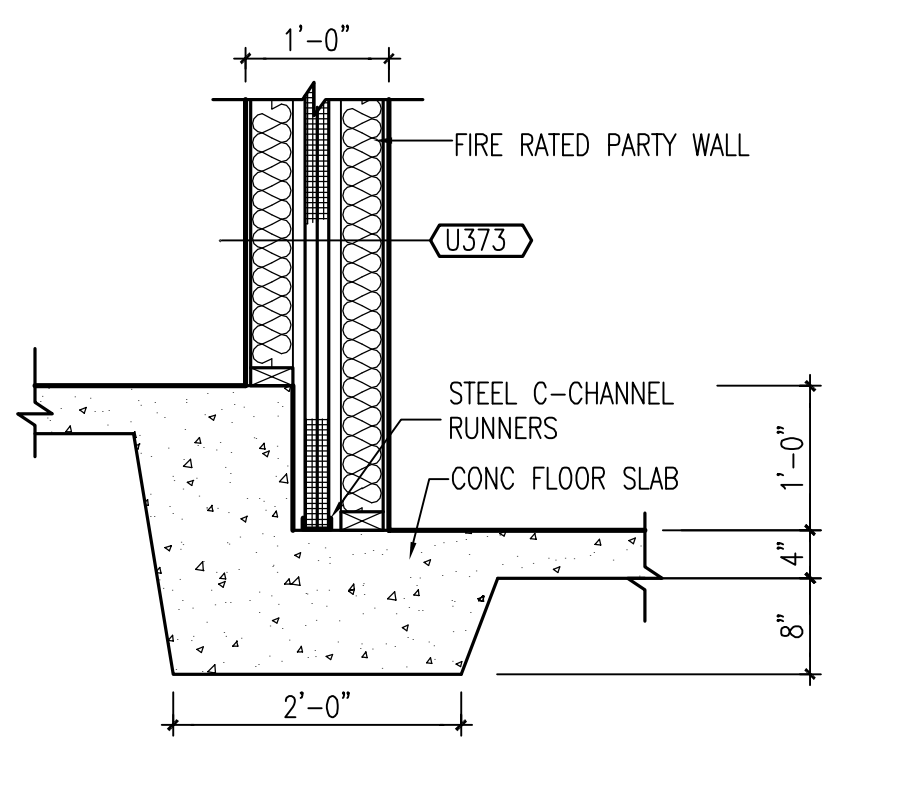
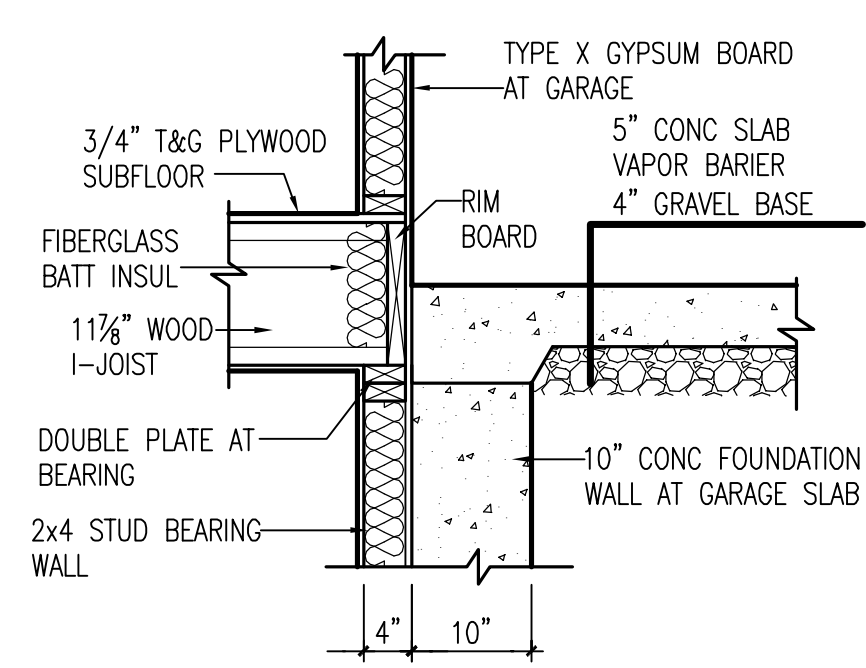


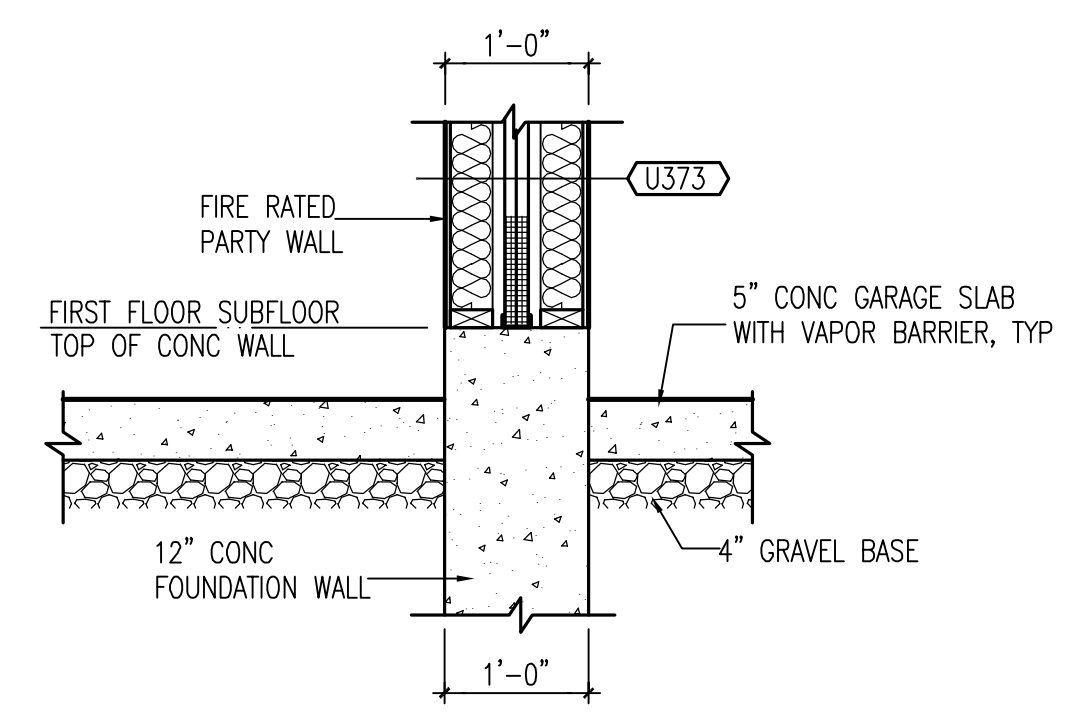
1 PORCH SLAB DETAIL
SCALE: 3/4"=1'-0"



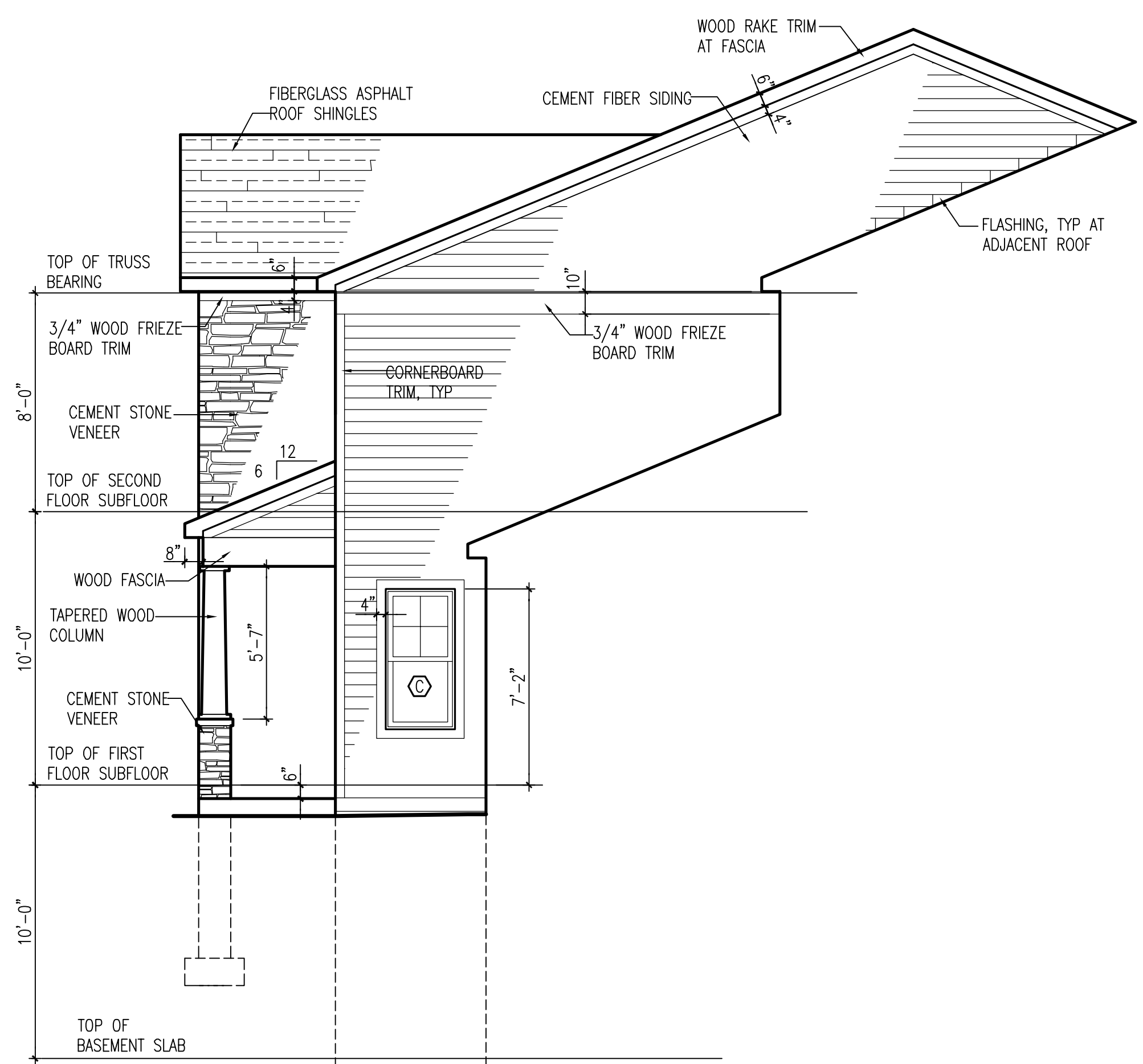
2 BASEMENT SLAB STEP DOWN
SCALE: 3/4"=1'-0"



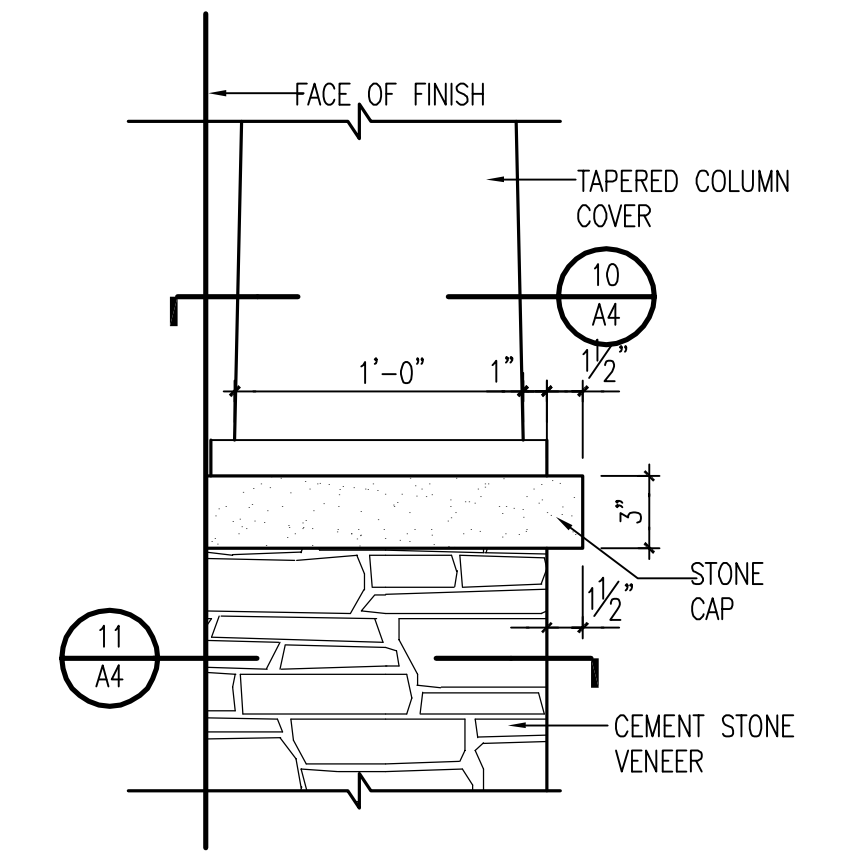
3 GARAGE SLAB
SCALE: 3/4"=1'-0"



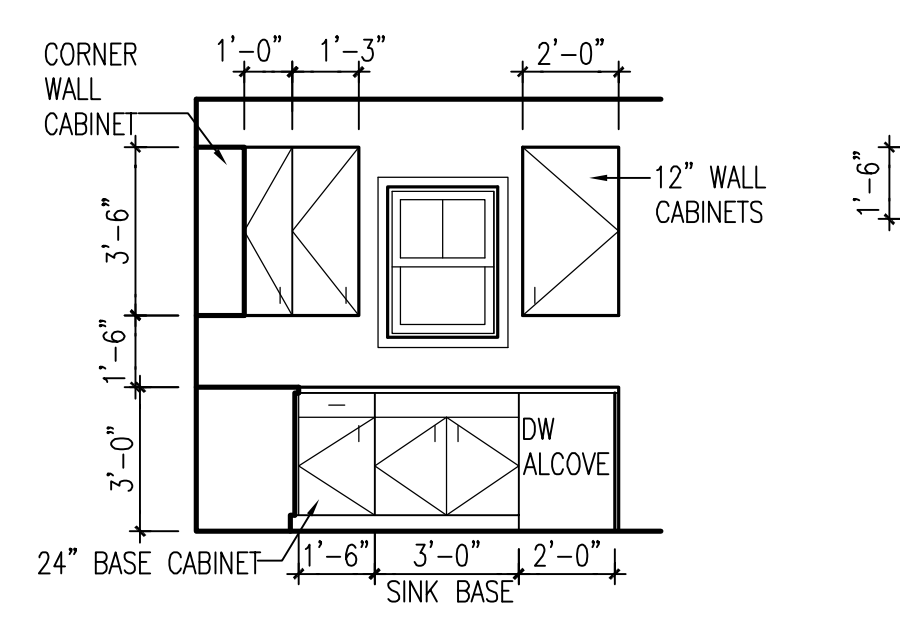
4 GARAGE SLAB PARTY WALL
SCALE: 3/4"=1'-0"



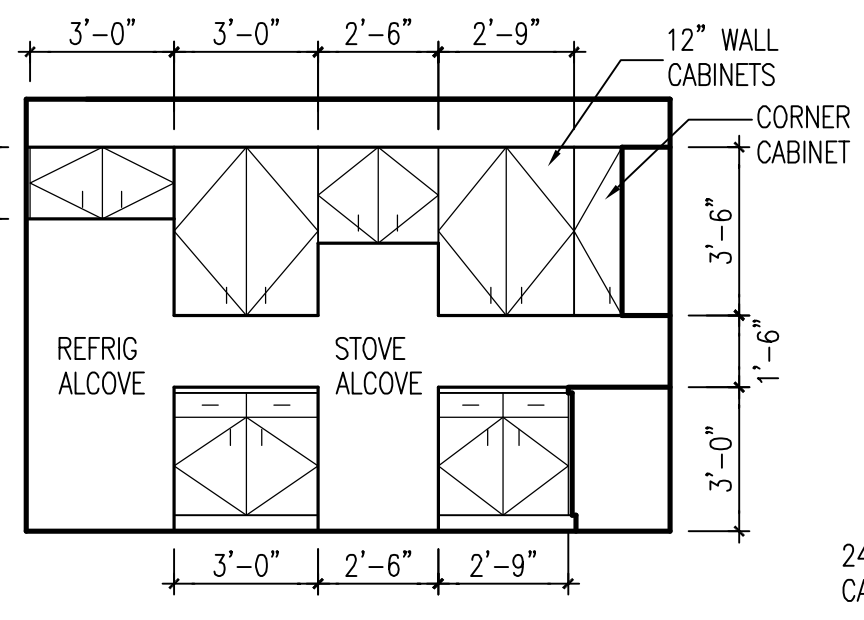
5 PARTIAL SOUTH ELEVATION
SCALE: 1/4"=1'-0"



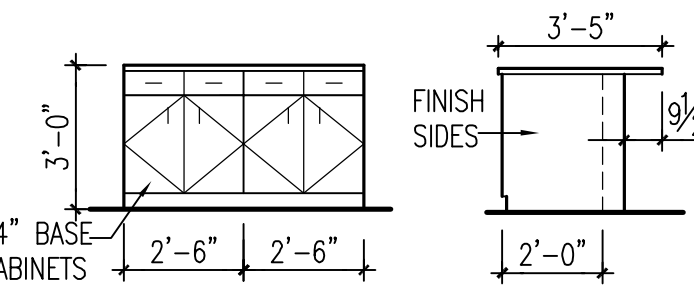
9 POST ELEVATION
SCALE: 1 1/2"=1'-0"



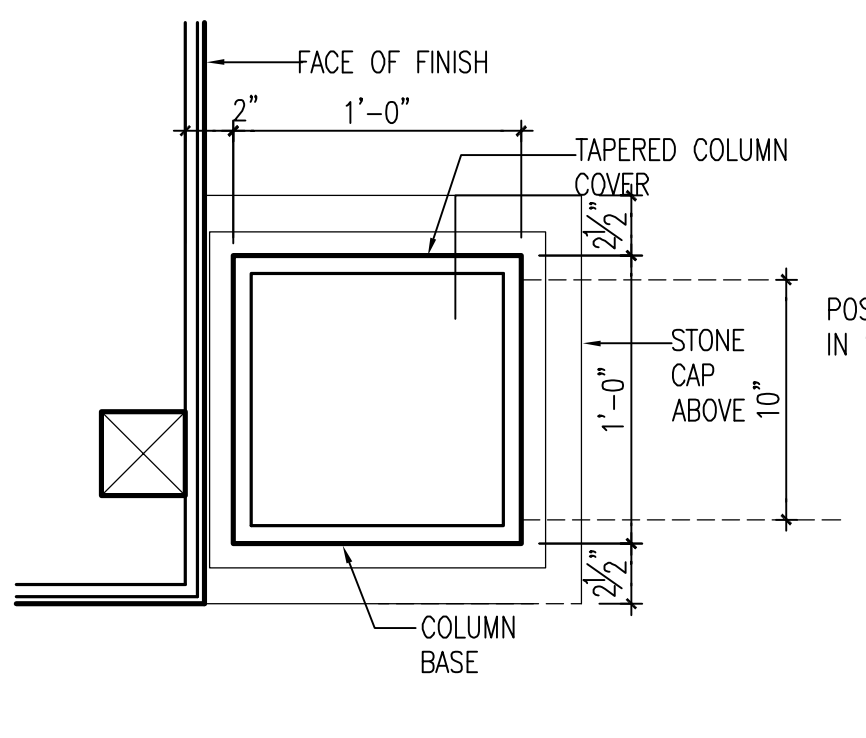
6 KITCHEN ELEVATION
SCALE: 1/4"=1'-0"



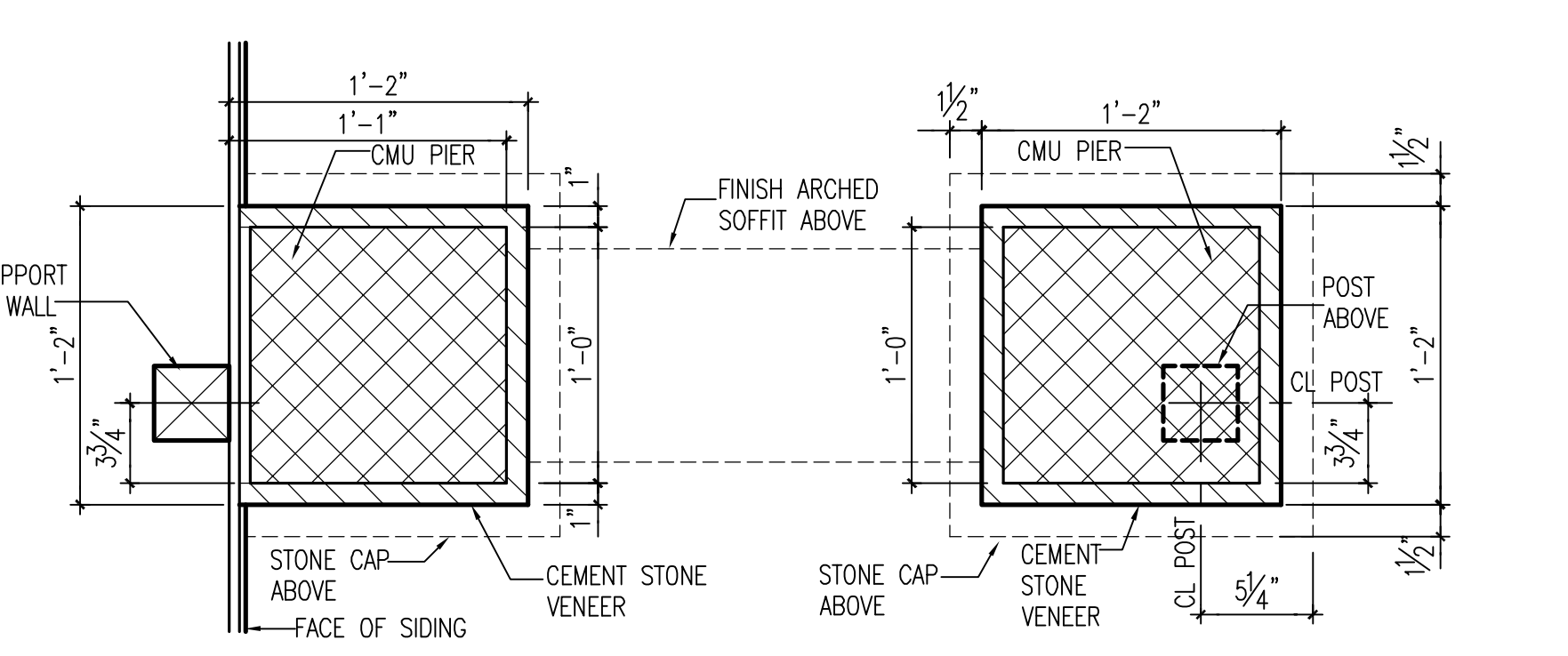
7 KITCHEN ELEVATION
SCALE: 1/4"=1'-0"



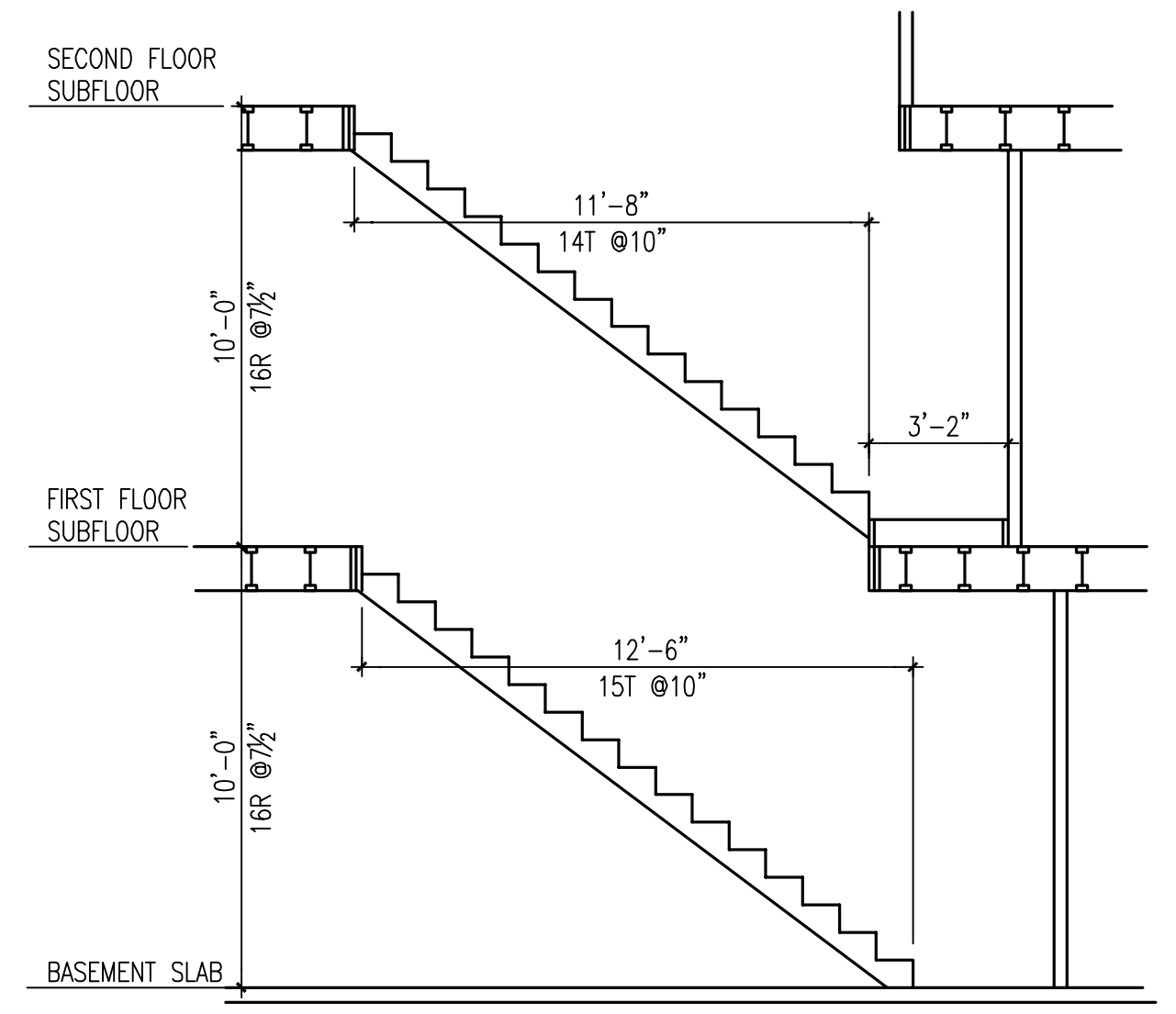
8 ISLAND ELEVATION
SCALE: 1/4"=1'-0"



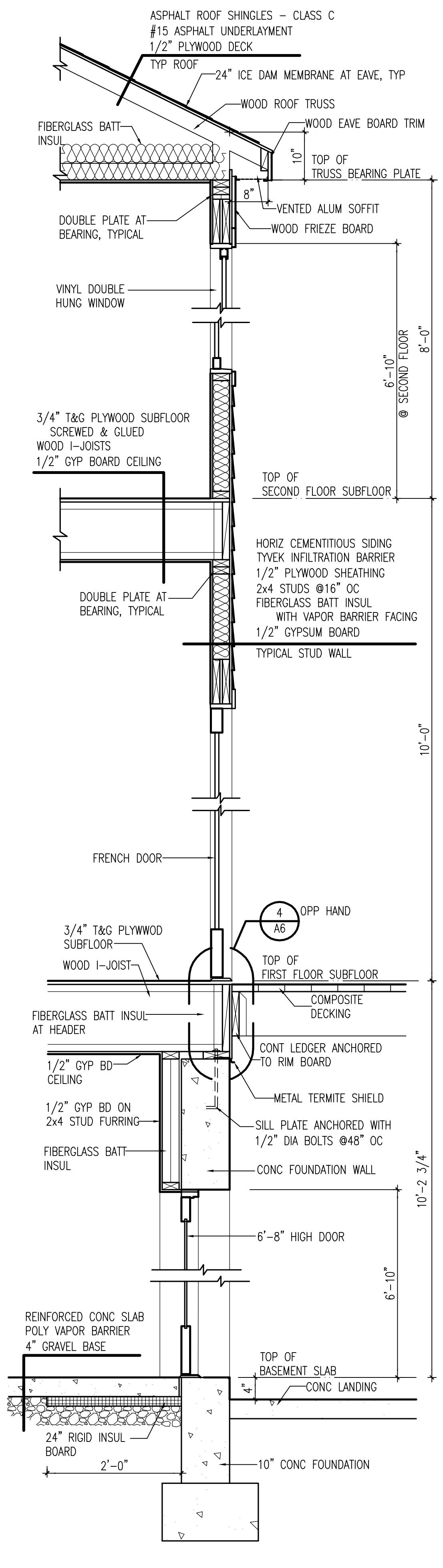
10 POST PLAN DETAIL
SCALE: 1 1/2"=1'-0"



11 PIER PLAN DETAIL
SCALE: 1 1/2"=1'-0"



12 STAIR SECTION
SCALE: 1/4"=1'-0"



13 WALL SECTION LOOKING NORTH
SCALE: 3/4"=1'-0"

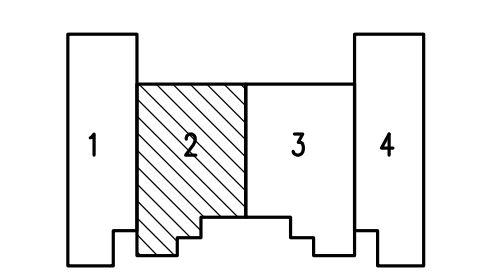
Townhouse Residence

Unit 2
2017 & 2022 South Kenmore Street
Arlington, Virginia 22204

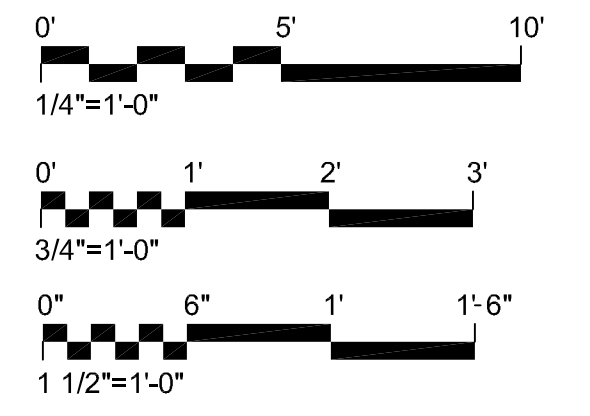
NOVITSKE ARCHITECTS

201 North Fairfax Street • Suite 33
Alexandria VA 22314
703 535 7899 • 703 535 8840 fax

key plan



graphic scales



project: 24706
phase: Preliminary - Not for Construction
date: 16 February 2018
revisions:

Elevations, Wall Sections & Details