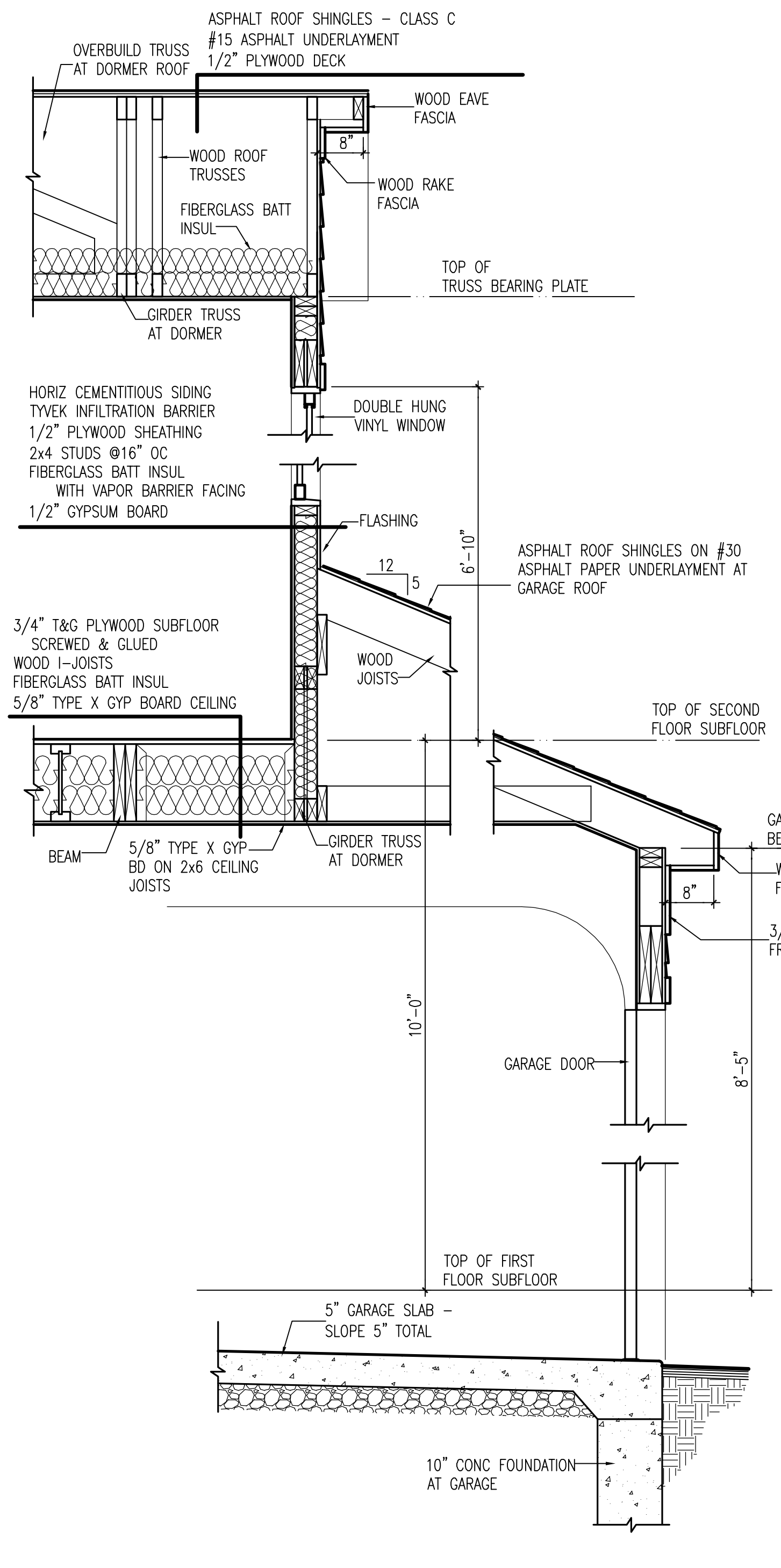
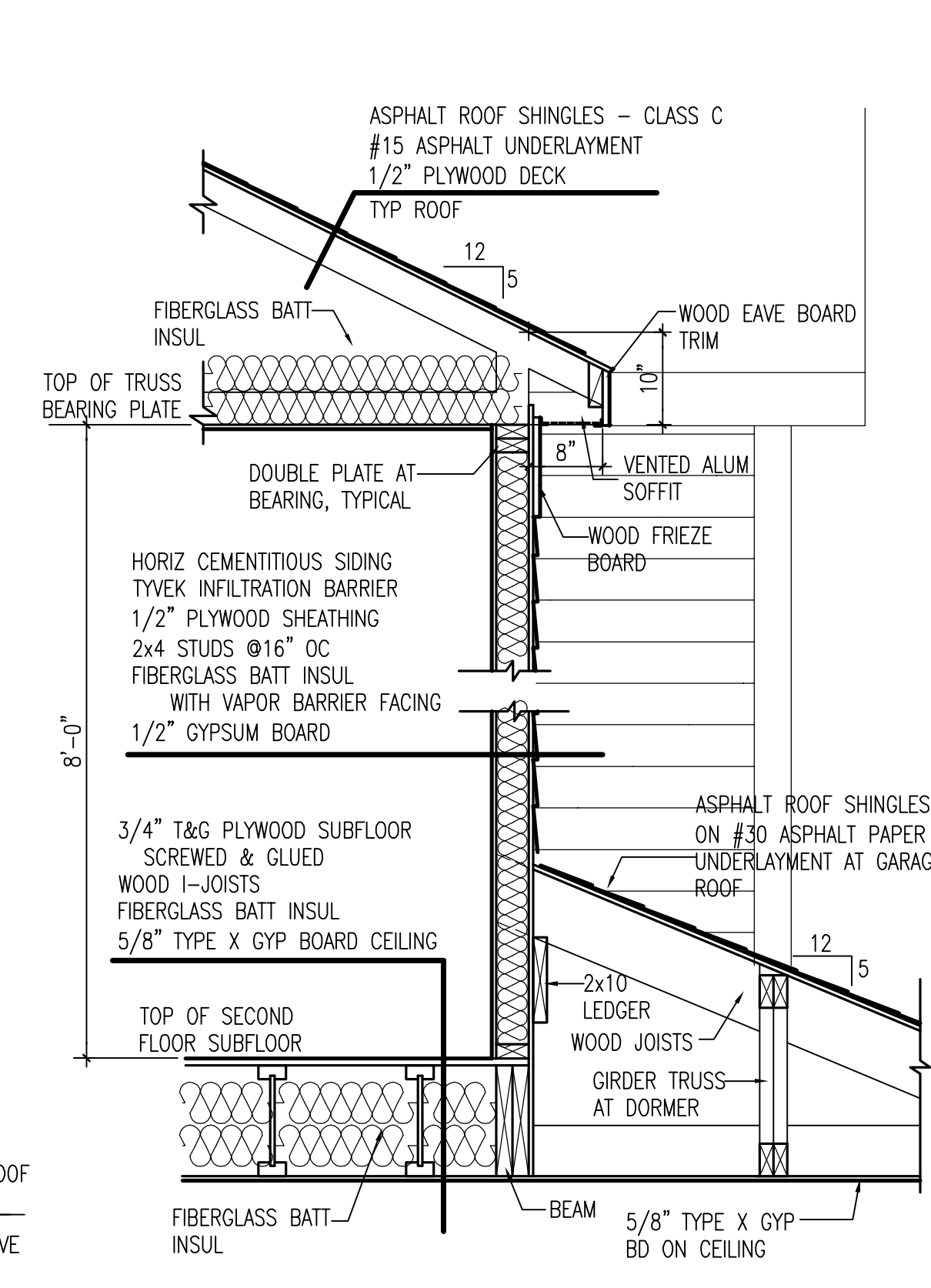


1 WALL SECTION AT ENTRY
 SCALE: 3/4"=1'-0"



2 WALL SECTION AT DORMER
 SCALE: 3/4"=1'-0"



3 WALL SECTION AT GARAGE
 SCALE: 3/4"=1'-0"

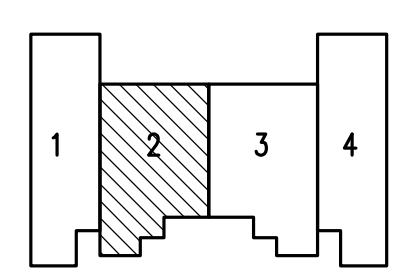
**Townhouse
 Residence**

Unit 2
 2017 & 2022 South Kenmore Street
 Arlington, Virginia 22204

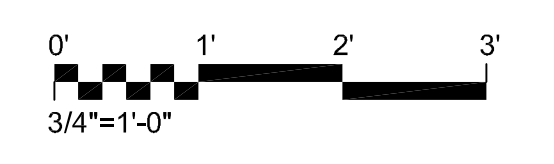
NOVITSKE ARCHITECTS

201 North Fairfax Street • Suite 33
 Alexandria VA 22314
 703 535 7899 • 703 535 8840 fax

key plan



graphic scales



project:	24706
phase:	Preliminary - Not for Construction
date:	16 February 2018
revisions:	

Wall Sections