

**Townhouse Residence**

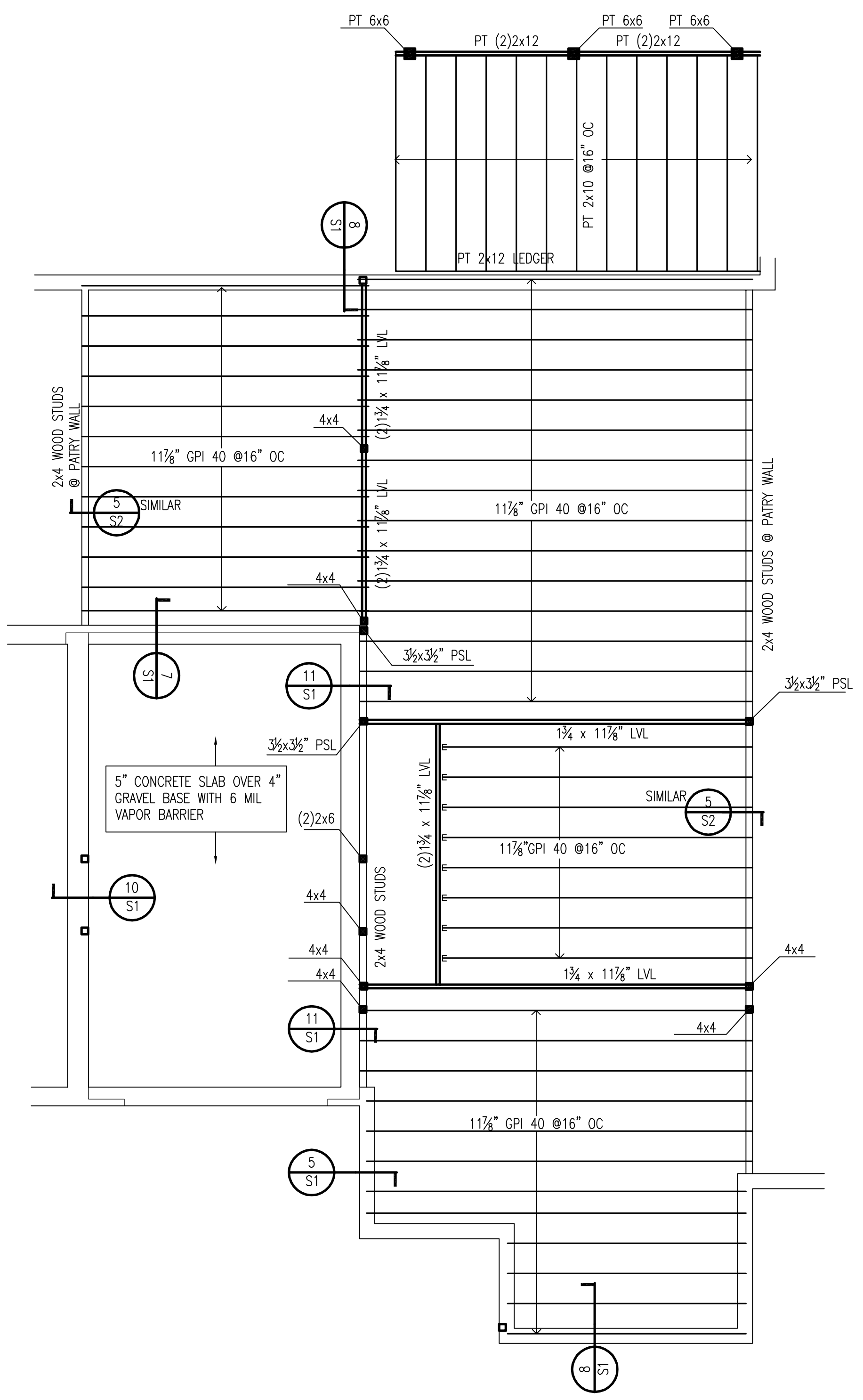
Unit 3  
2017 & 2022 South Kenmore Street  
Arlington, Virginia 22204

**NOVITSKE ARCHITECTS**

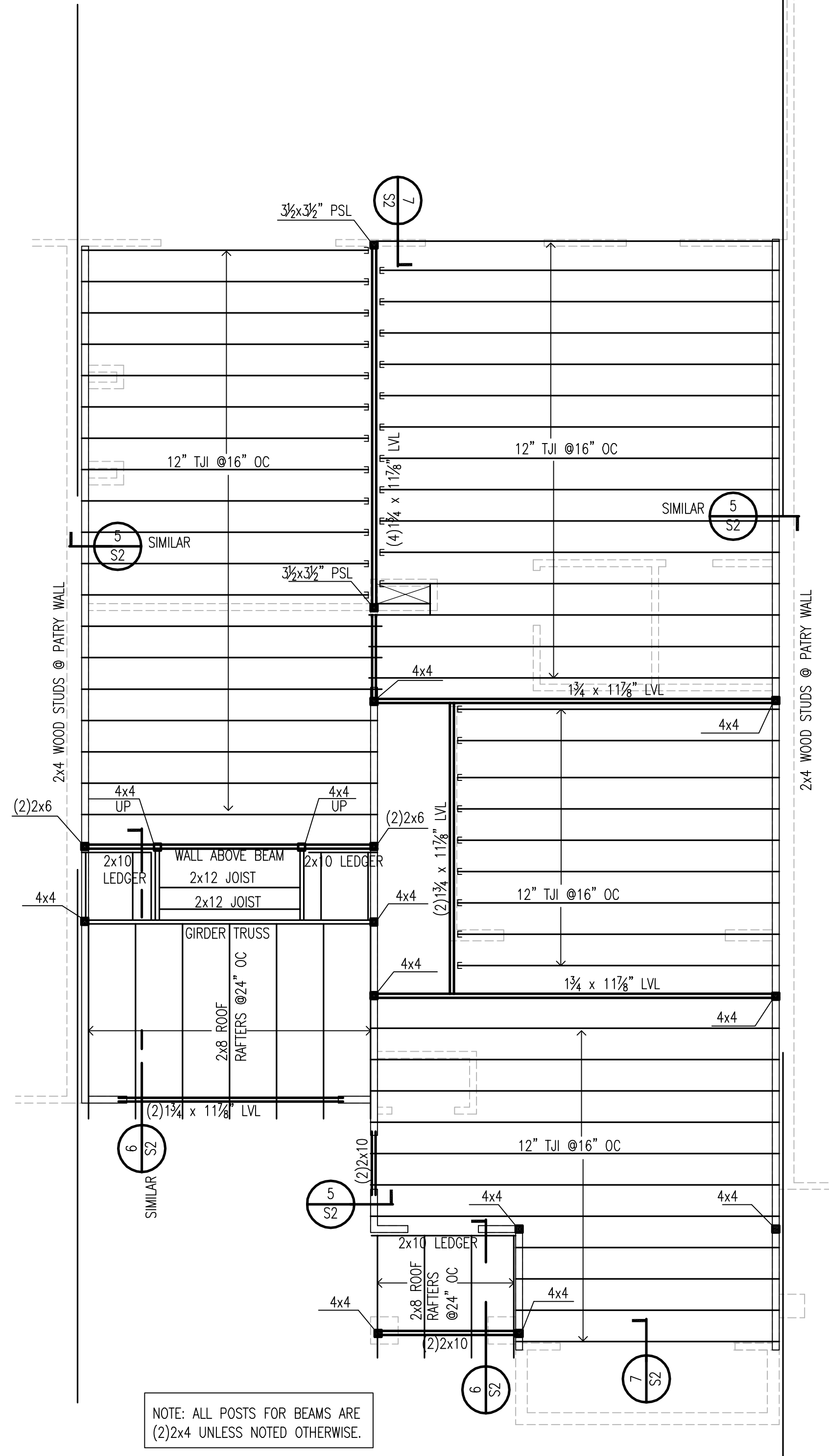
201 North Fairfax Street • Suite 33  
Alexandria VA 22314  
703 535 7899 • 703 535 8840 fax

**NADER ELHAJJ**

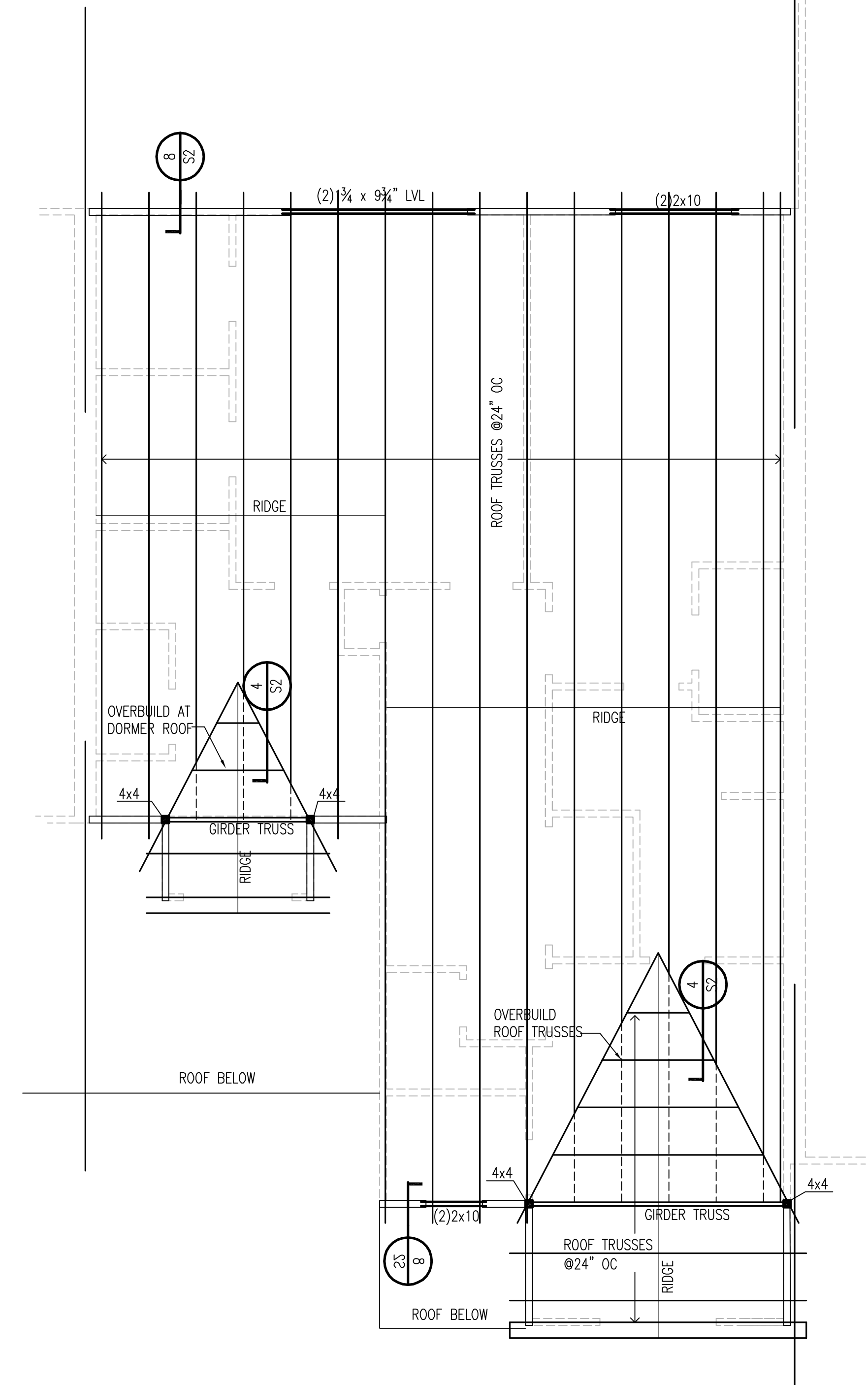
3603 McLean Avenue  
Fairfax VA 22030  
703 615 2451 • 703 563 9424 fax



**1 FIRST FLOOR FRAMING PLAN**  
SCALE: 1/4"=1'-0"  
NORTH



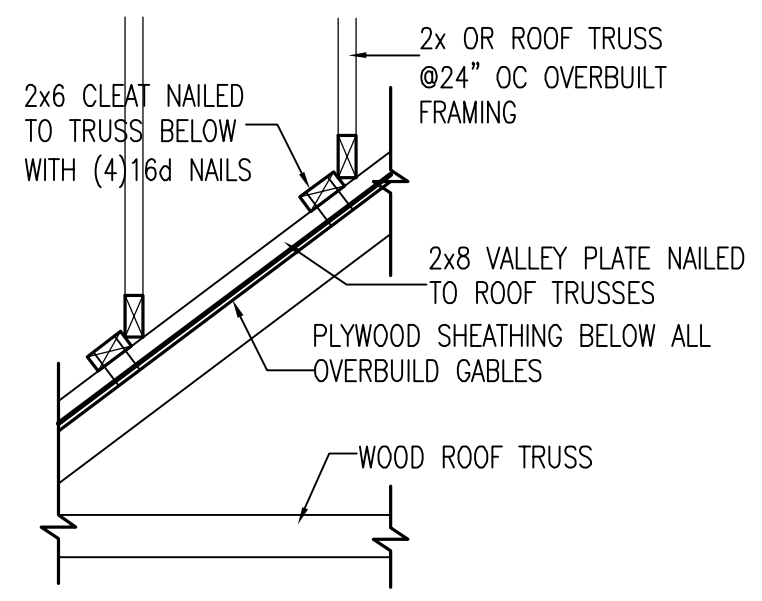
**2 SECOND FLOOR FRAMING PLAN**  
SCALE: 1/4"=1'-0"  
NORTH



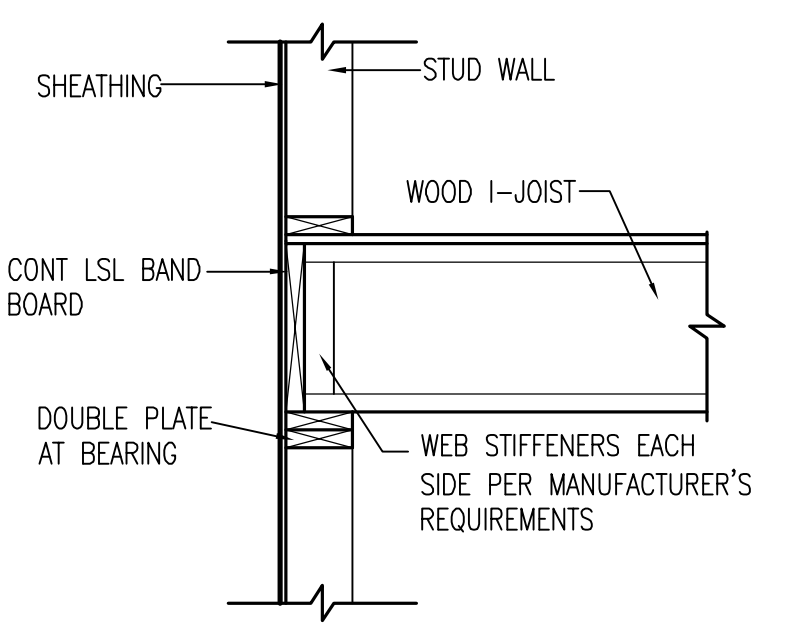
**3 ROOF FRAMING PLAN**  
SCALE: 1/4"=1'-0"  
NORTH

NOTE: ALL POSTS FOR BEAMS ARE (2)2x4 UNLESS NOTED OTHERWISE.

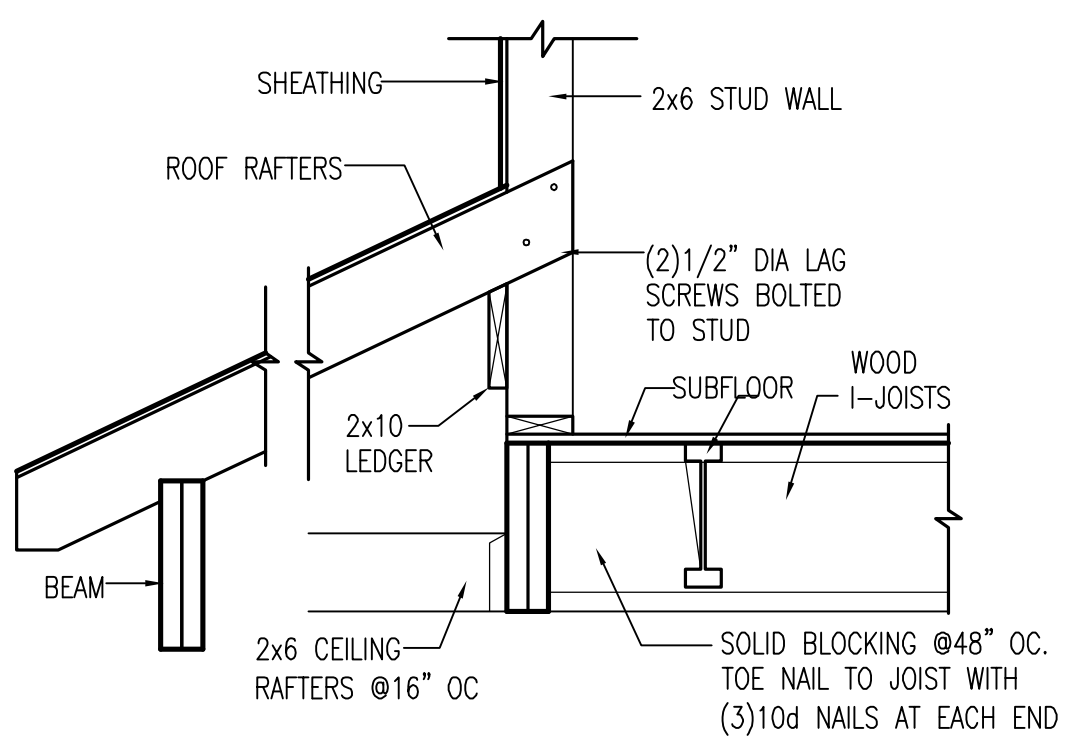
NOTE: ALL POSTS FOR BEAMS ARE (2)2x4 UNLESS NOTED OTHERWISE.



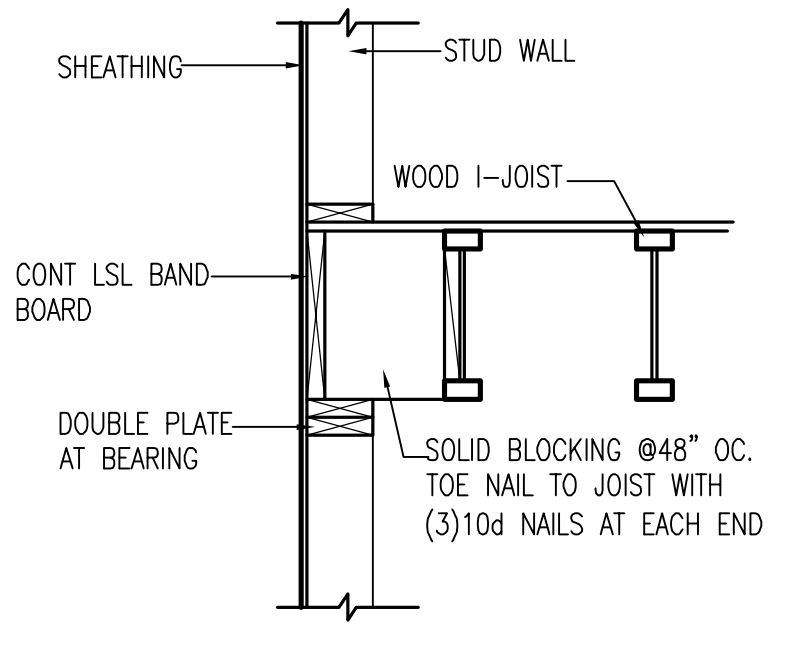
**4 OVERBUILD DETAIL**  
SCALE: 3/4"=1'-0"



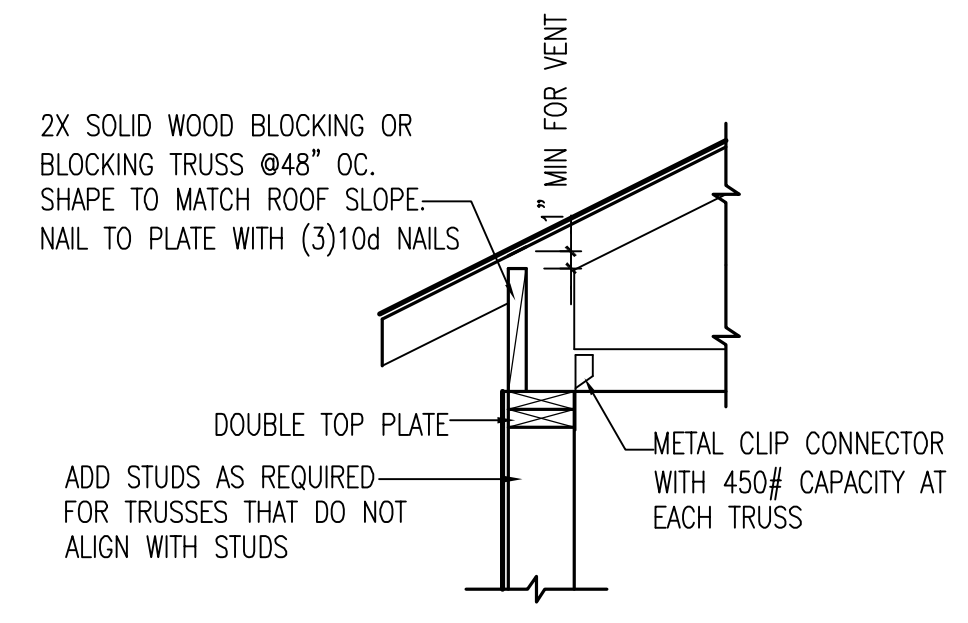
**5 JOIST BEARING DETAIL**  
SCALE: 3/4"=1'-0"



**6 ROOF LEDGER DETAIL**  
SCALE: 3/4"=1'-0"

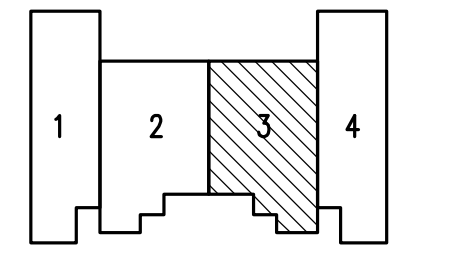


**7 JOIST BEARING DETAIL**  
SCALE: 3/4"=1'-0"

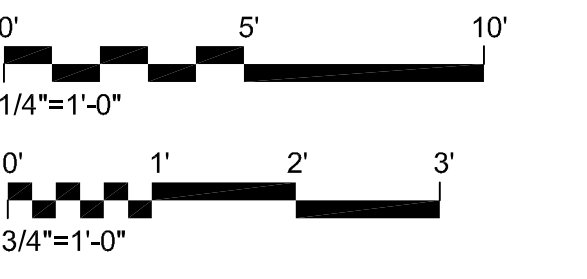


**8 TRUSS BEARING DETAIL**  
SCALE: 3/4"=1'-0"

key plan



graphic scales



project: 24706  
phase: Preliminary - Not for Construction  
date: 16 February 2018  
revisions:

Floor Framing Plans