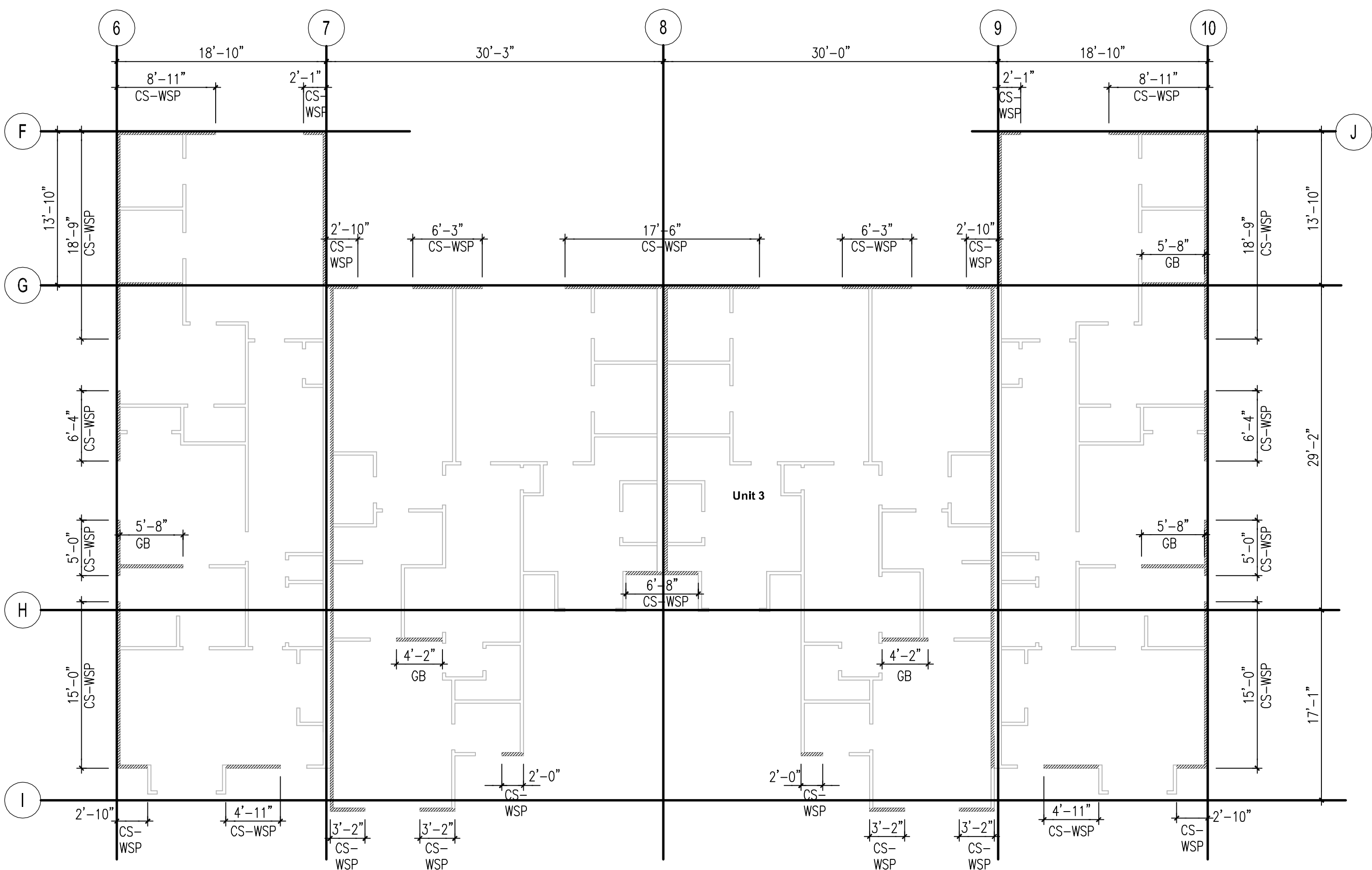
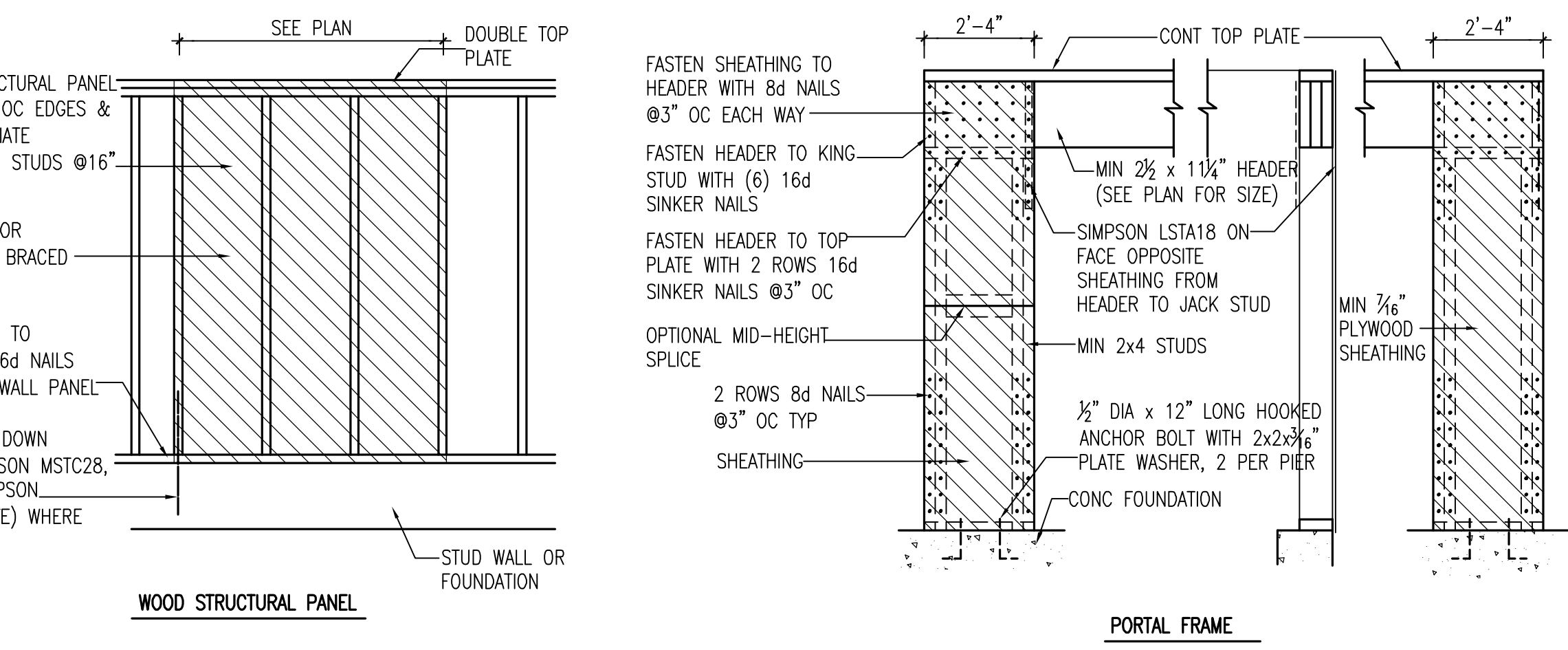
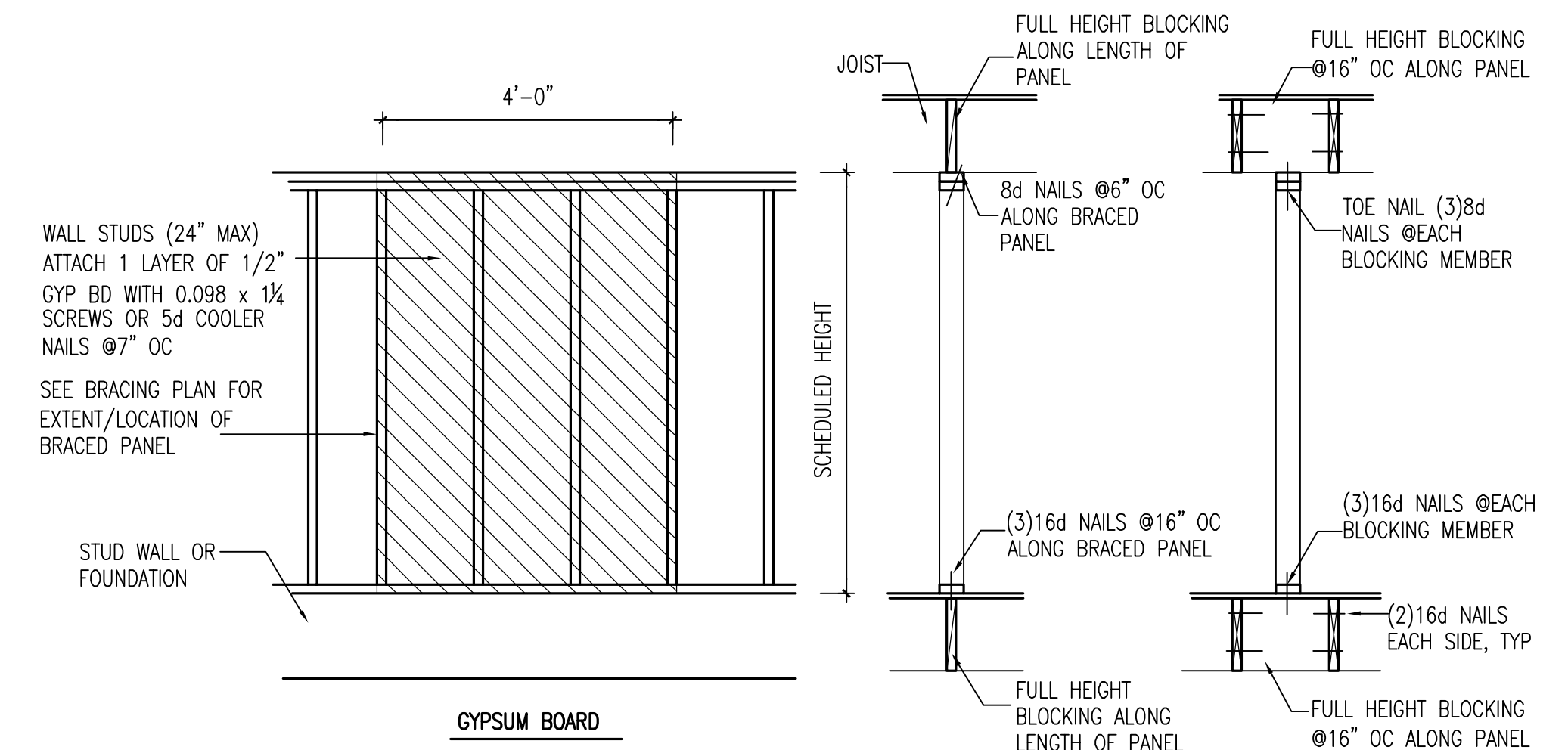


1 FIRST FLOOR BRACING PLAN
 SCALE: 1/8"=1'-0"
 NORTH



2 SECOND FLOOR BRACING PLAN
 SCALE: 1/8"=1'-0"
 NORTH



BRACING NOTES

1. WIND BRACING METHOD PER 2012 IRC SECTION R602.10.
2. BRACING METHOD: CLASSICAL METHOD WITH SC-WSP (1/6" OSB) UNO.
3. A BRACED WALL PANEL SHALL BEGIN WITHIN 12 FEET FROM EACH END OF A BRACED WALL LINE.
4. MAXIMUM BRACED WALL LINE OFFSET UP TO 4 FEET.
5. THE DISTANCE BETWEEN BRACED WALL PANELS ALONG A BRACED WALL LINE SHALL BE NO GREATER THAN 20 FEET.
6. EACH END OF A BRACED WALL LINE WITH CONTINUOUS SHEATHING MUST HAVE A 24-INCH PANEL ON BOTH SIDES OF A CORNER OR 800 POUND HOLD-DOWN DEVICE.

FIRST FLOOR BRACING CALCULATION

BWL NO.	LOCATION	BRACING TYPE	SPACING	BRACING LENGTH	WALL HEIGHT	ADJUSTMENT FACTORS			ADJUSTED BRACED LENGTH	AVAILABLE BRACED LENGTH	COMMENTS
						WALL HEIGHT	ROOF HEIGHT	NO. OF BWLS			
1	FIRST FLOOR	CS-WSP	18.9'	6.17'	9'	0.95	1.06	1.6	9.94'	39.3'	OK
2	FIRST FLOOR	GB	30.5'	18.77'	9'	0.95	1.06	1.6	30.24'	69.9'	OK
3	FIRST FLOOR	GB	30.5'	18.77'	9'	0.95	1.06	1.6	30.24'	36.2'	OK
4	FIRST FLOOR	GB	30.0'	18.5'	9'	0.95	1.06	1.6	29.81'	59.9'	OK
5	FIRST FLOOR	CS-WSP	18.9'	6.17'	9'	0.95	1.06	1.6	9.94'	41.75'	OK
A	FIRST FLOOR	CS-WSP	13.9'	4.67'	9'	0.95	1.06	1.6	7.52'	7.9'	OK
B	FIRST FLOOR	GB	29.2'	18.06'	9'	0.95	1.06	1.6	29.10'	49.75'	OK
C	FIRST FLOOR	GB	29.2'	18.06'	9'	0.95	1.06	1.6	29.10'	32.5'	OK
D	FIRST FLOOR	CS-PF	17.1'	5.63'	9'	0.95	1.06	1.6	9.07'	13'	OK
E	FIRST FLOOR	CS-WSP	13.9'	4.67'	9'	0.95	1.06	1.6	7.52'	7.9'	OK
6	SECOND FLOOR	CS-WSP	18.9'	3.33'	8'	0.9	1.12	1.6	5.37'	45'	OK
7	SECOND FLOOR	GB	30.5'	9.65'	8'	0.9	1.12	1.6	15.56'	60.5	OK
8	SECOND FLOOR	GB	30.5'	9.65'	8'	0.9	1.12	1.6	15.56'	25.4'	OK
9	SECOND FLOOR	GB	30'	9.5'	8'	0.9	1.12	1.6	29.32'	60.5'	OK
10	SECOND FLOOR	CS-WSP	18.9'	2'	8'	0.9	1.12	1.6	3.23'	45.5'	OK
F	SECOND FLOOR	CS-WSP	13.9'	2.57'	8'	0.9	1.12	1.6	4.14'	11'	OK
G	SECOND FLOOR	GB	29.2'	9.3'	8'	0.9	1.12	1.6	15.00'	47.2'	OK
H	SECOND FLOOR	GB	29.2'	9.3'	8'	0.9	1.12	1.6	15.00'	26.1'	OK
I	SECOND FLOOR	CS-WSP	17.1'	3.06'	8'	0.9	1.12	1.6	4.94'	32.2'	OK
J	SECOND FLOOR	CS-WSP	13.9'	2.58'	8'	0.9	1.12	1.6	4.16'	11.4'	OK

Townhouse Residence

Unit 3
 2017 & 2022 South Kenmore Street
 Arlington, Virginia 22204

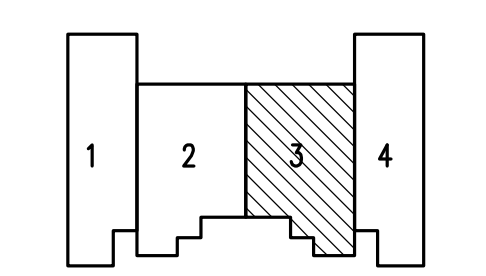
NOVITSKE ARCHITECTS

201 North Fairfax Street • Suite 33
 Alexandria VA 22314
 703 535 7899 • 703 535 8840 fax

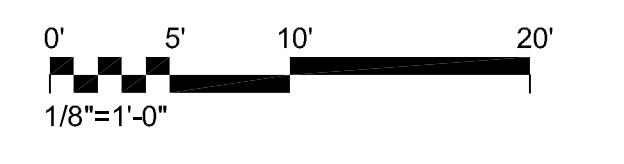
NADER ELHAJJ

3603 McLean Avenue
 Fairfax VA 22030
 703 615 2451 • 703 563 9424 fax

key plan



graphic scales



project: 24706
 phase: Preliminary - Not for Construction
 date: 16 February 2018
 revisions:

Bracing Plans & Details