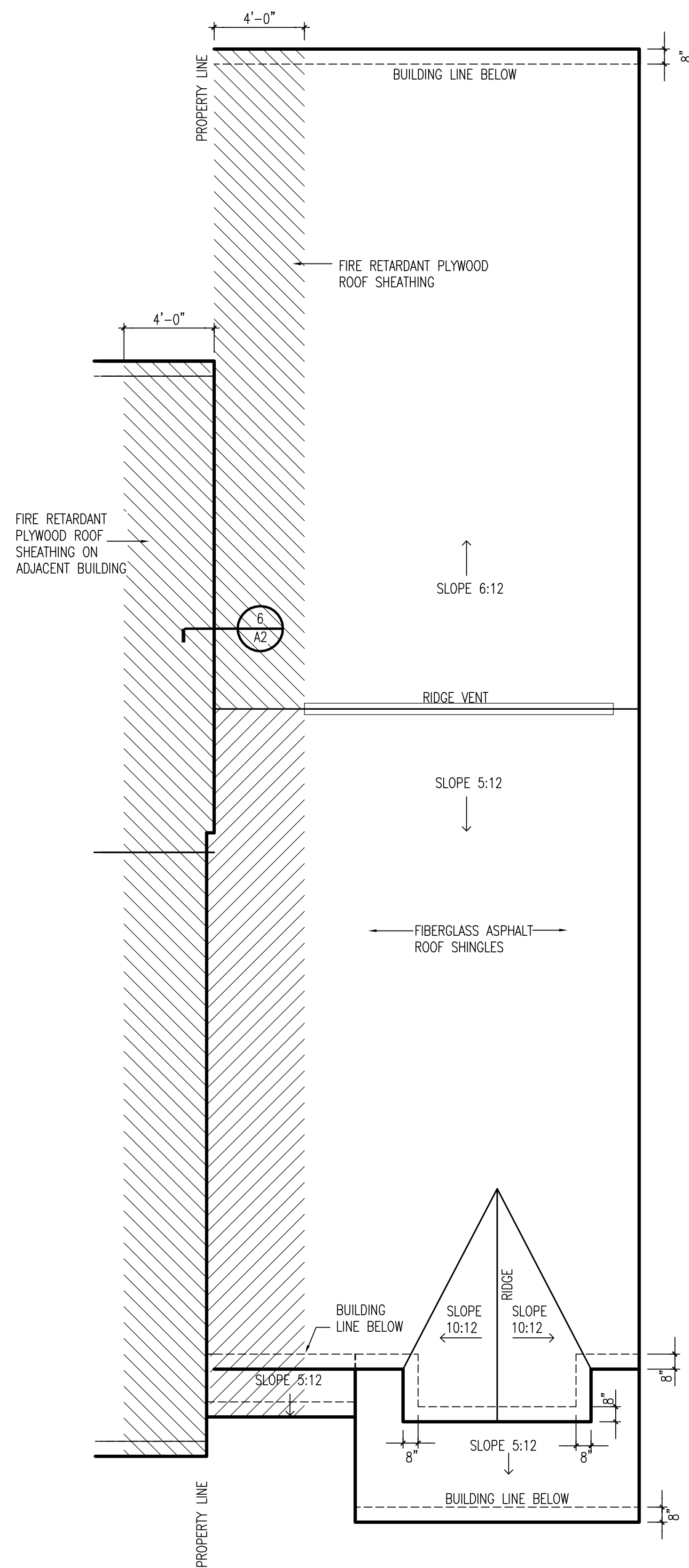
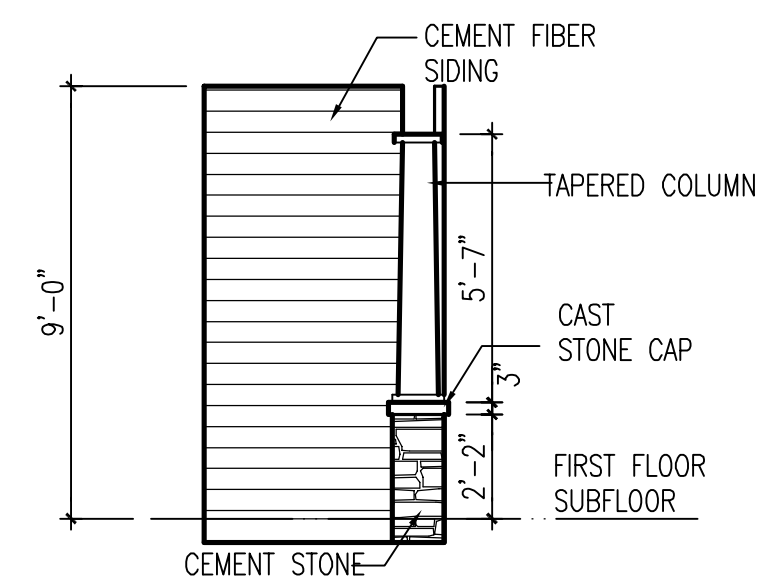


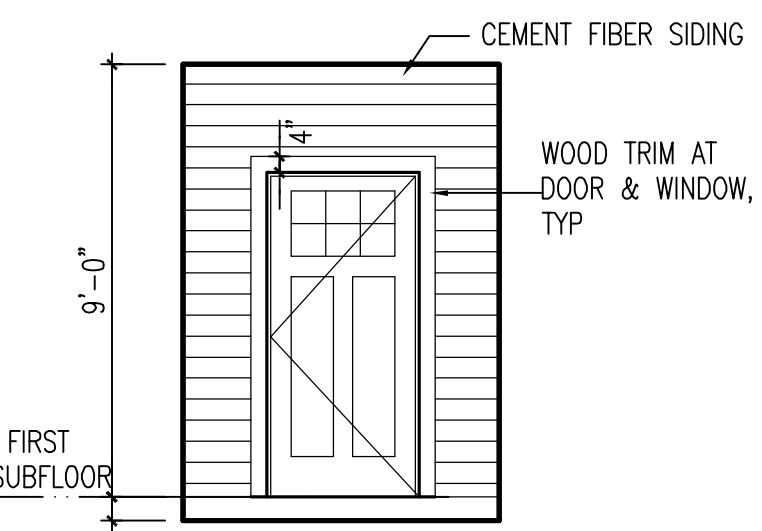
1 SECOND FLOOR PLAN
SCALE: 1/4"=1'-0"
NORTH



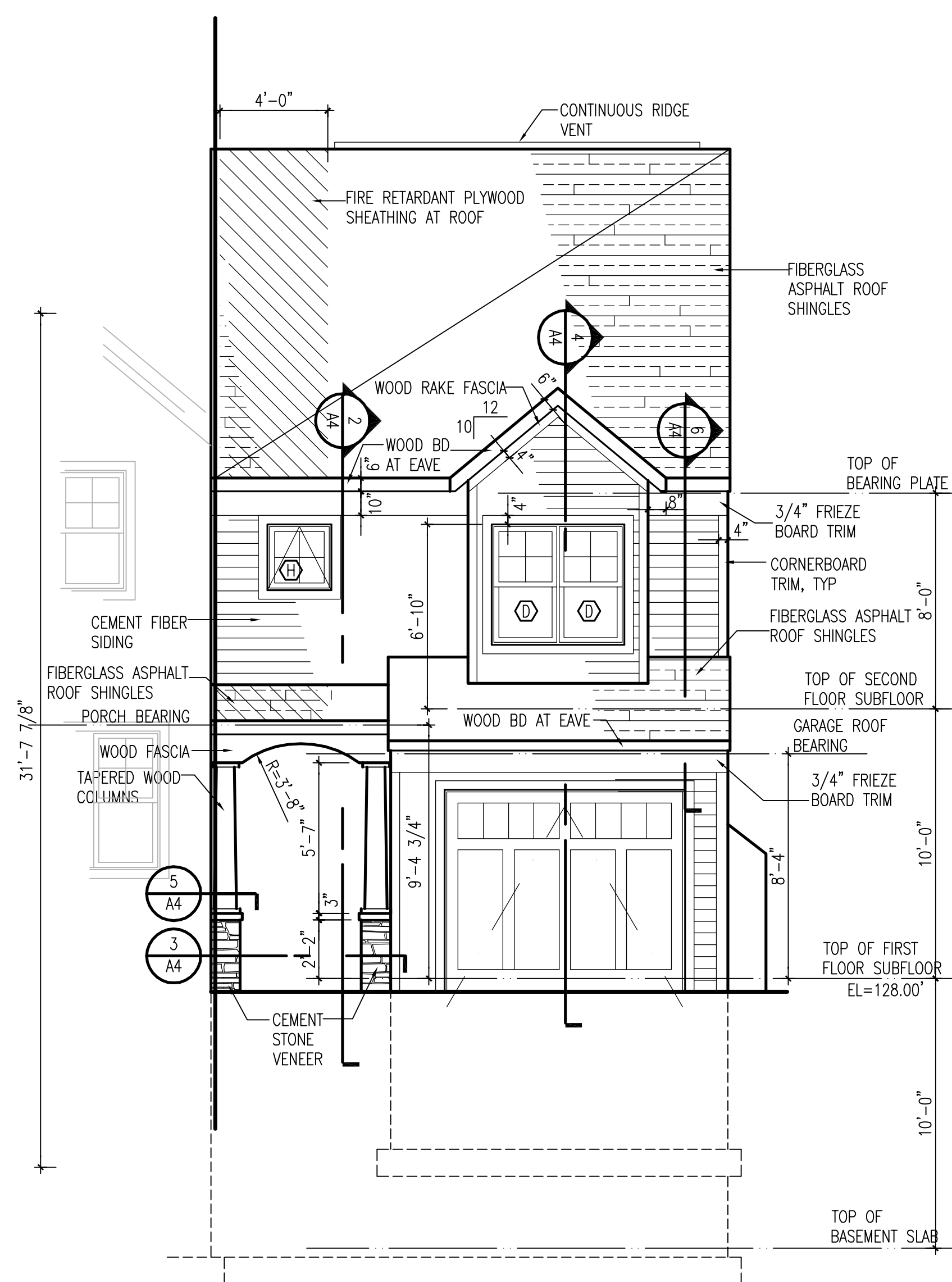
2 ROOF PLAN
SCALE: 1/4"=1'-0"



3 PARTIAL SOUTH ELEVATION
SCALE: 1 1/2"=1'-0"

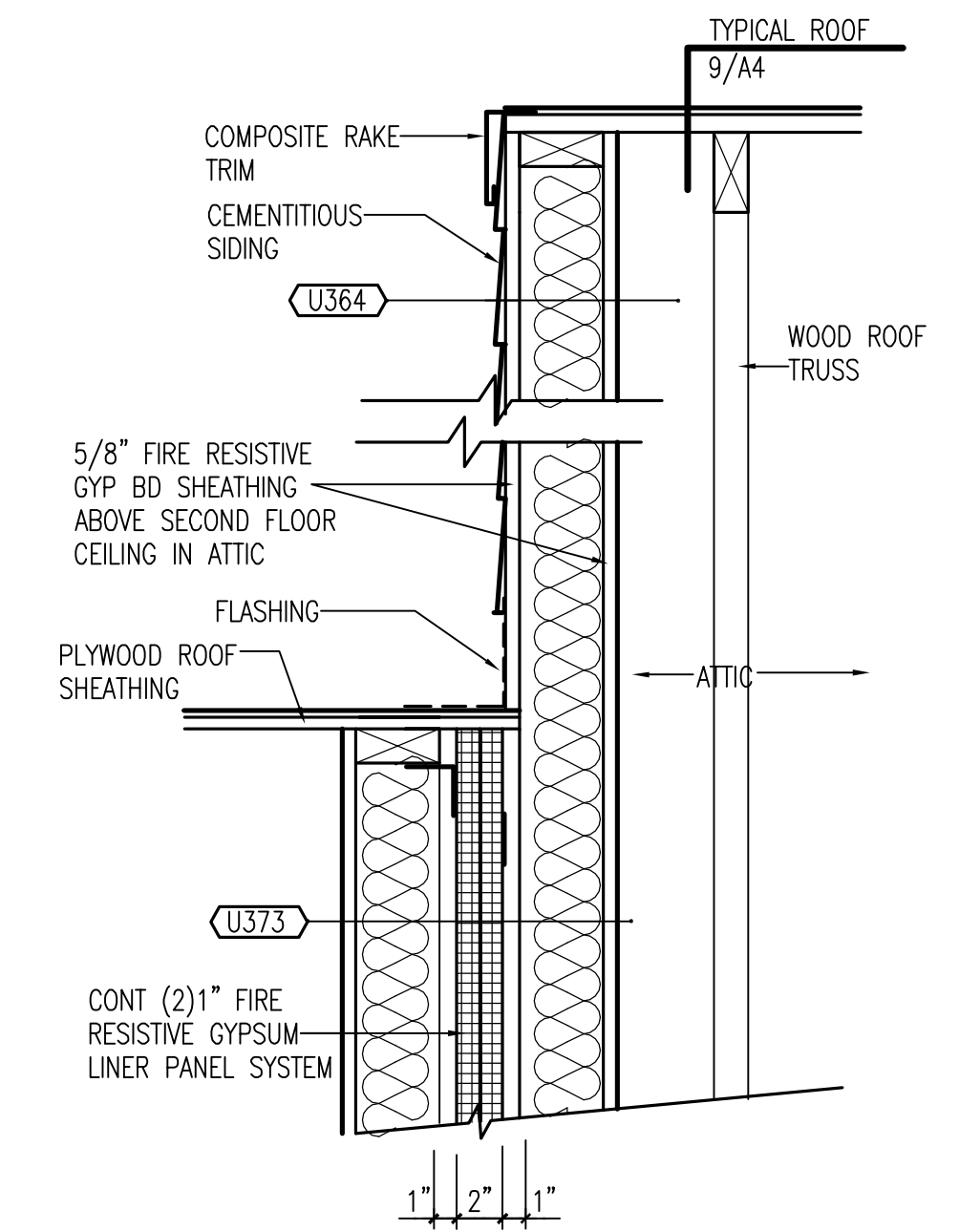


4 PARTIAL WEST ELEVATION
SCALE: 1 1/2"=1'-0"

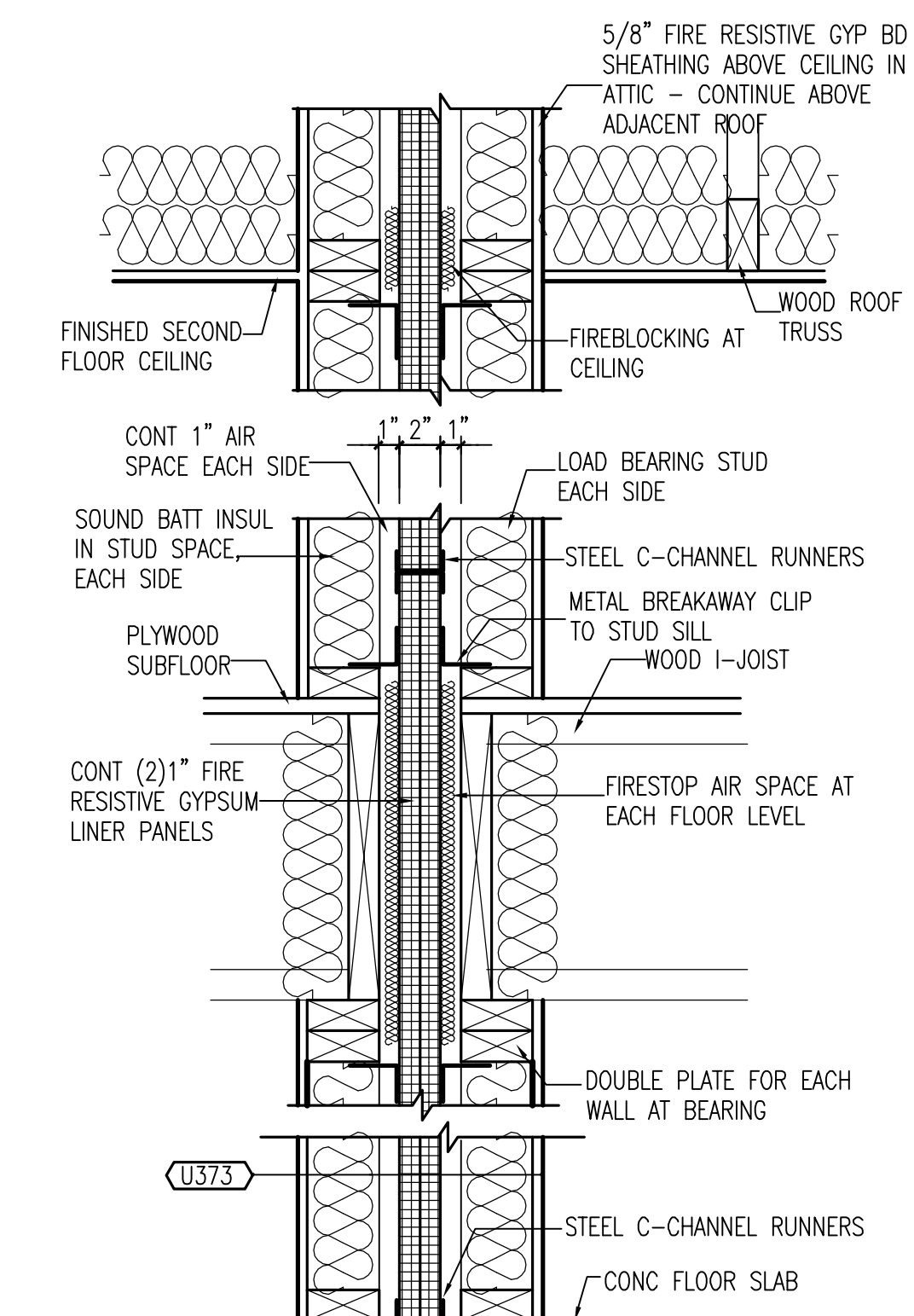


5 WEST ELEVATION
SCALE: 1/4"=1'-0"

- KEY NOTES**
- CLOTHES ROD AND 12" SHELF IN CLOSET.
 - WALL-MOUNTED HANDRAIL AT 3'-0" ABOVE STAIR TREAD.
 - 3'-0" HIGH GUARD RAIL ANCHORED TO BEAM AT FLOOR.
 - PULL-DOWN ACCESS STAIR TO ATTIC IN CEILING.



6 PARTY WALL ABOVE ROOF
SCALE: 1 1/2"=1'-0"



7 PARTY WALL DETAIL
SCALE: 1 1/2"=1'-0"

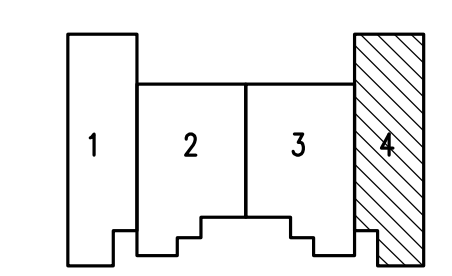
Townhouse Residence

Unit 4
2017 & 2022 South Kenmore Street
Arlington, Virginia 22204

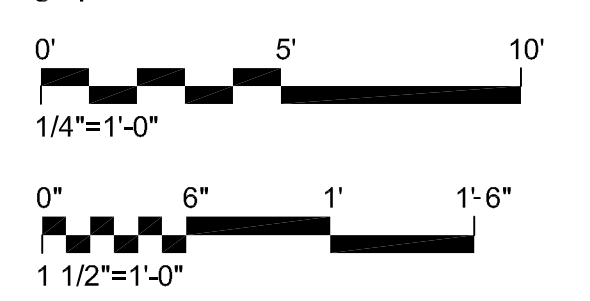
NOVITSKE ARCHITECTS

201 North Fairfax Street • Suite 33
Alexandria VA 22314
703 535 7899 • 703 535 8840 fax

key plan



graphic scales



project: 24706
phase: Preliminary - Not for Construction
date: 16 February 2018
revisions:

Floor Plan, Roof Plan, Elevations, & Details