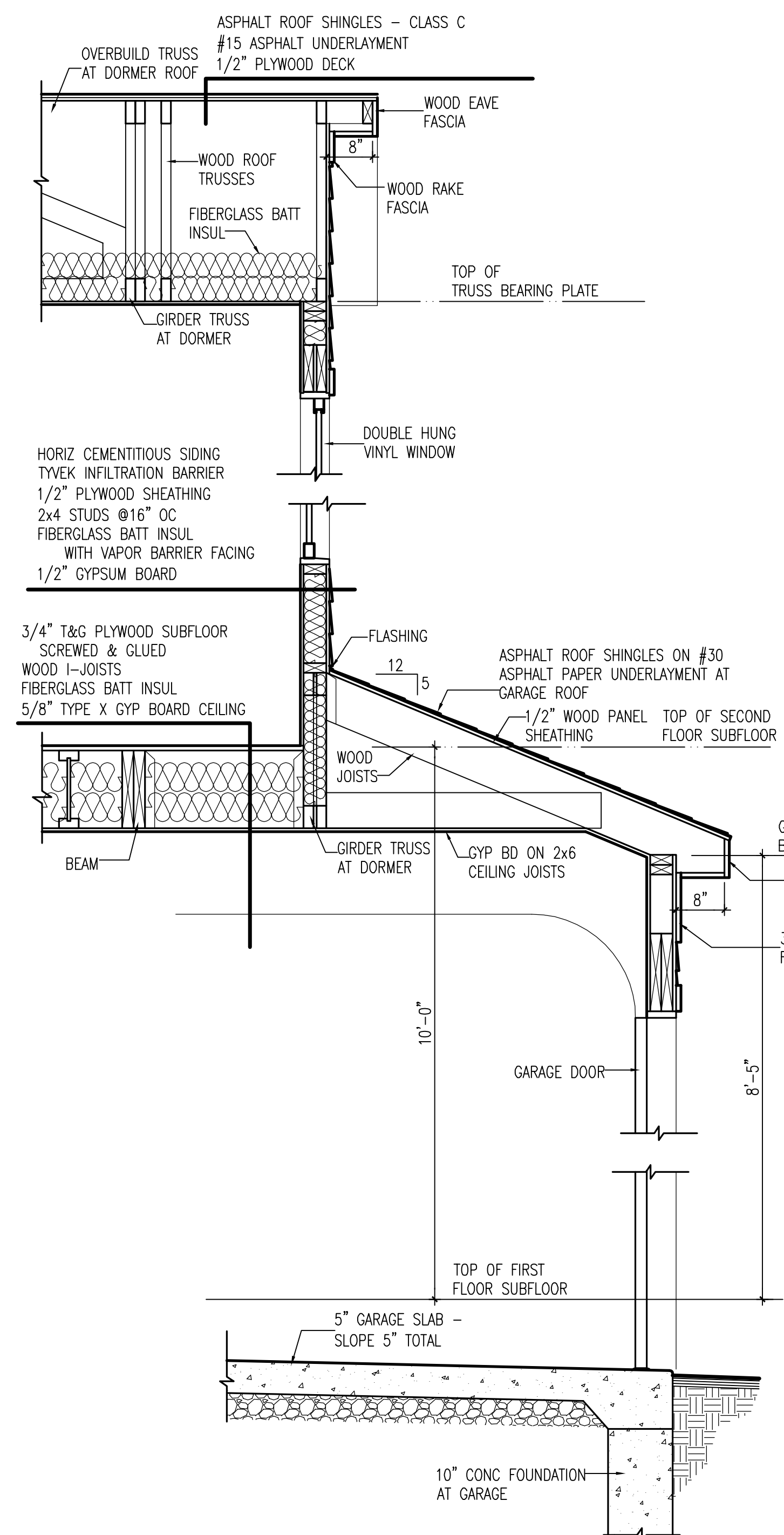
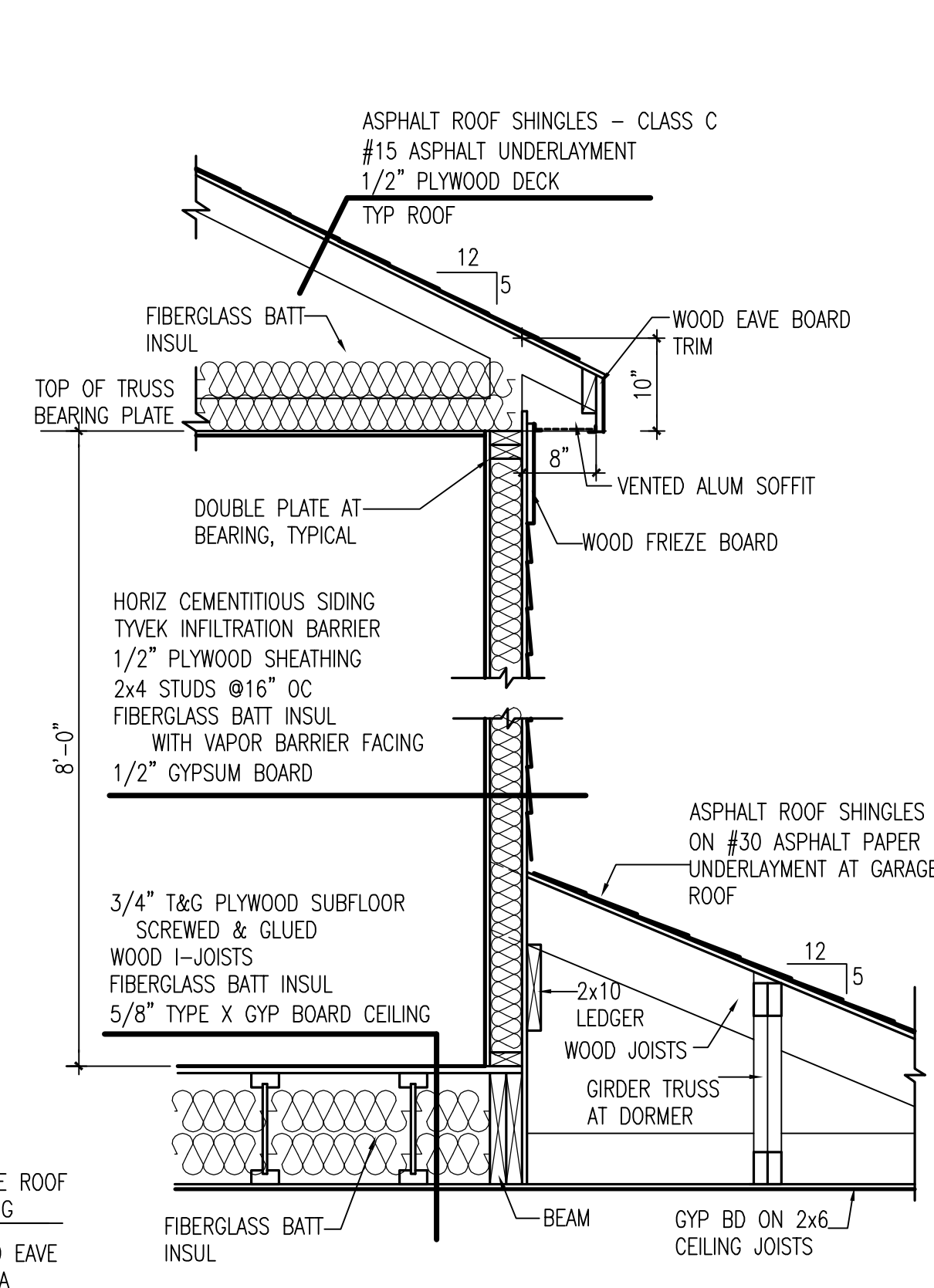


1 WALL SECTION AT PORCH
A5 SCALE: 3/4"=1'-0"



2 WALL SECTION AT DORMER
A5 SCALE: 3/4"=1'-0"



3 WALL SECTION AT GARAGE
A5 SCALE: 3/4"=1'-0"

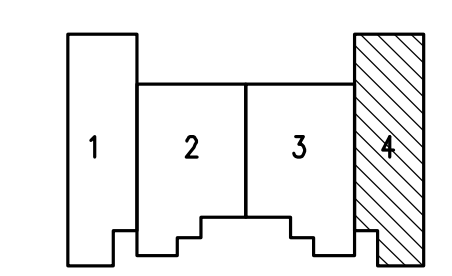
Townhouse Residence

Unit 4
2017 & 2022 South Kenmore Street
Arlington, Virginia 22204

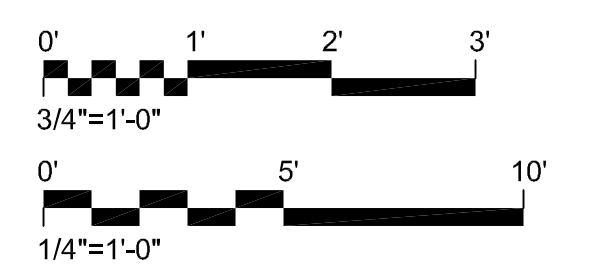
NOVITSKE ARCHITECTS

201 North Fairfax Street • Suite 33
Alexandria VA 22314
703 535 7899 • 703 535 8840 fax

key plan



graphic scales



project: 24706
phase: Preliminary - Not for Construction
date: 16 February 2018
revisions:

Wall Sections