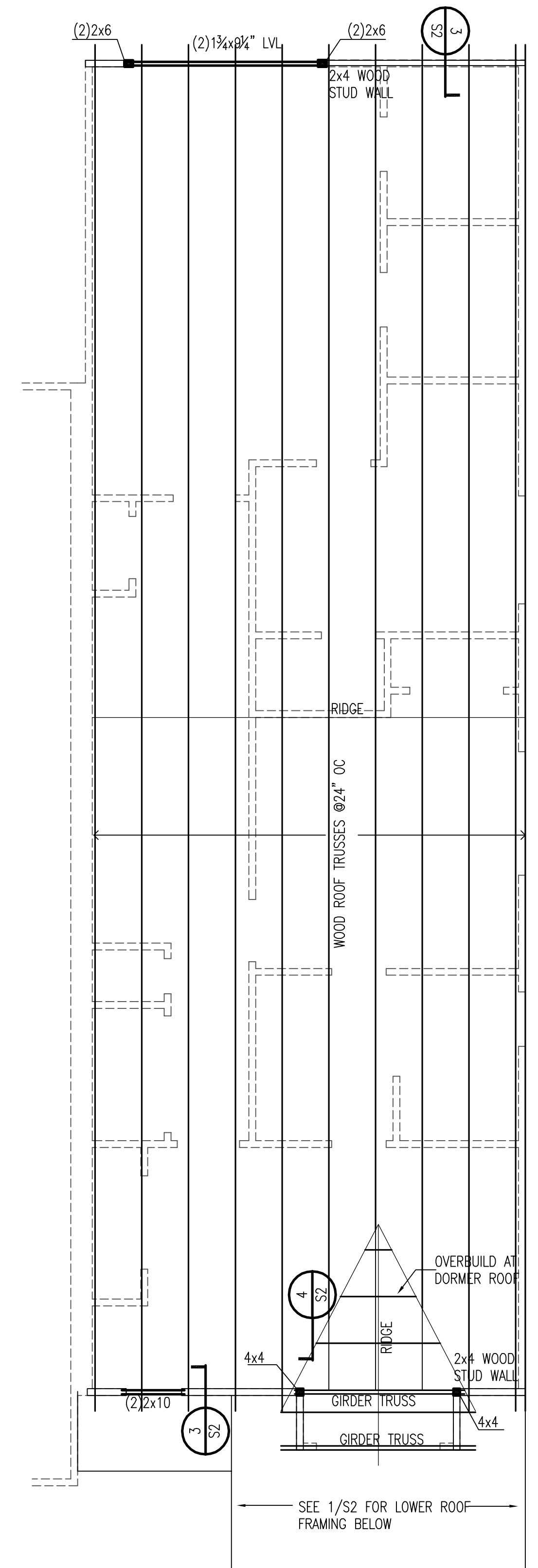


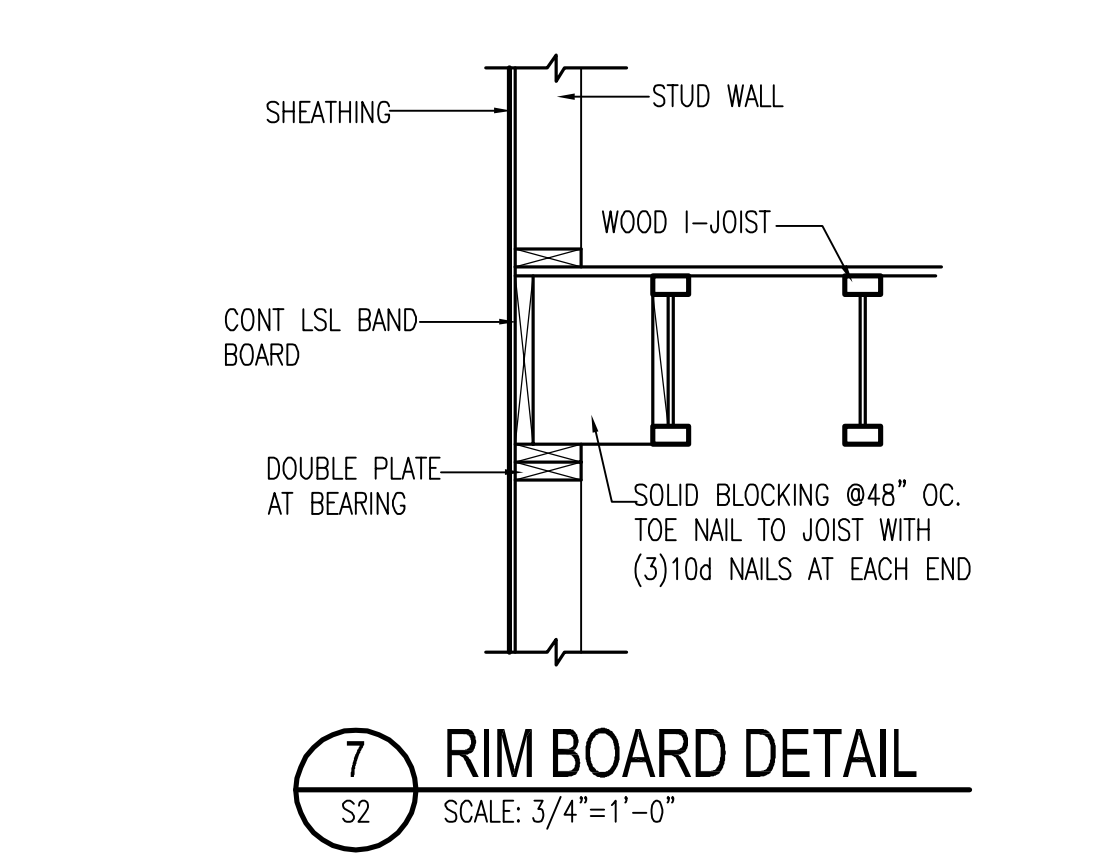
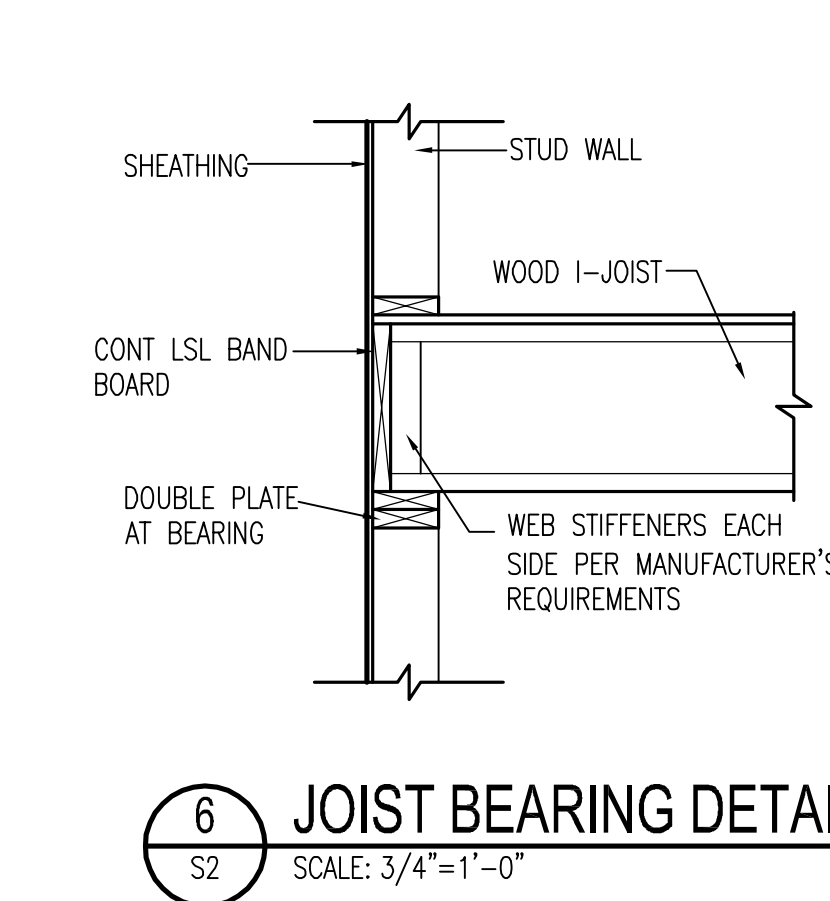
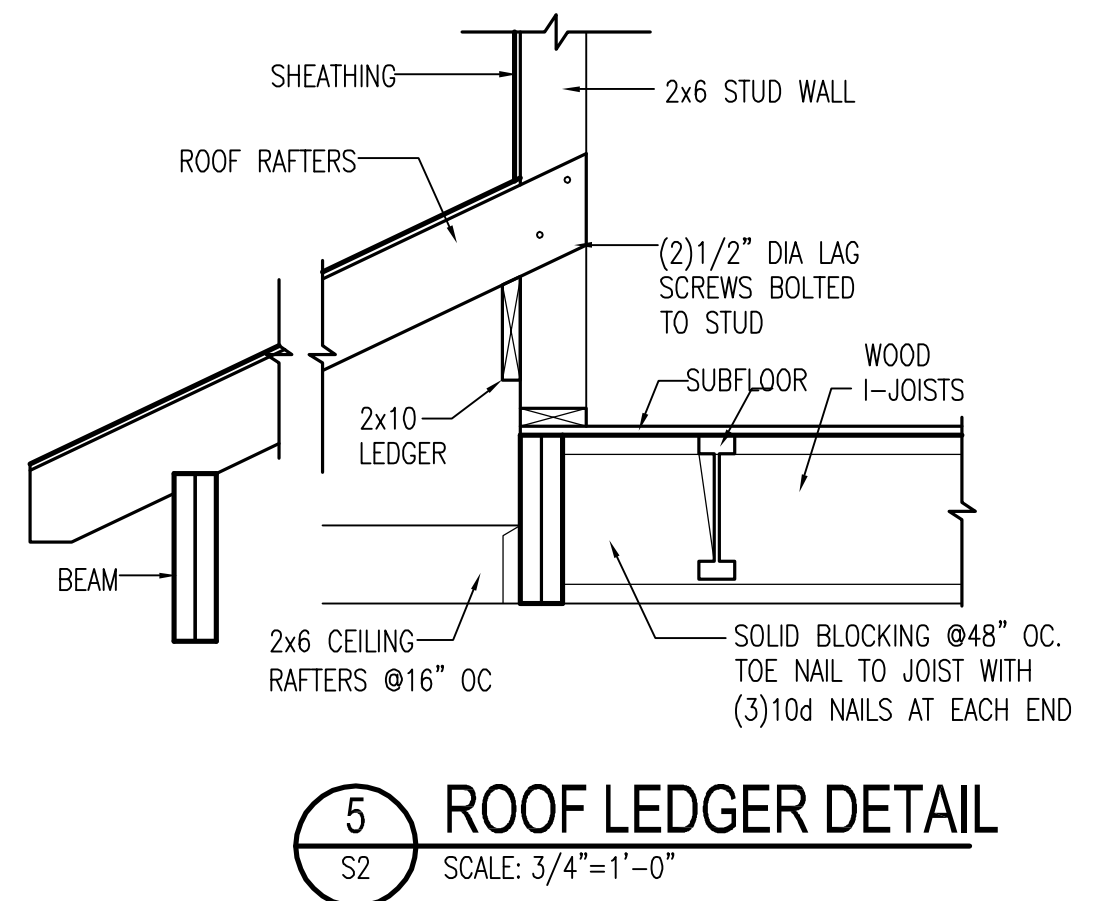
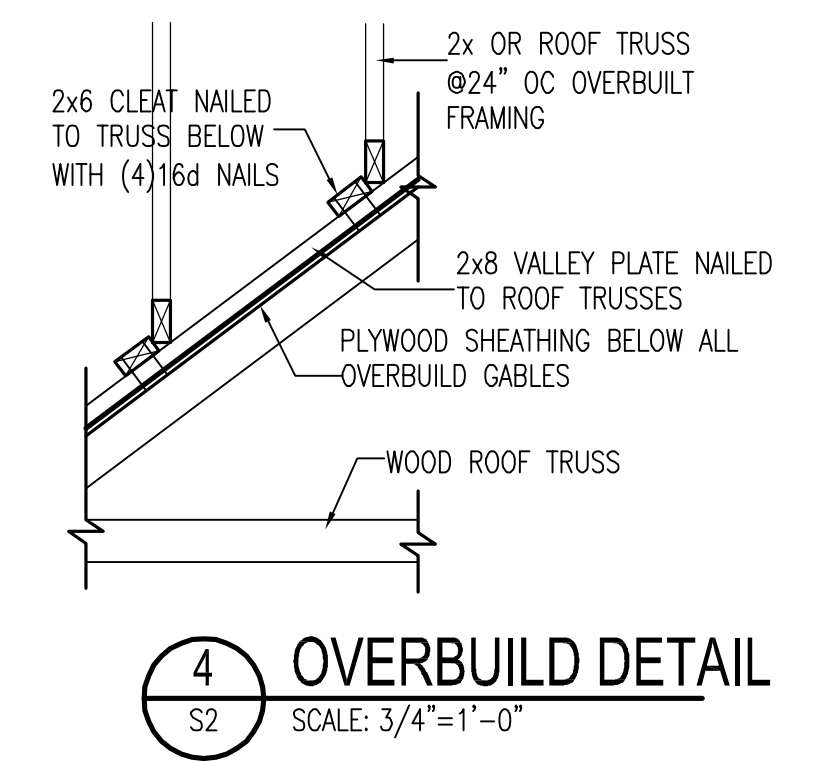
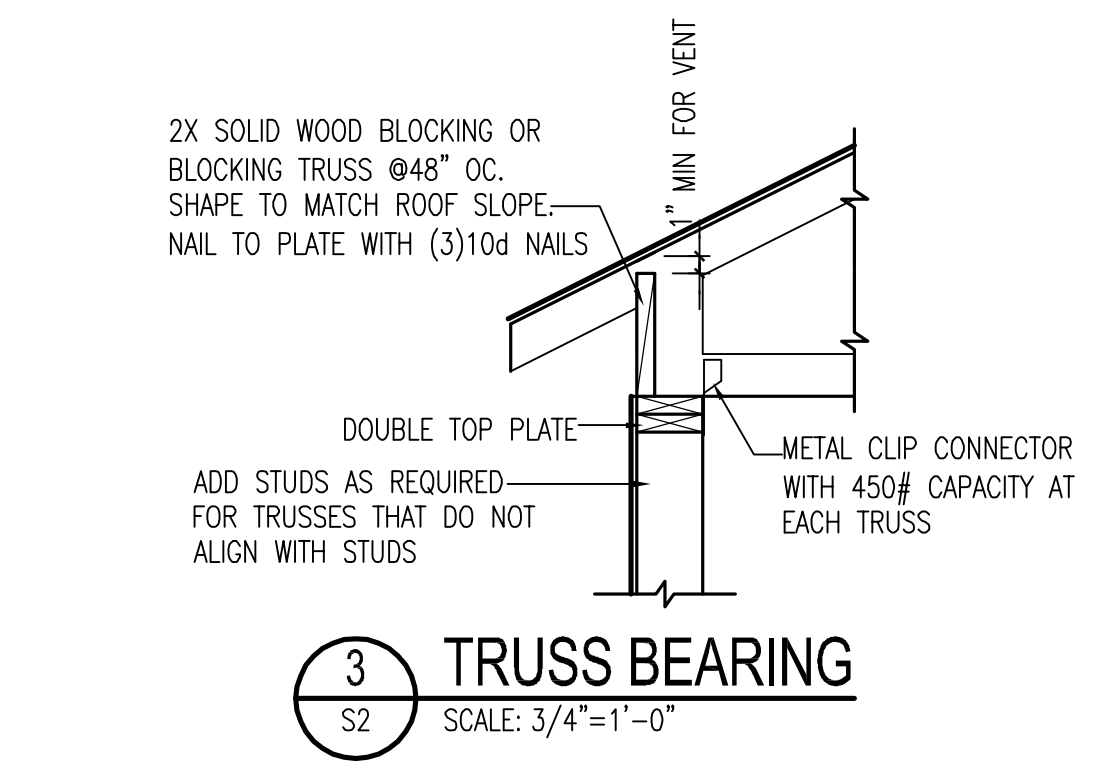
1 SECOND FLOOR FRAMING PLAN
SCALE: 1/4"=1'-0"
plan NORTH

NOTE: ALL POSTS FOR BEAMS ARE (2)2x4 UNLESS NOTED OTHERWISE.



2 ROOF FRAMING PLAN
SCALE: 1/4"=1'-0"
plan NORTH

NOTE: ALL POSTS FOR BEAMS ARE (2)2x4 UNLESS NOTED OTHERWISE.



Townhouse Residence

Unit 4
2017 & 2022 South Kenmore Street
Arlington, Virginia 22204

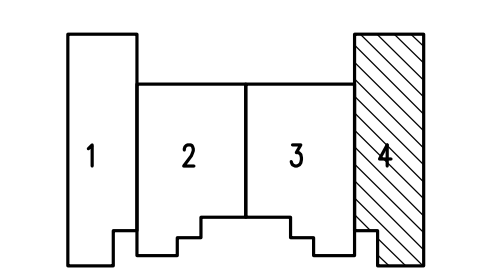
NOVITSKE ARCHITECTS

201 North Fairfax Street • Suite 33
Alexandria VA 22314
703 535 7899 • 703 535 8840 fax

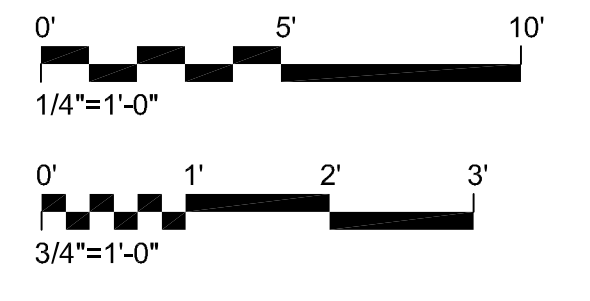
NADER ELHAJJ

3603 McLean Avenue
Fairfax VA 22030
703 615 2451 • 703 563 9424 fax

key plan



graphic scales



project: 24706
phase: Preliminary - Not for Construction
date: 16 February 2018
revisions:

Framing Plans & Details