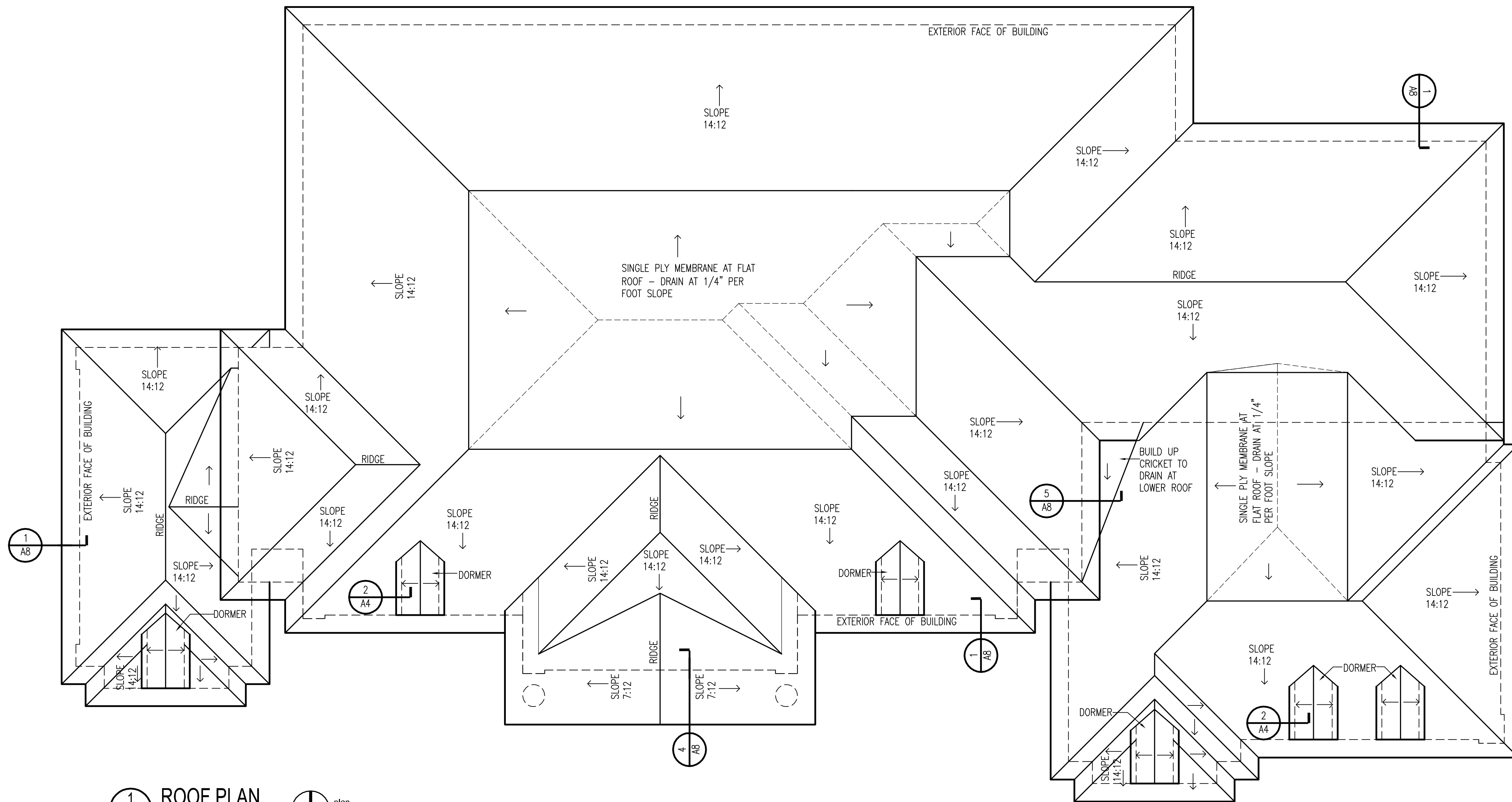


Residence

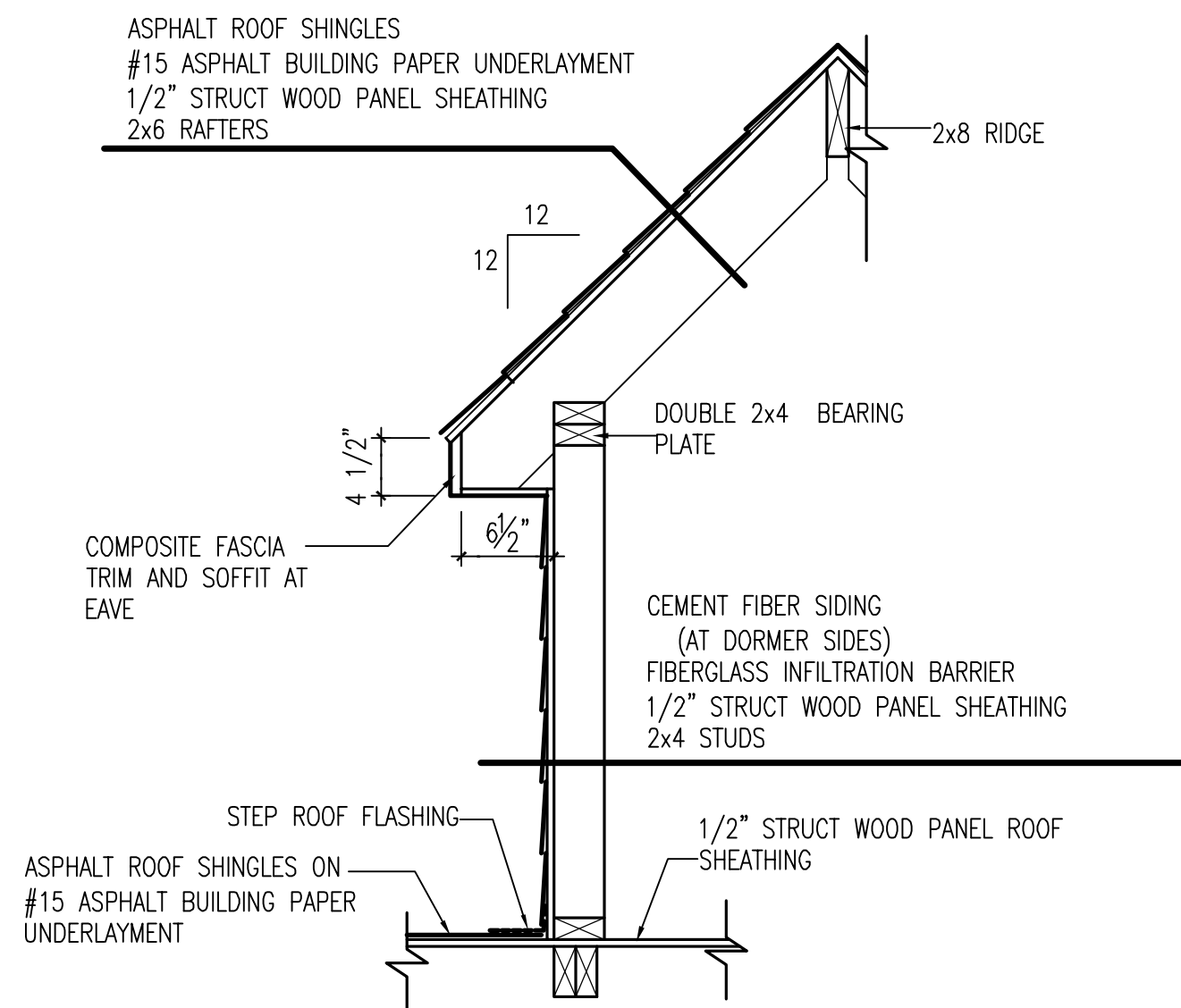
931 Old Dominion Drive
McLean, Virginia 22102

NOVITSKE ARCHITECTS

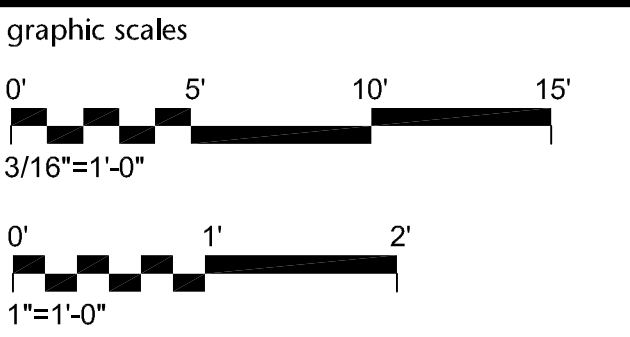
201 North Fairfax Street • Suite 33
Alexandria VA 22314
703 535 7899 • 703 535 8840 fax



1 ROOF PLAN
SCALE: 3/16"=1'-0"
plan
NORTH



2 DORMER SECTION
SCALE: 1"=1'-0"



project:	24712
phase:	Permit
date:	8 November 2018
revisions:	

Roof Plan & Details