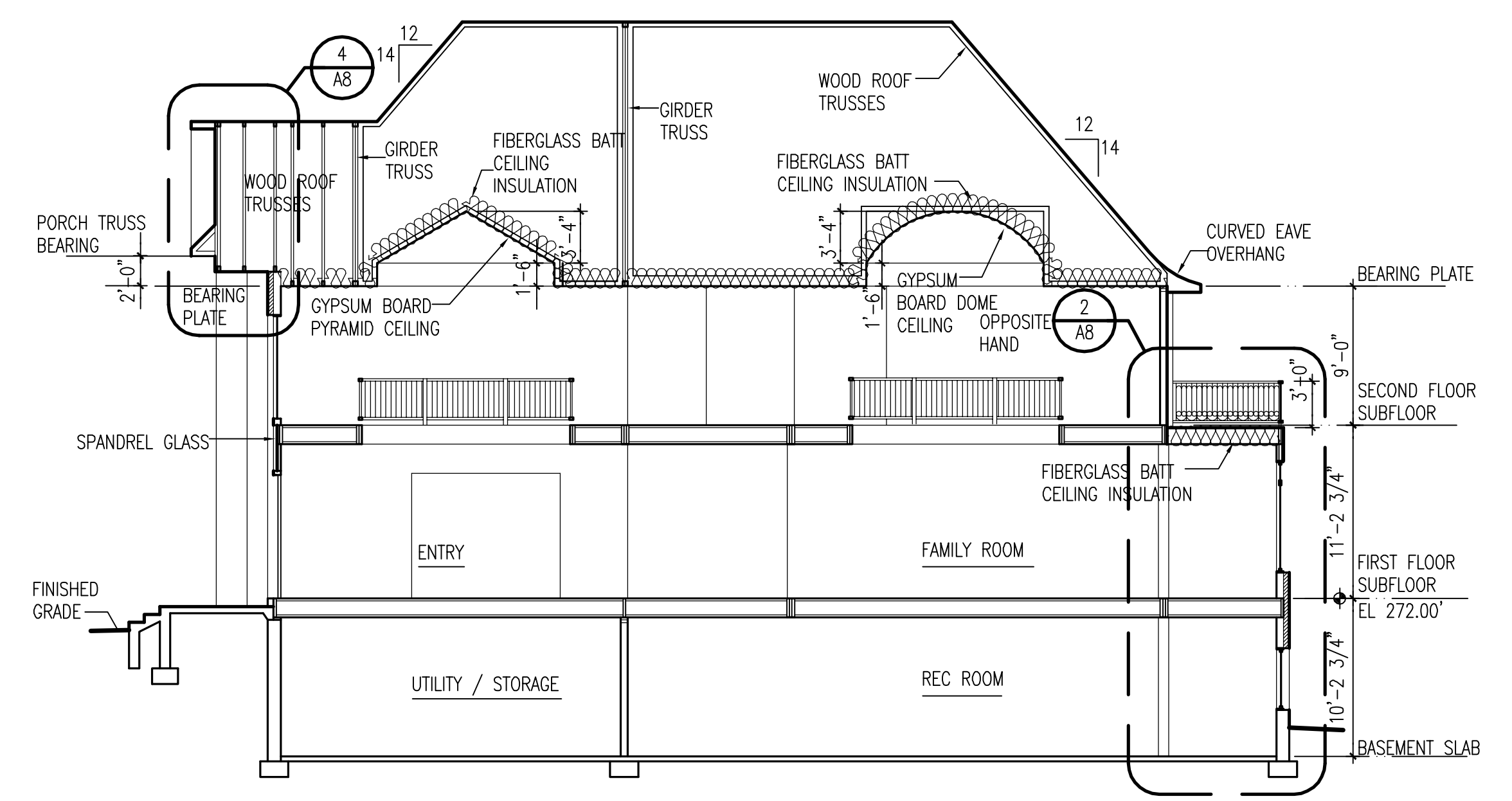
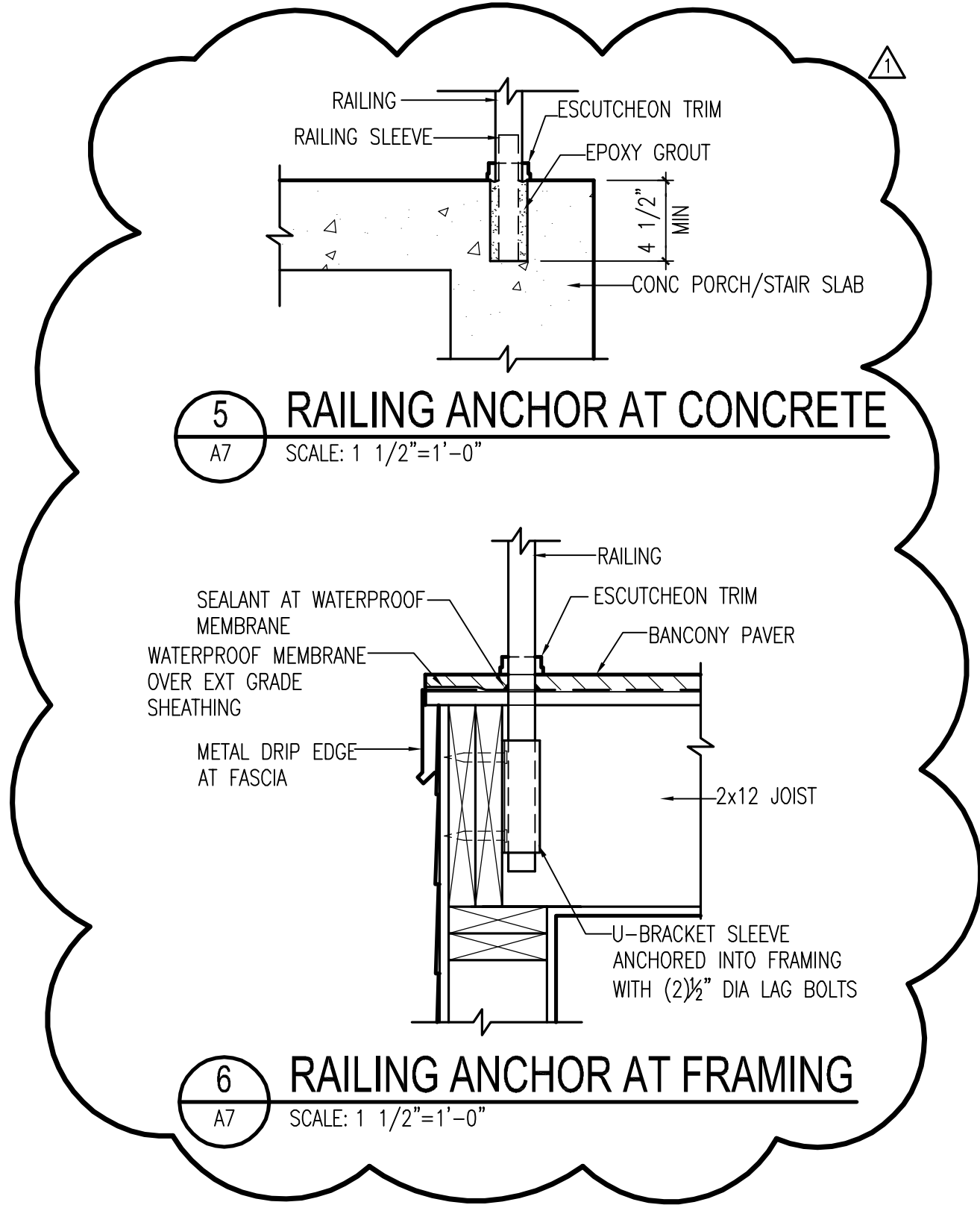
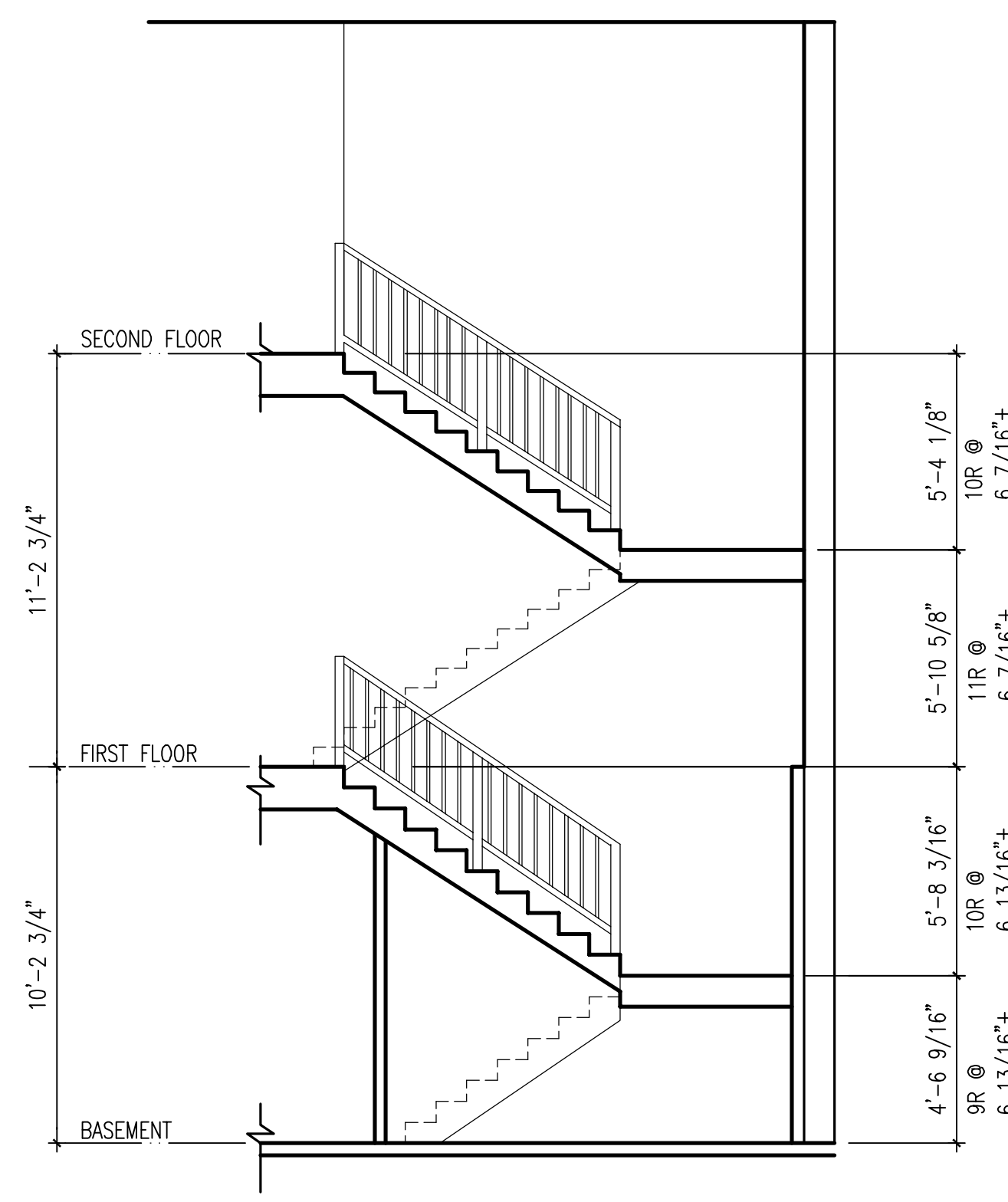


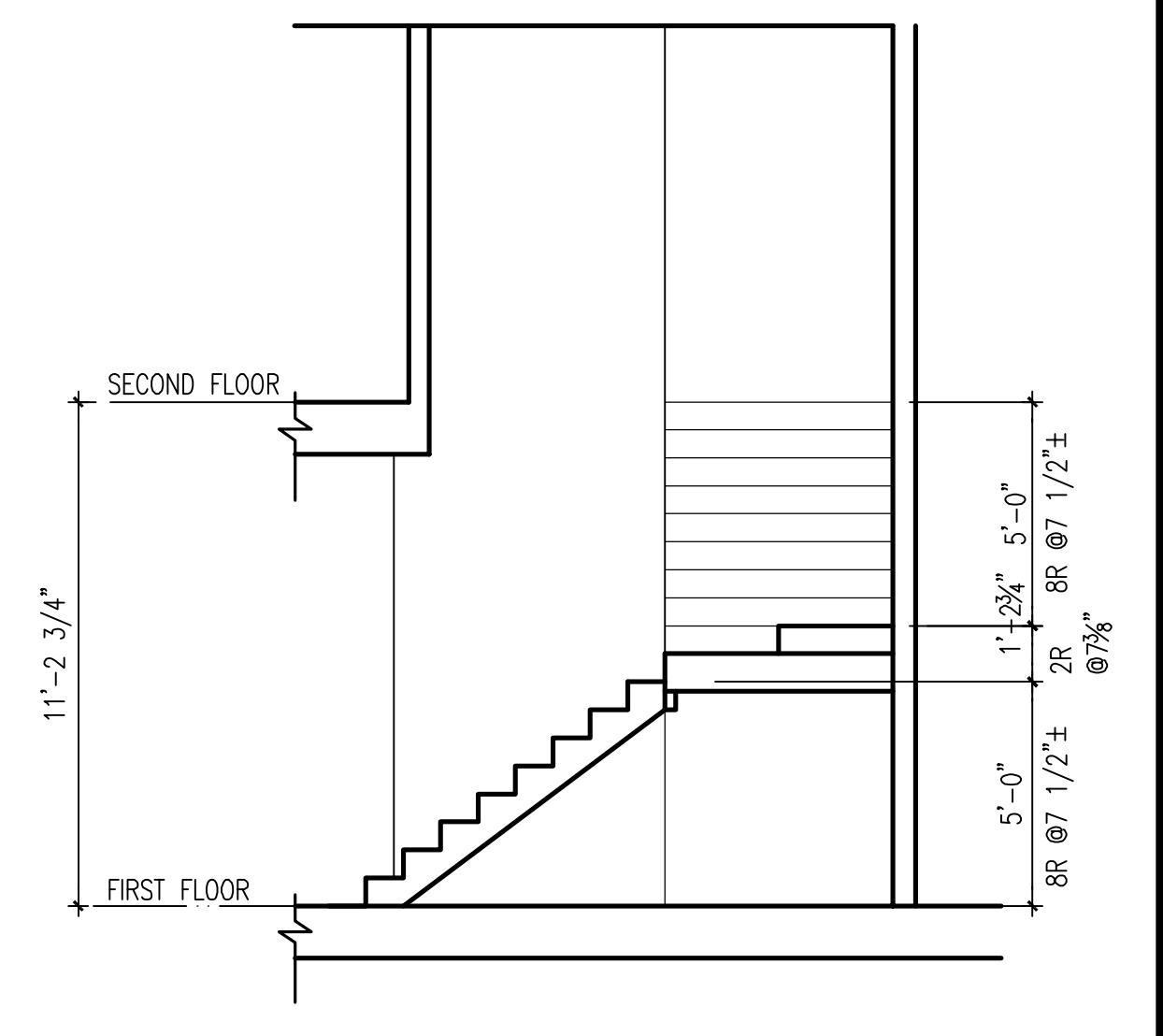
**1 SECTION LOOKING WEST**  
SCALE: 1/8"=1'-0"



**2 SECTION LOOKING SOUTH**  
SCALE: 1/8"=1'-0"



**3 STAIR SECTION**  
SCALE: 1/4"=1'-0"



**4 STAIR SECTION**  
SCALE: 1/4"=1'-0"

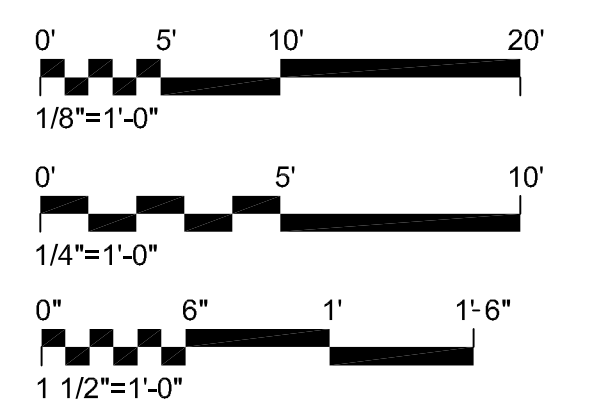
Residence

9031 Old Dominion Drive  
McLean, Virginia 22102

NOVITSKE ARCHITECTS

201 North Fairfax Street • Suite 33  
Alexandria VA 22314  
703 535 7899 • 703 535 8840 fax

graphic scales



project: 24712  
phase: Permit  
date: 8 November 2018  
revisions: 13 November 2018  
3 December 2018

Building Sections

**A7**