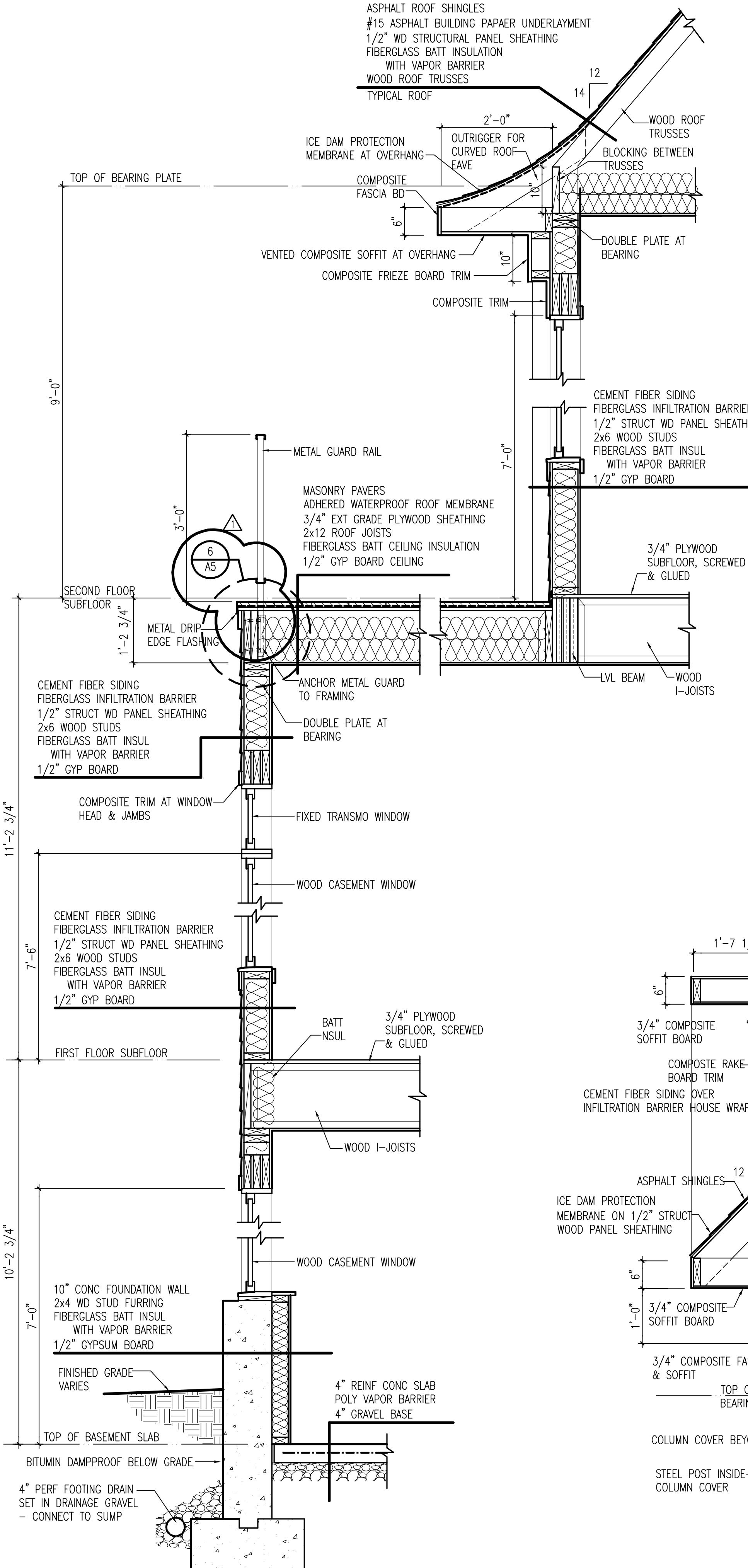
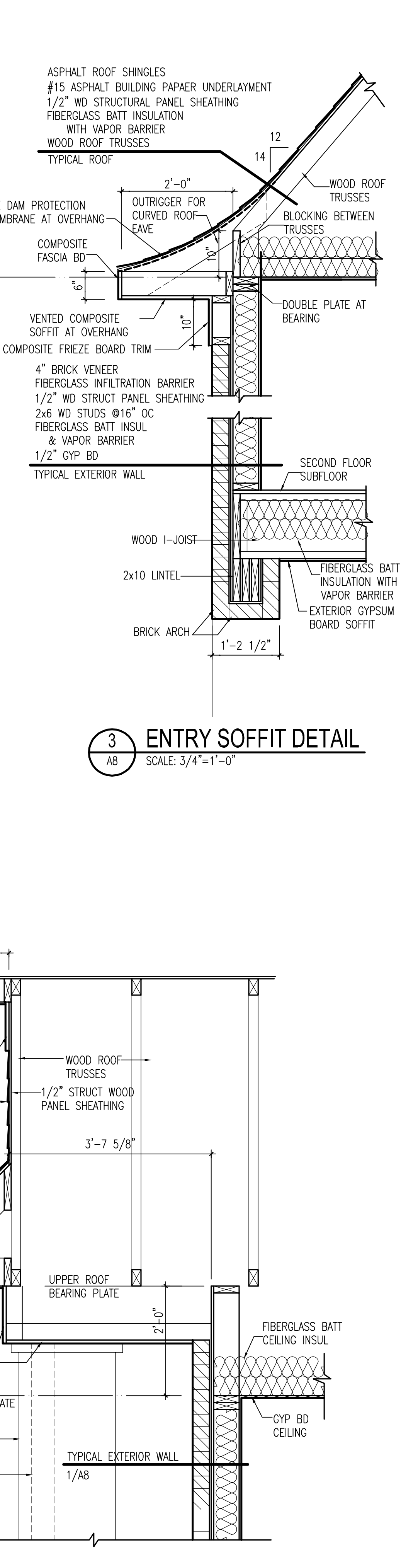


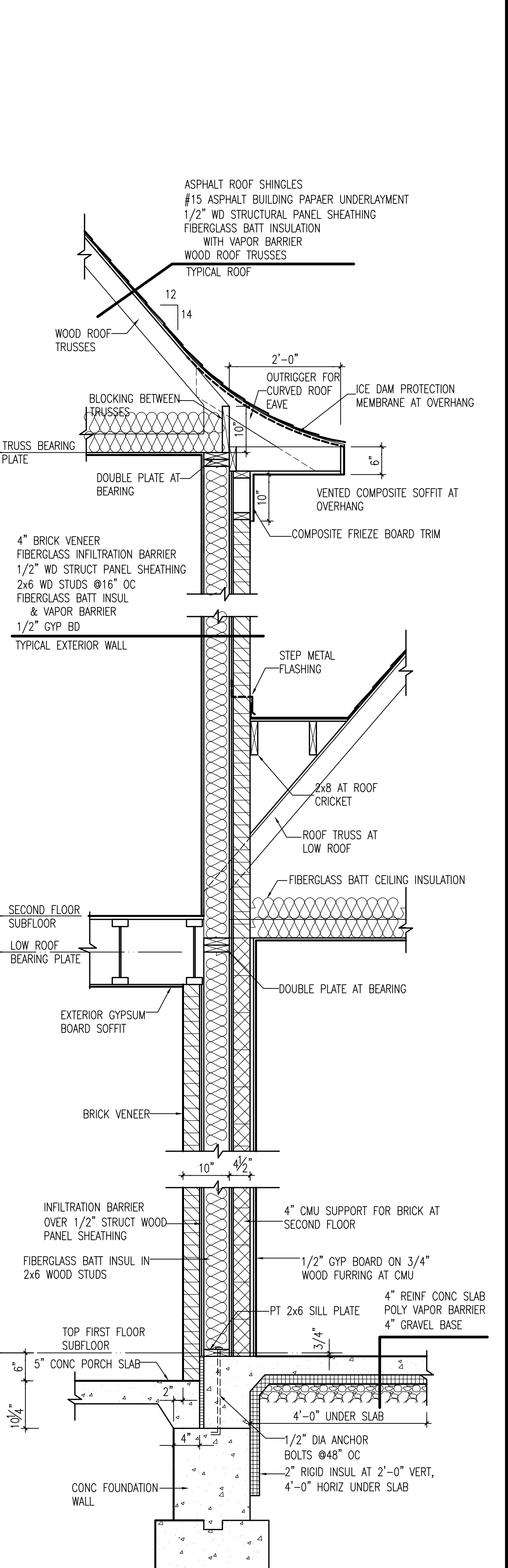
1 SECTION AT FRONT
A8 SCALE: 3/16"=1'-0"



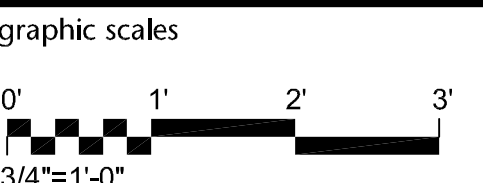
2 SECTION AT BAY
A8 SCALE: 3/16"=1'-0"



3 ENTRY SOFFIT DETAIL
A8 SCALE: 3/4"=1'-0"



5 SECTION AT ENTRY
A8 SCALE: 3/16"=1'-0"



project:	24712
phase:	Permit
date:	8 November 2018
revisions:	13 November 2018
	3 December 2018