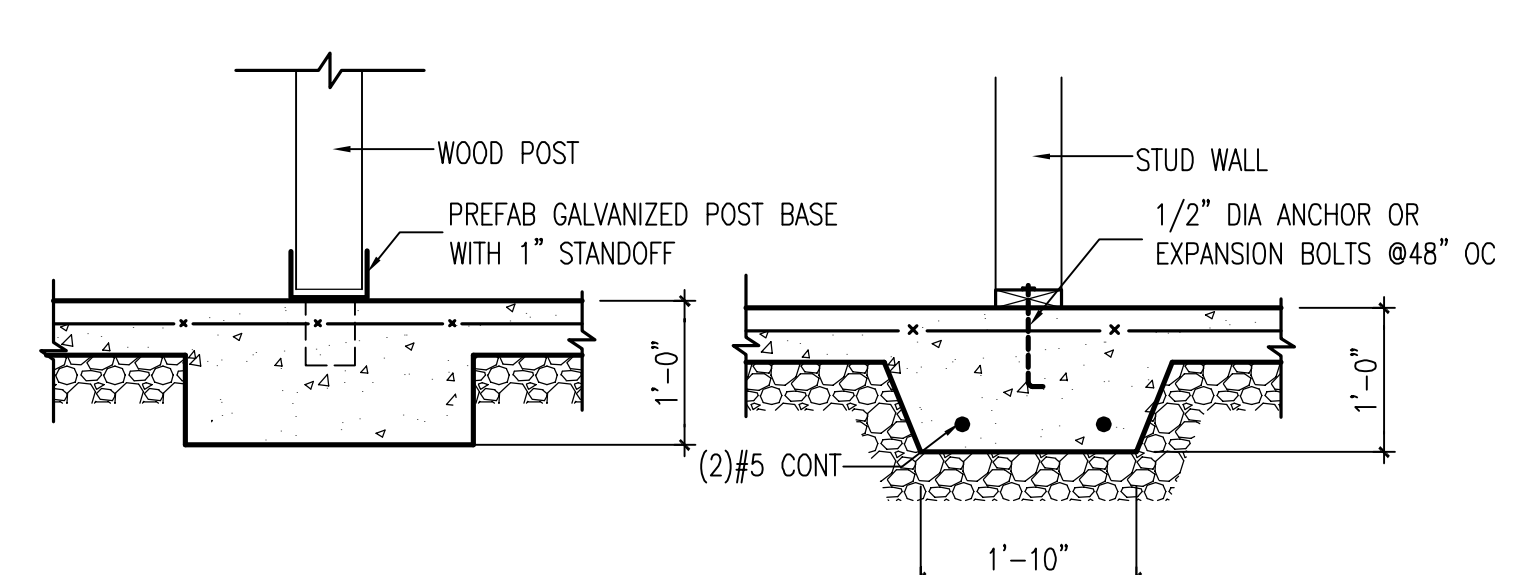
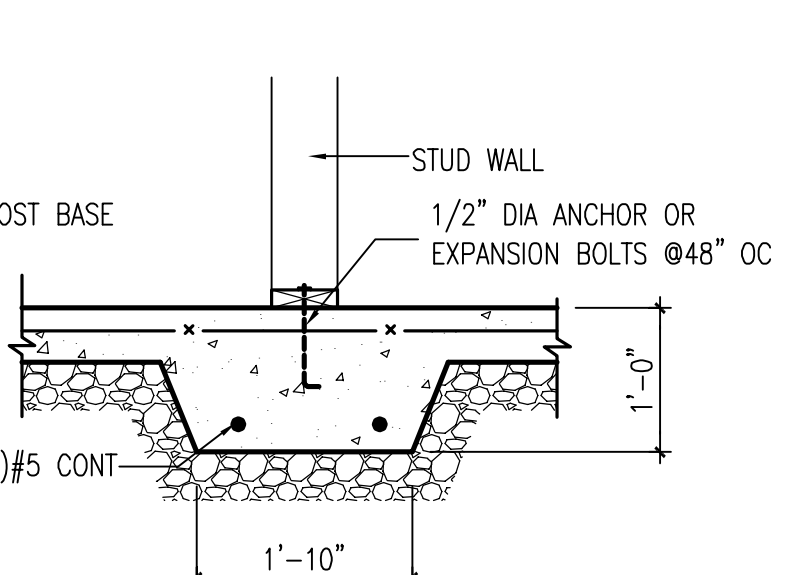


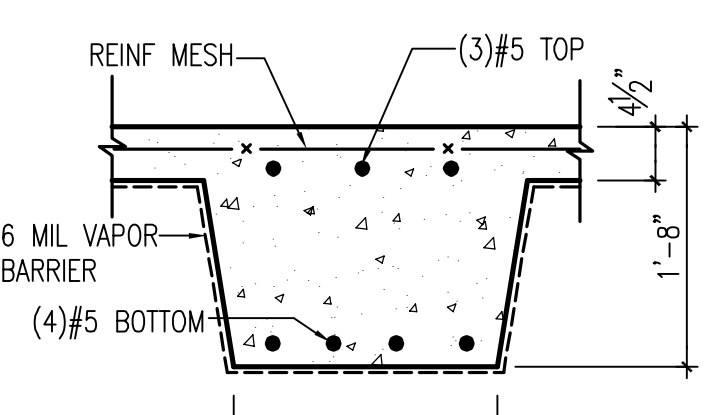
5 FOUNDATION PLAN
SCALE: 3/16"=1'-0"
plan NORTH



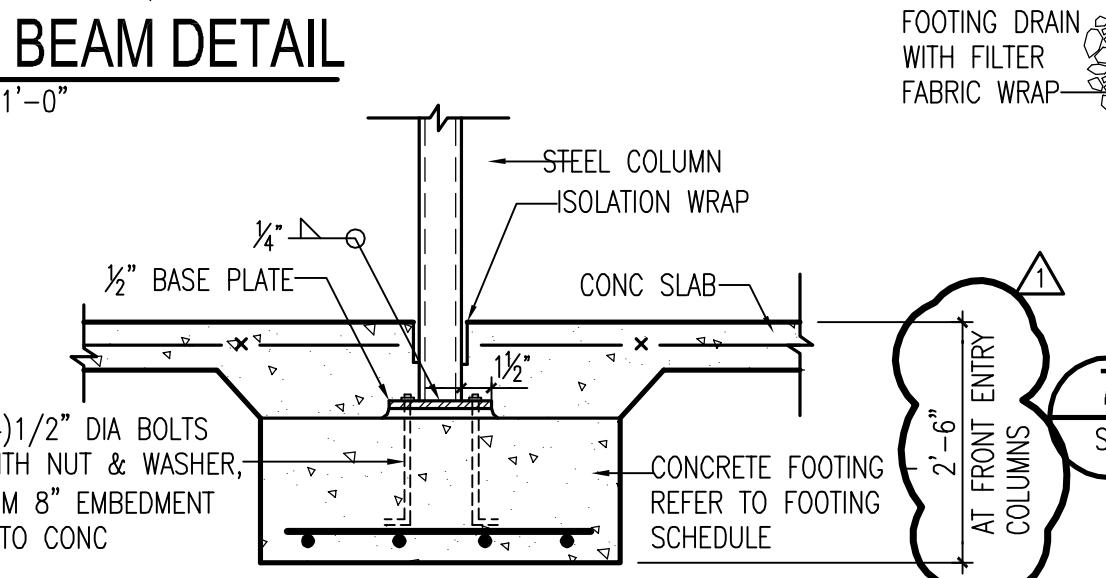
1 POST BASE DETAIL
SCALE: 3/4"=1'-0"



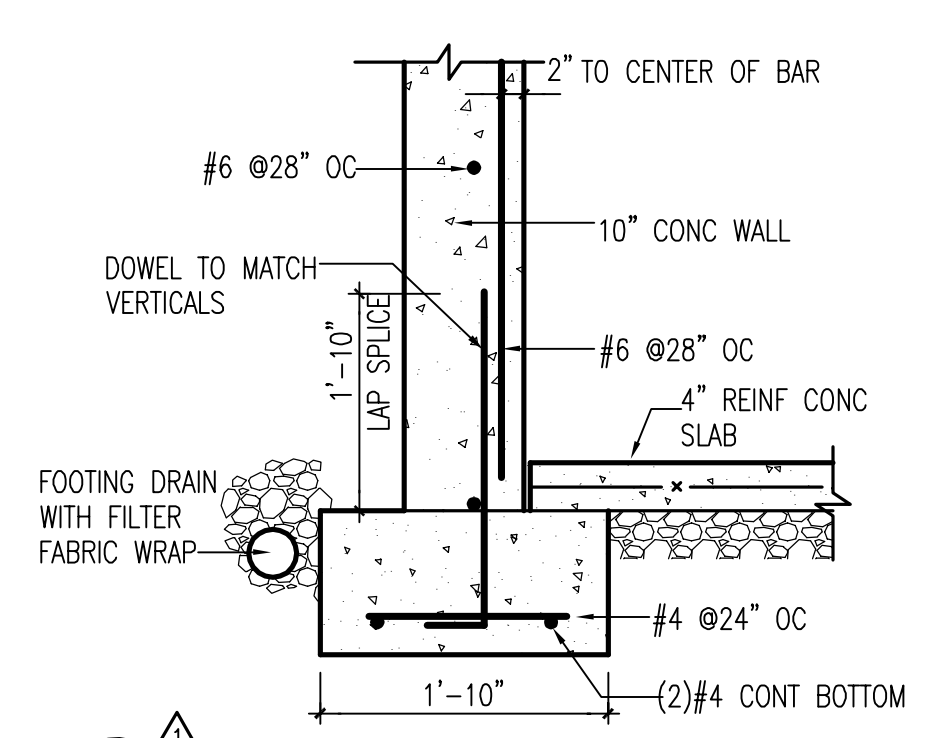
2 FOOTING DETAIL
SCALE: 3/4"=1'-0"



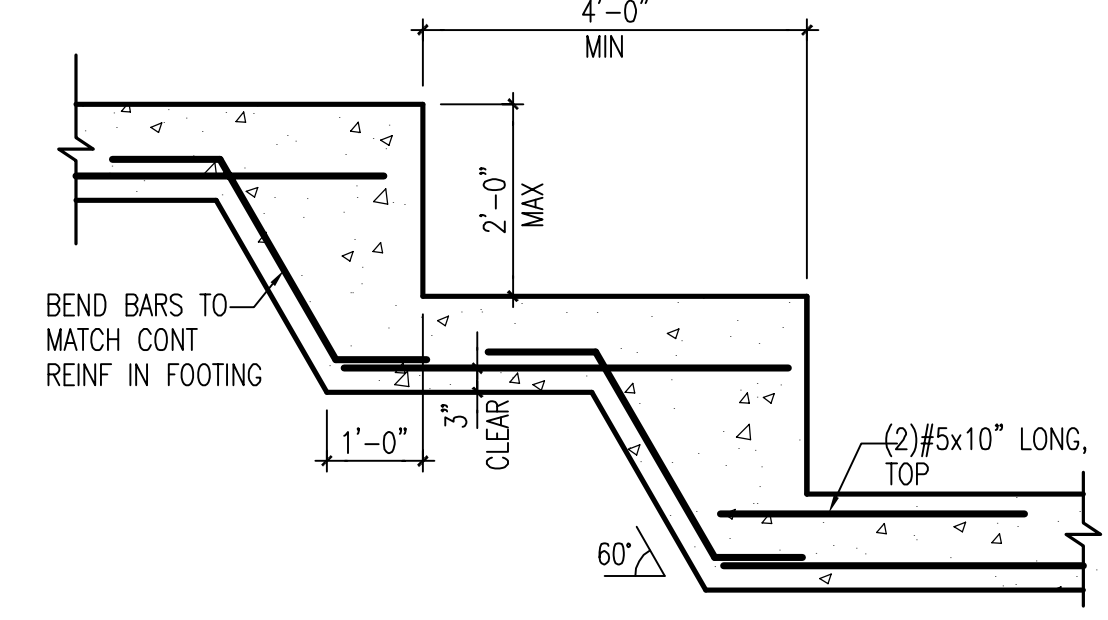
4 GRADE BEAM DETAIL
SCALE: 3/16"=1'-0"



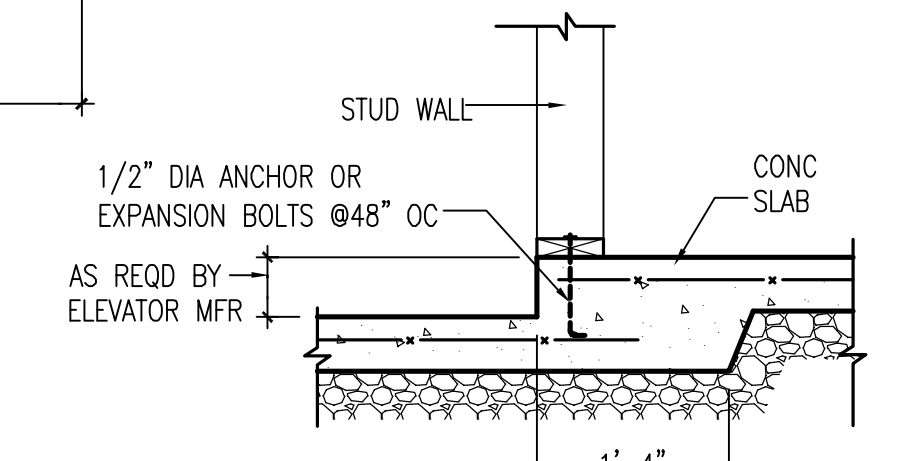
6 FOOTING DETAIL
SCALE: 3/4"=1'-0"



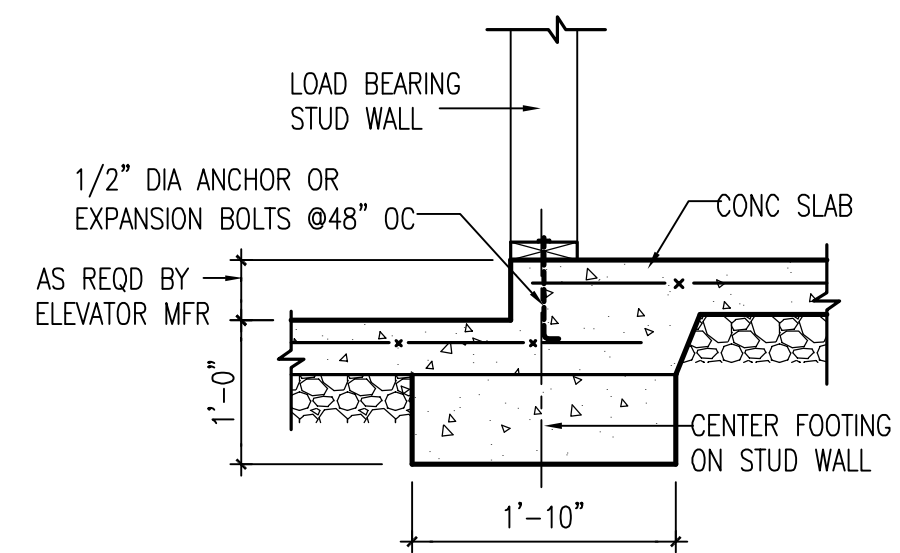
7 TYPICAL FOOTING
SCALE: 3/4"=1'-0"



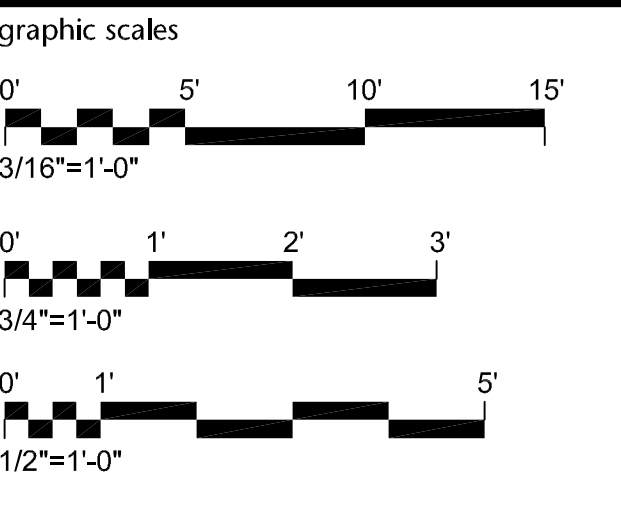
8 STEP FOOTING DETAIL
SCALE: 1/2"=1'-0"



9 ELEVATOR PIT DETAIL
SCALE: 3/4"=1'-0"



10 ELEVATOR PIT DETAIL
SCALE: 3/4"=1'-0"



project: 24712
 phase: Permit
 date: 8 November 2018
 revisions: 13 November 2018
 3 December 2018