

Residence

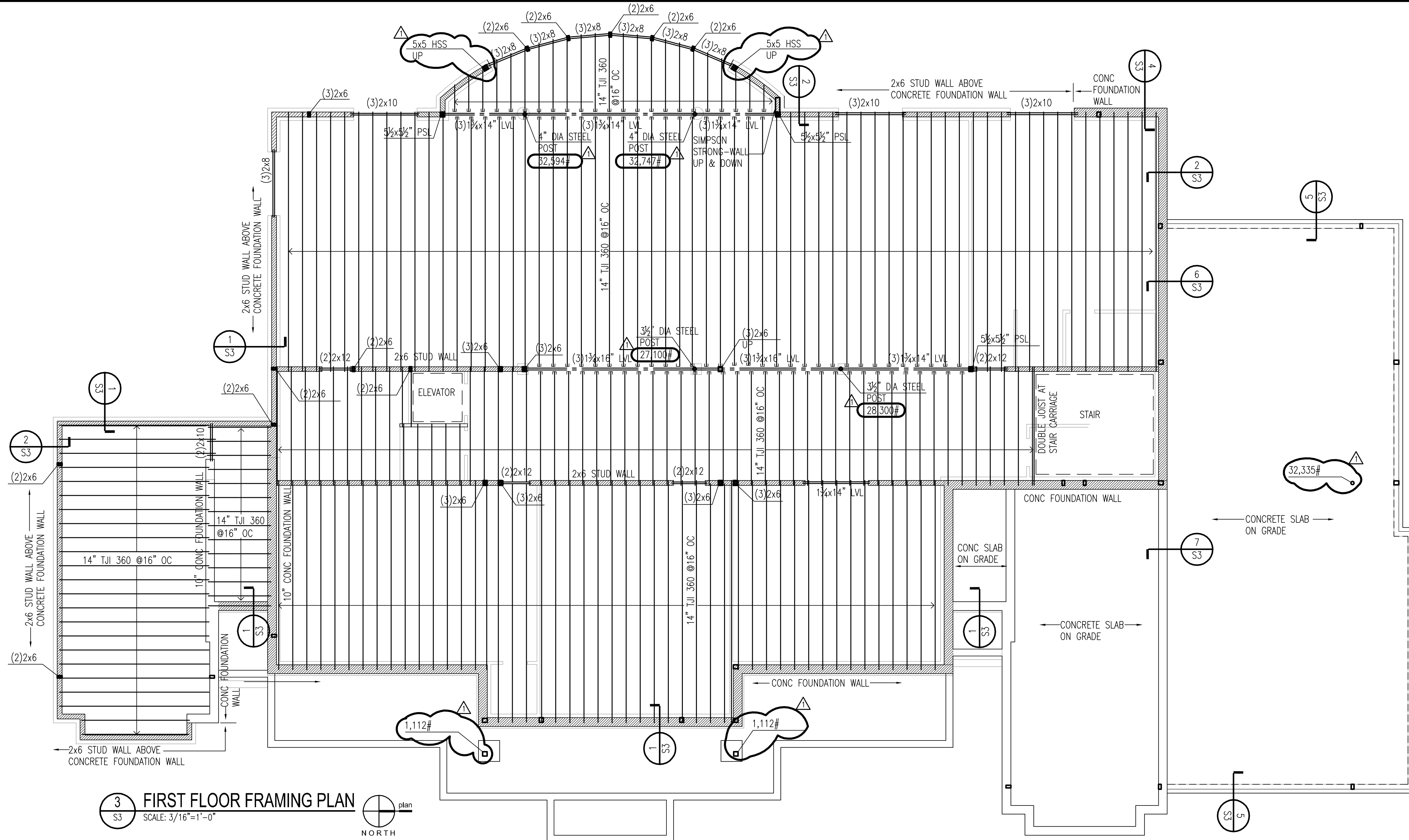
9031 Old Dominion Drive
McLean, Virginia 22102

NOVITSKE ARCHITECTS

201 North Fairfax Street • Suite 33
Alexandria VA 22314
703 535 7899 • 703 535 8840 fax

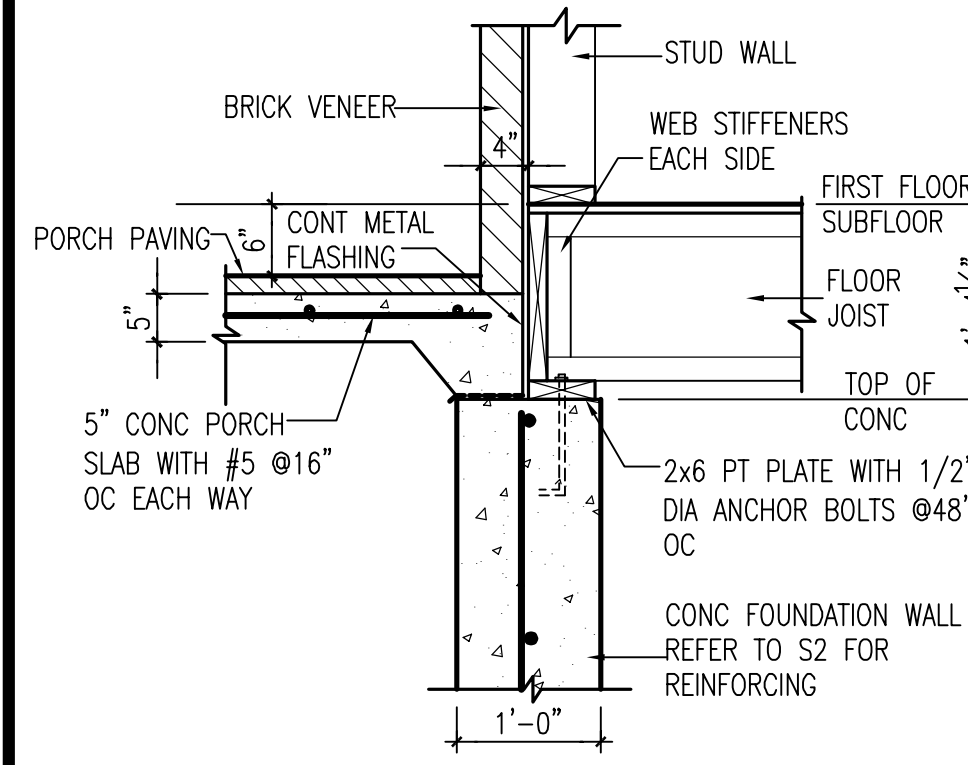
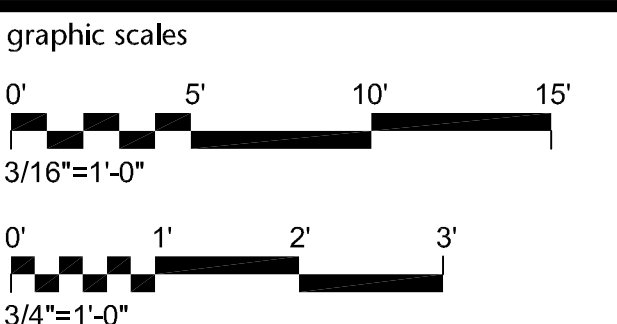
NADER ELHAJJ

3603 McLean Avenue
Fairfax VA 22030
703 615 2451 • 703 563 9424 fax

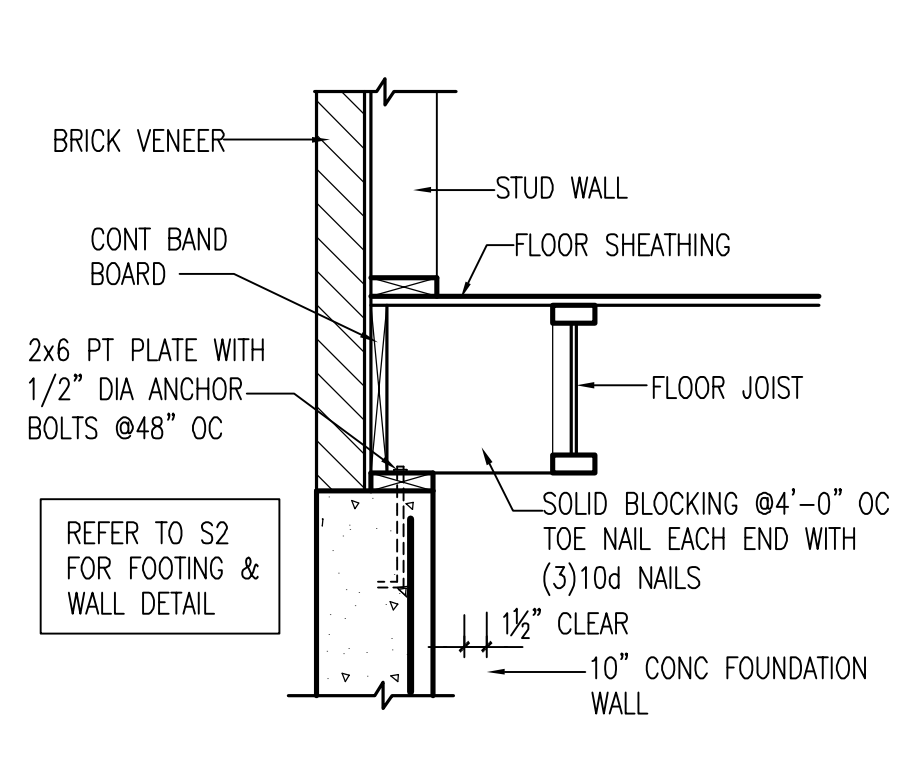


3 FIRST FLOOR FRAMING PLAN
SCALE: 3/16"=1'-0"
NORTH

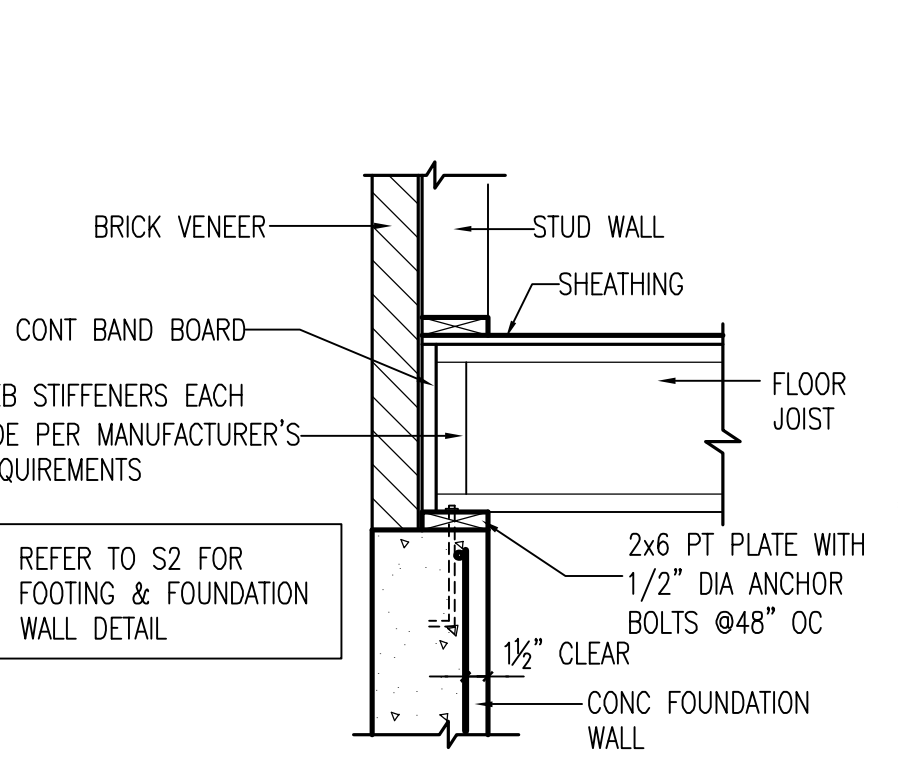
- Legend**
- JOIST FLUSH CONNECTION AT BEAM
 - COLUMN DOWN
 - COLUMN UP
 - ▨ LOAD BEARING STUD WALL



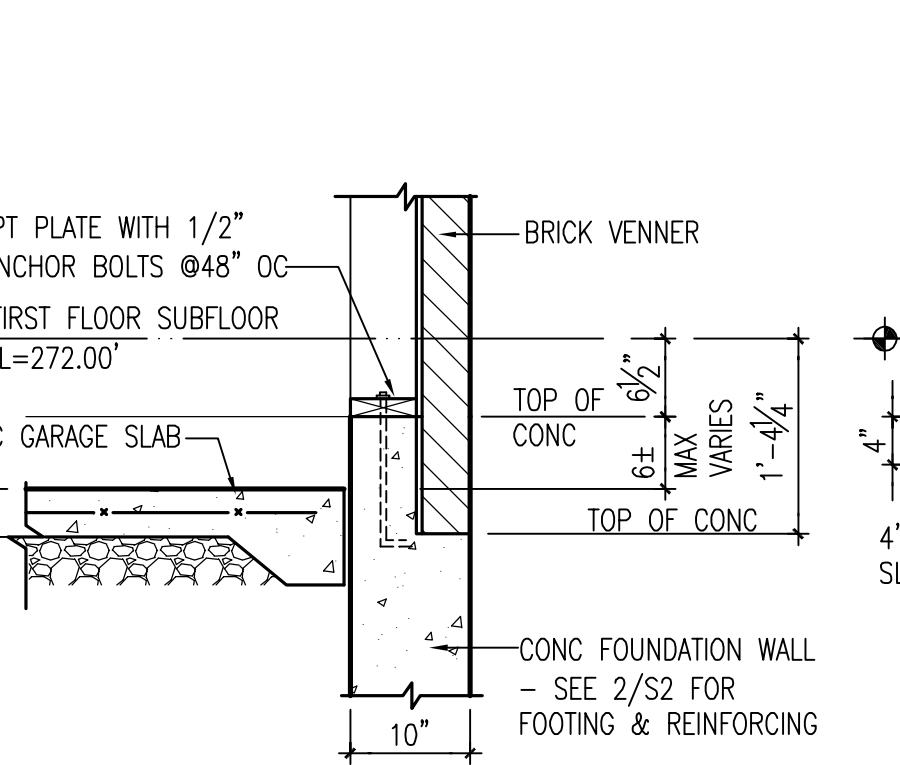
1 JOIST BEARING
SCALE: 3/4"=1'-0"



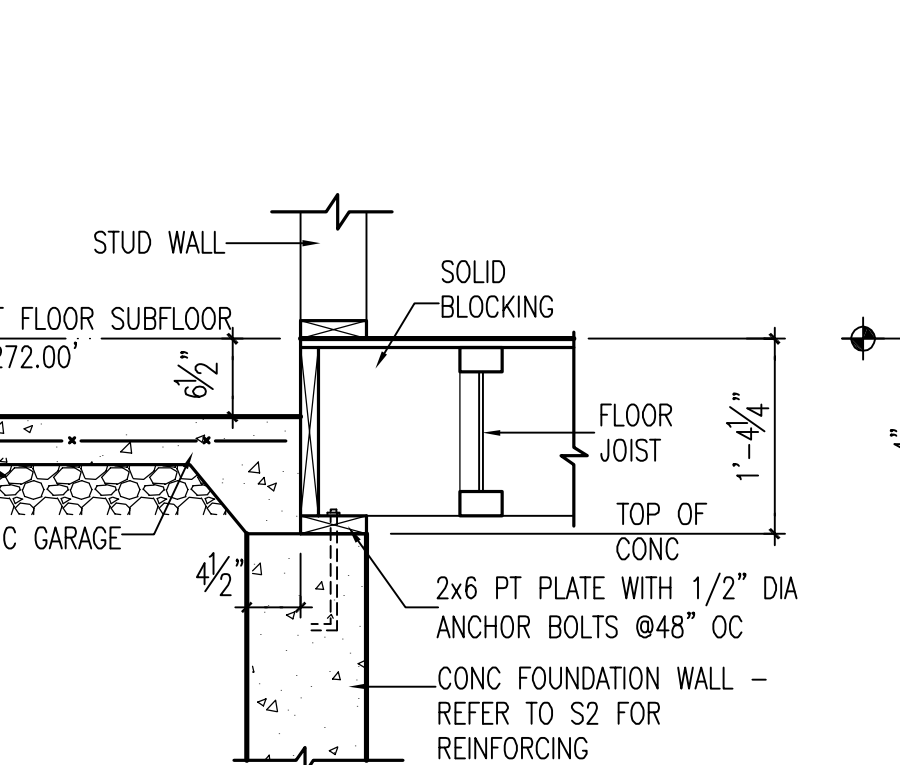
2 JOIST BEARING
SCALE: 3/4"=1'-0"



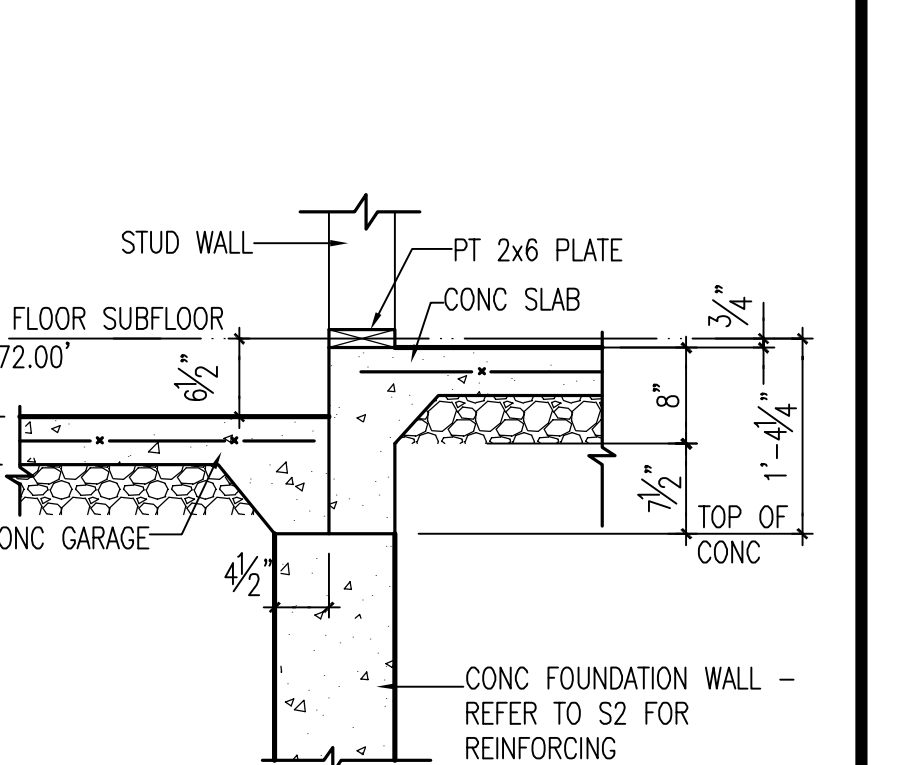
4 JOIST BEARING
SCALE: 3/14"=1'-0"



5 FLOOR FRAMING DETAIL
SCALE: 3/4"=1'-0"



6 GARAGE SLAB DETAIL
SCALE: 3/4"=1'-0"



7 GARAGE SLAB DETAIL
SCALE: 3/4"=1'-0"

project: 24712
phase: Permit
date: 8 November 2018
revisions: 13 November 2018
3 December 2018

First Floor Framing Plan
& Details