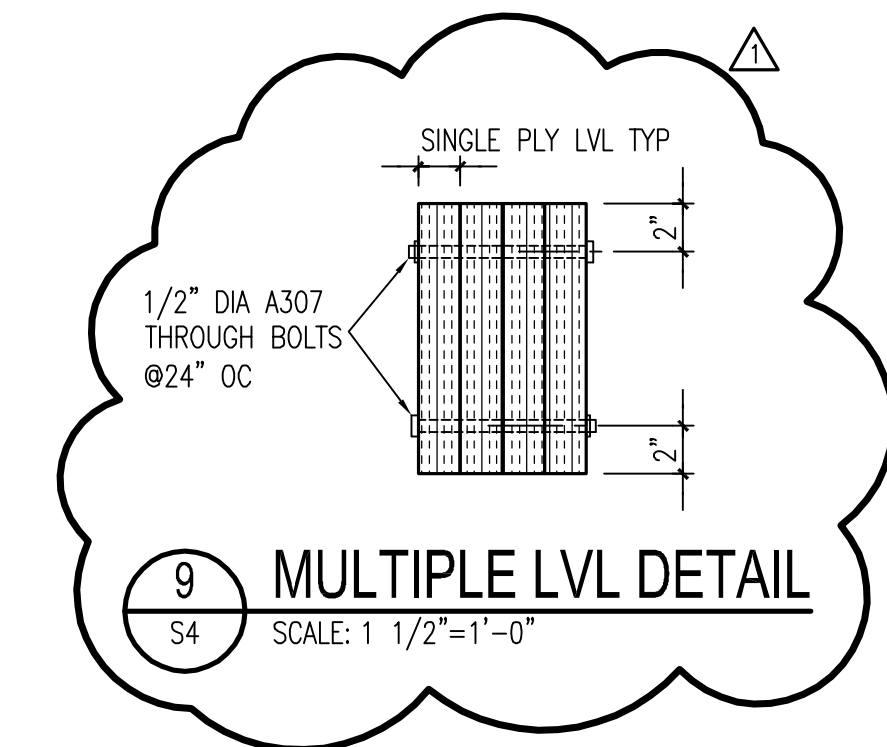
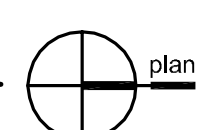
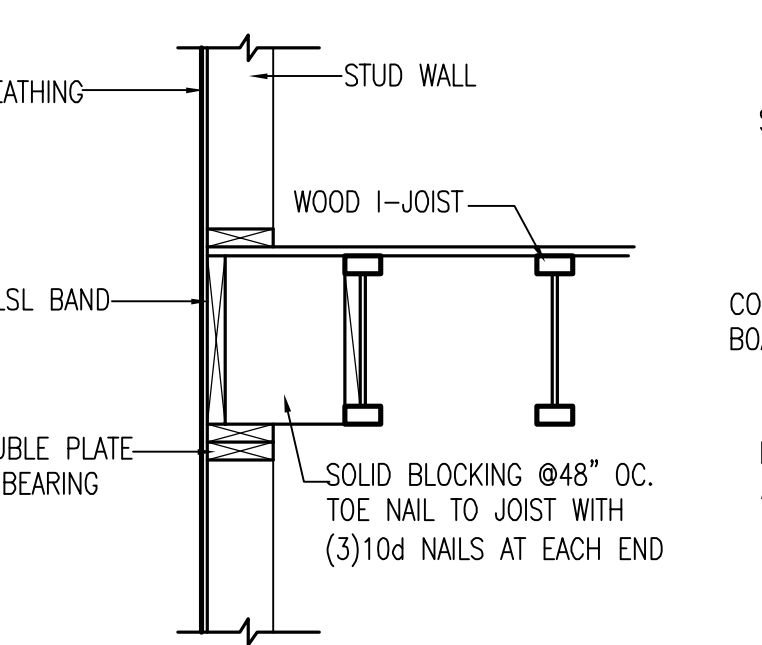
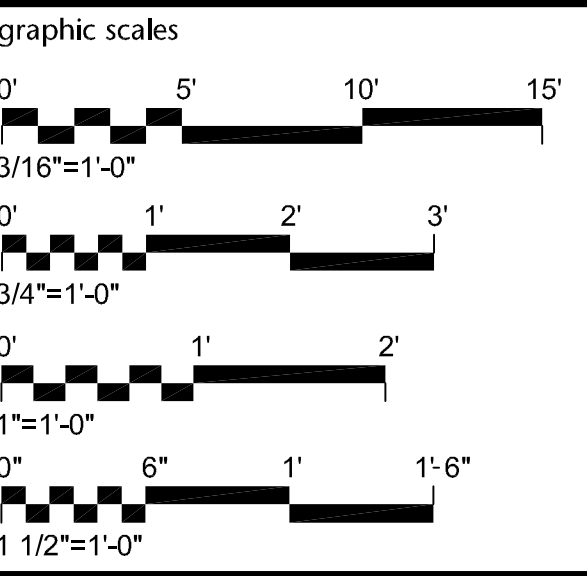


3 SECOND FLOOR FRAMING PLAN
SCALE: 3/16"=1'-0"

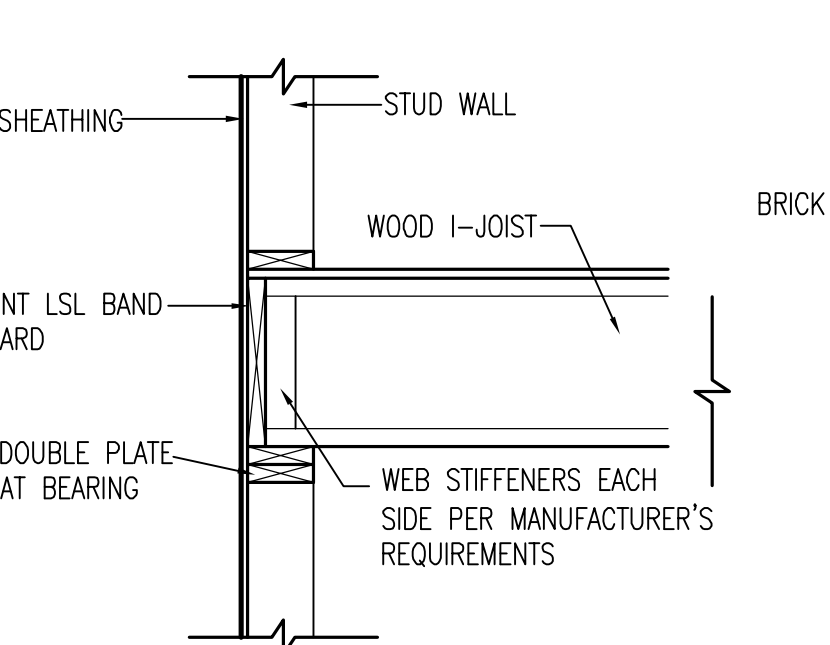


9 MULTIPLE LVL DETAIL
SCALE: 1 1/2"=1'-0"

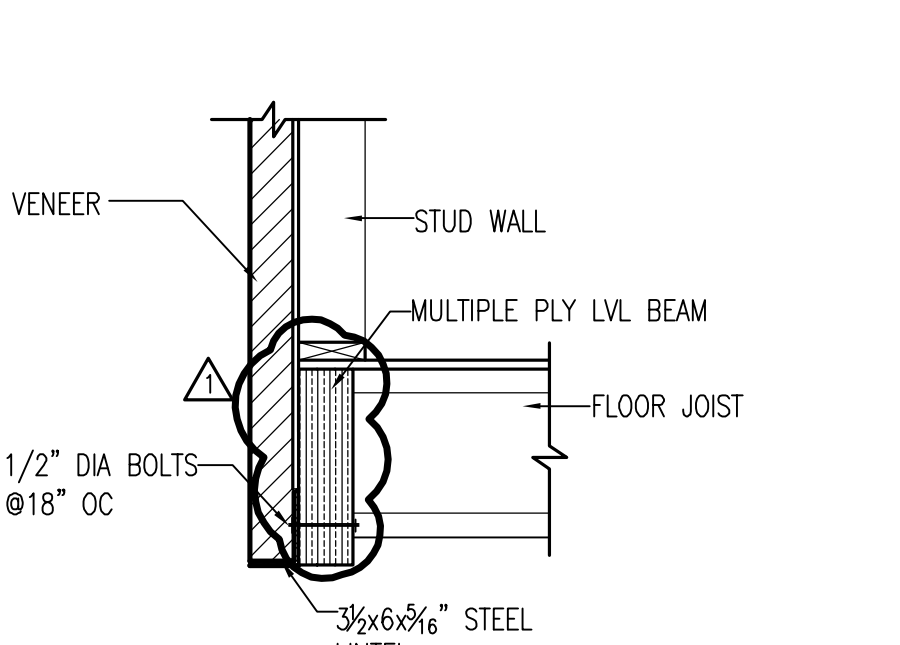
- Legend**
- JOIST FLUSH CONNECTION AT BEAM
 - COLUMN DOWN
 - COLUMN UP
 - ▨ LOAD BEARING STUD WALL



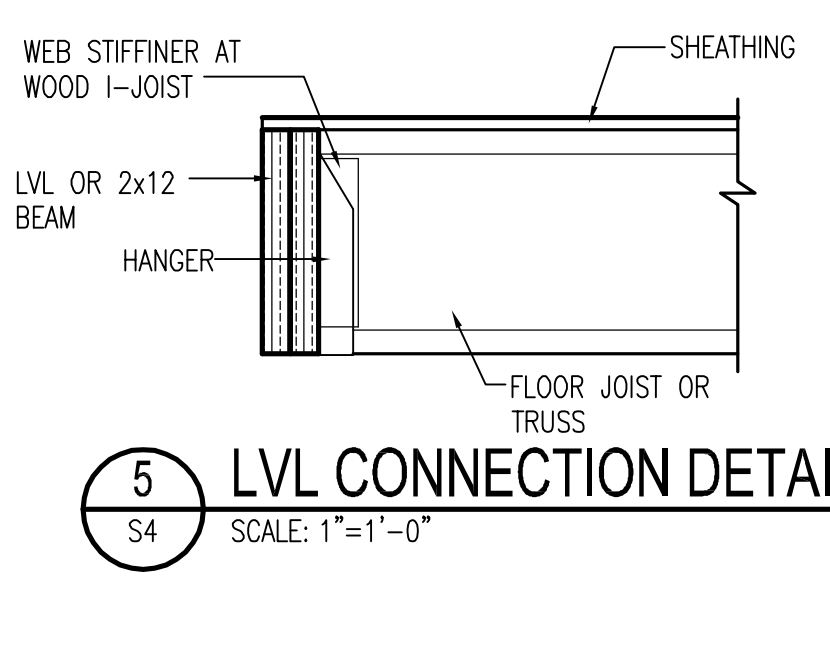
1 JOIST BEARING DETAIL
SCALE: 3/4"=1'-0"



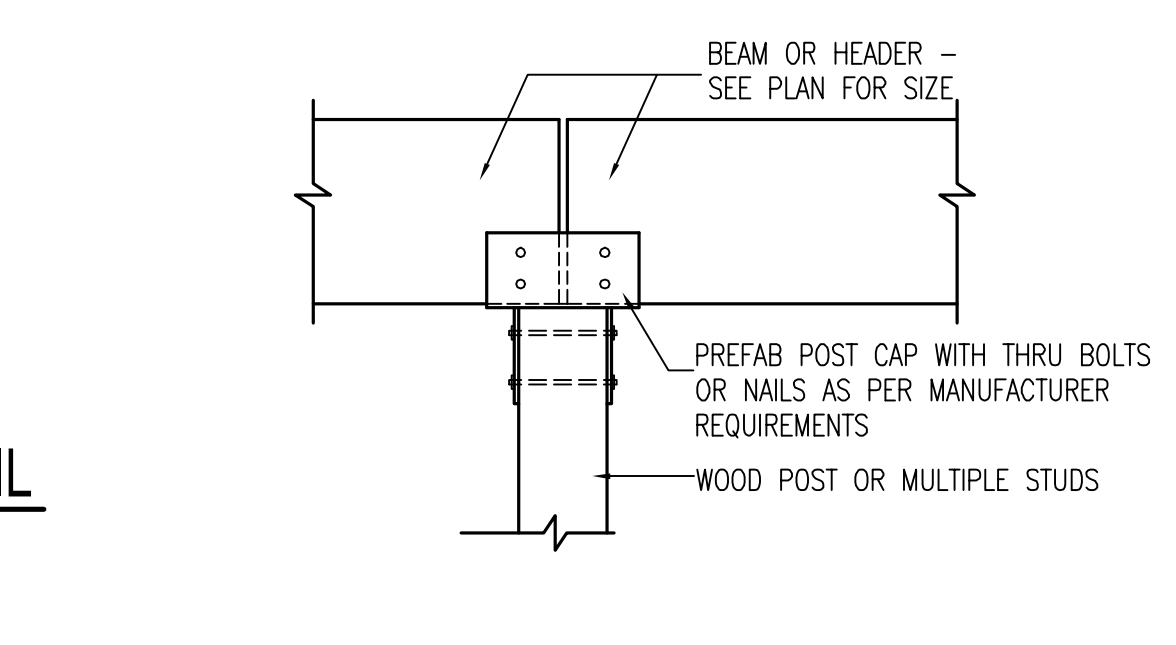
2 JOIST BEARING DETAIL
SCALE: 3/4"=1'-0"



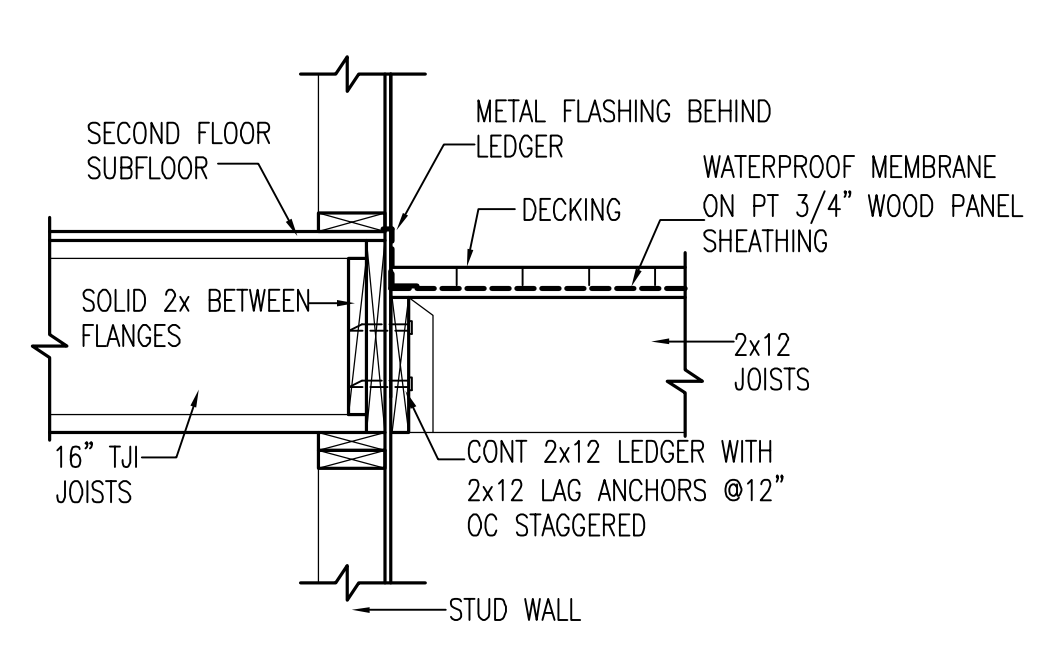
4 SUSPENDED BRICK DETAIL
SCALE: 3/4"=1'-0"



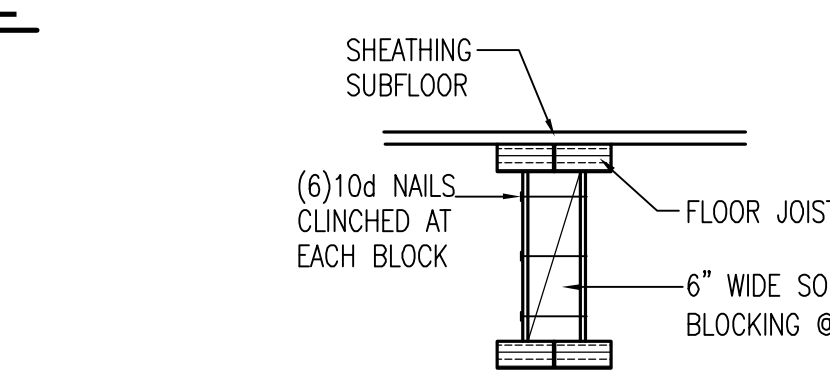
5 LVL CONNECTION DETAIL
SCALE: 1"=1'-0"



7 TYP BEAM BEARING DETAIL
SCALE: 1"=1'-0"



8 BALCONY BEARING DETAIL
SCALE: 3/4"=1'-0"



6 DOUBLE JOIST DETAIL
SCALE: 1"=1'-0"

project: 24712
phase: Permit
date: 8 November 2018
revisions: 13 November 2018
3 December 2018