

Residence

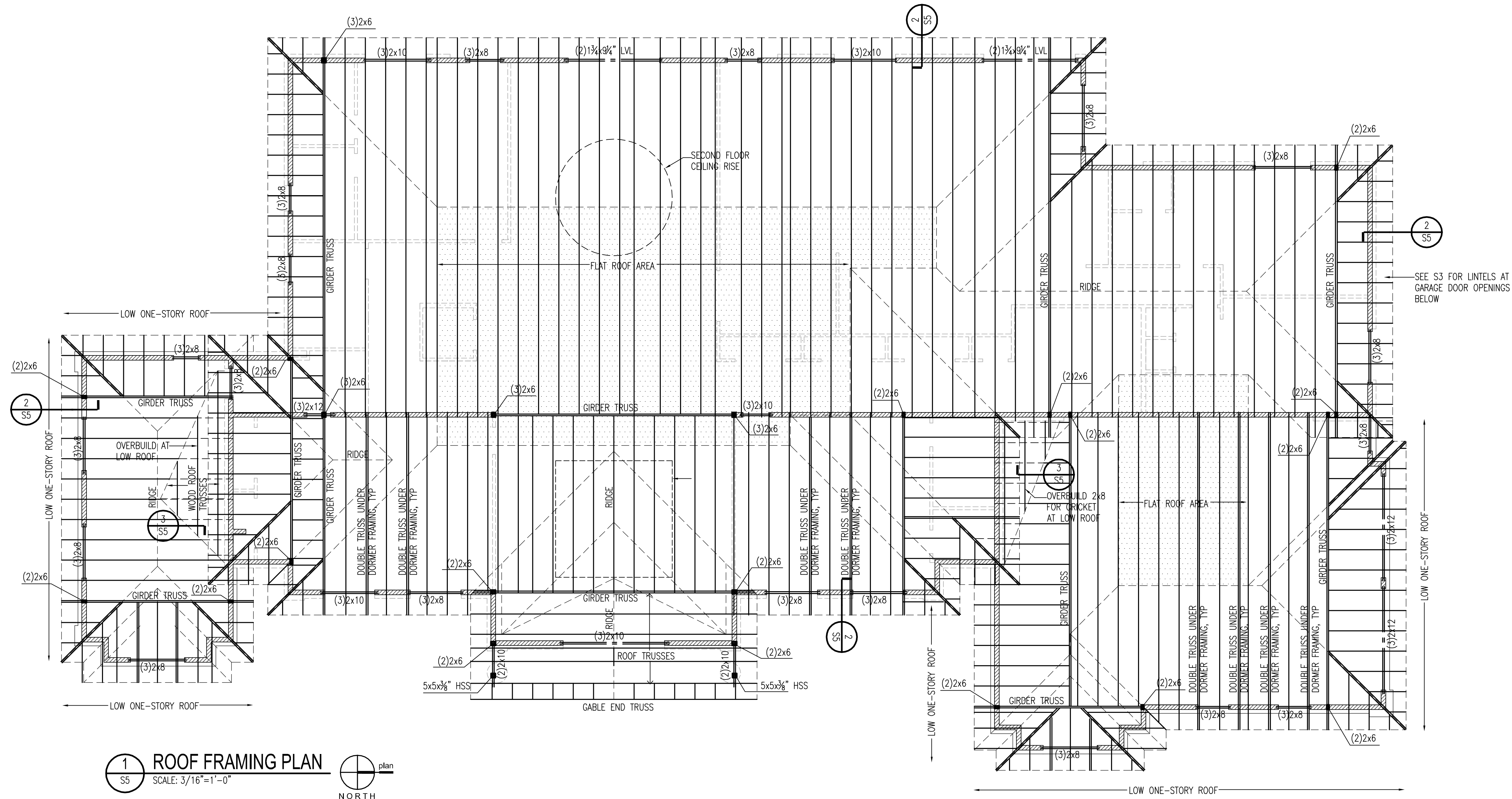
931 Old Dominion Drive
McLean, Virginia 22102

NOVITSKE ARCHITECTS

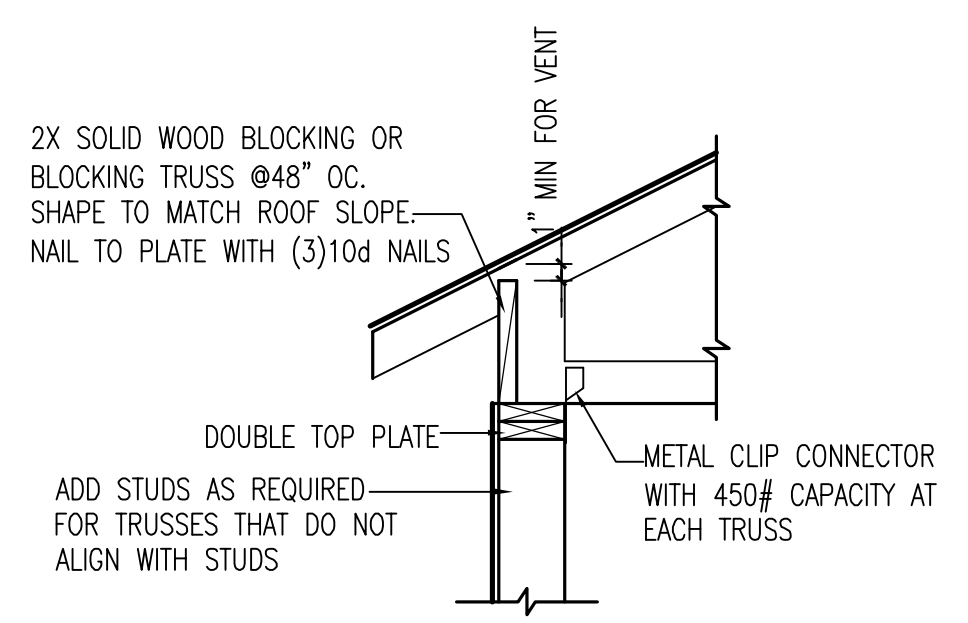
201 North Fairfax Street • Suite 33
Alexandria VA 22314
703 535 7899 • 703 535 8840 fax

NADER ELHAJJ

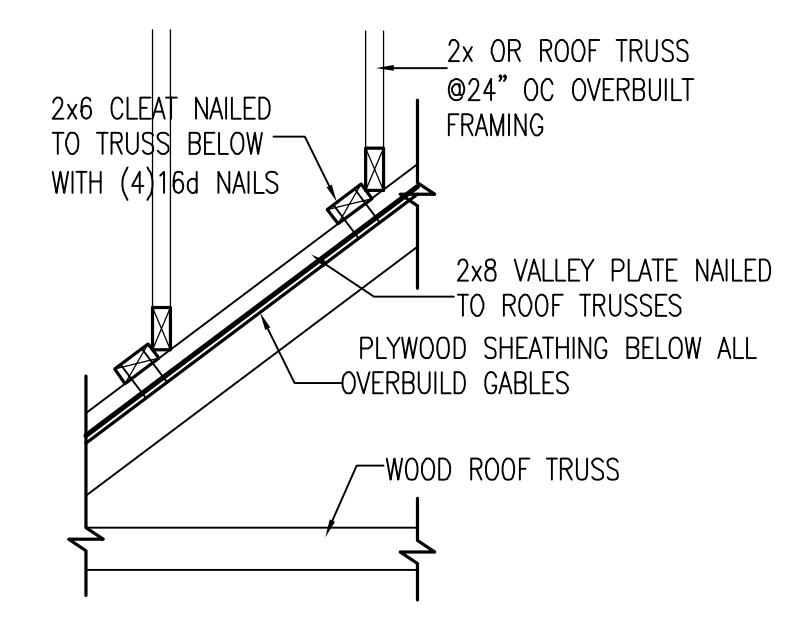
3603 McLean Avenue
Fairfax VA 22030
703 615 2451 • 703 563 9424 fax



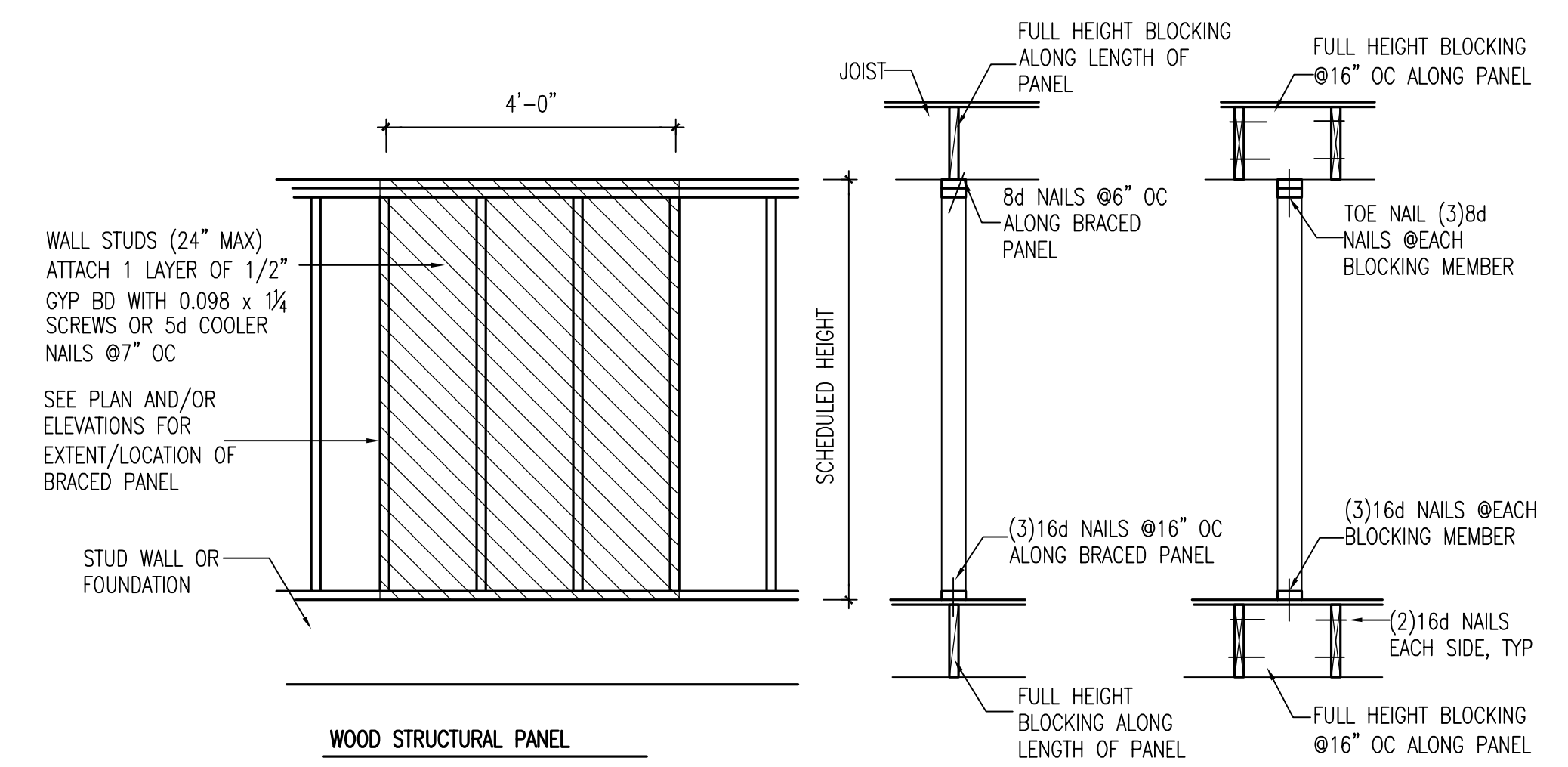
1 ROOF FRAMING PLAN
SCALE: 3/16"=1'-0"
plan NORTH



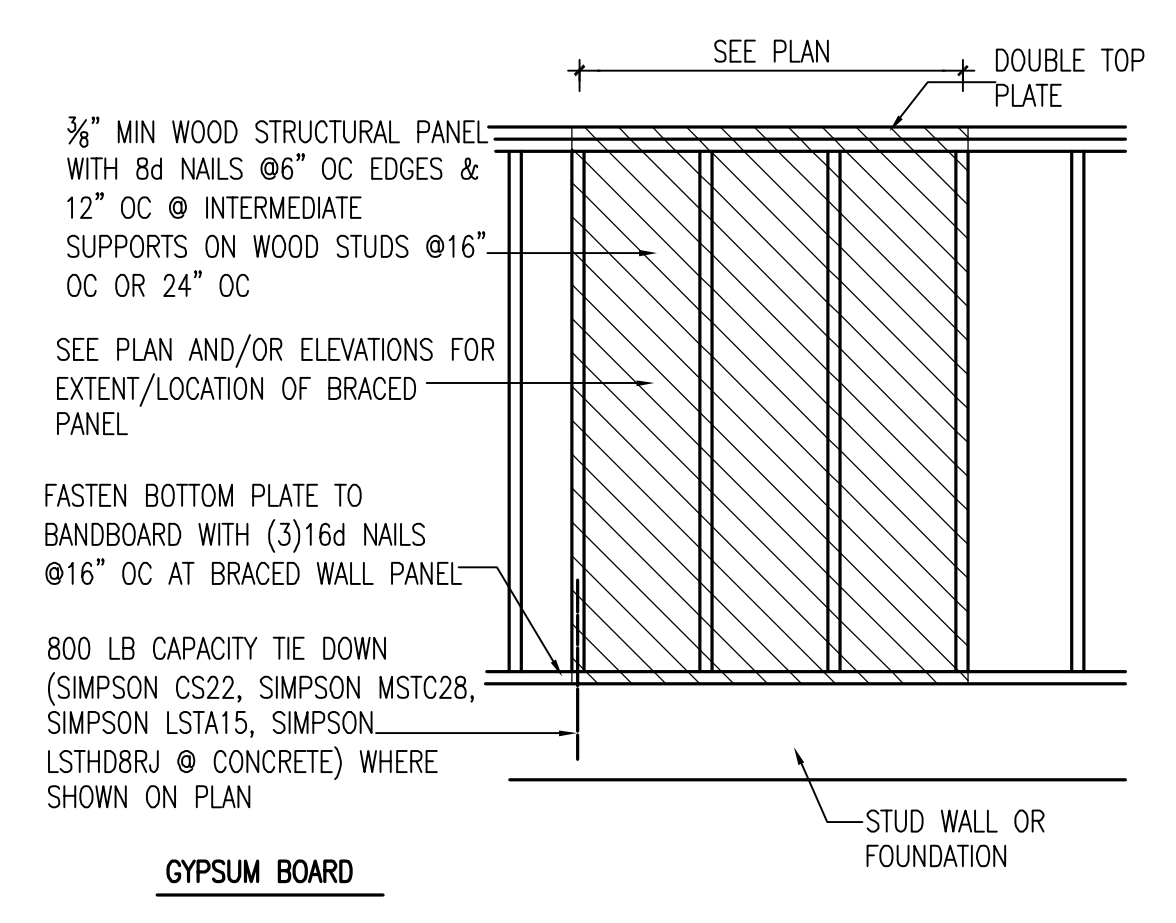
2 TRUSS BEARING PLATE
SCALE: 3/4"=1'-0"



3 OVERBUILD DETAIL
SCALE: 3/4"=1'-0"

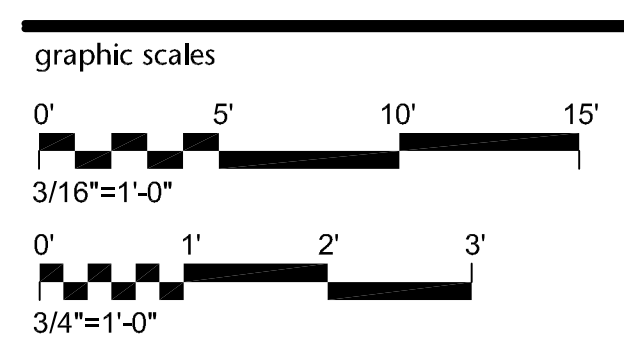


4 BRACING METHOD WSP
SCALE: NONE



5 BRACING METHOD GB
SCALE: NONE

- Legend
- JOIST FLUSH CONNECTION AT BEAM
 - COLUMN DOWN
 - COLUMN UP
 - ▨ LOAD BEARING STUD WALL



project:	24712
phase:	Permit
date:	8 November 2018
revisions:	

Roof Framing Plan & Details