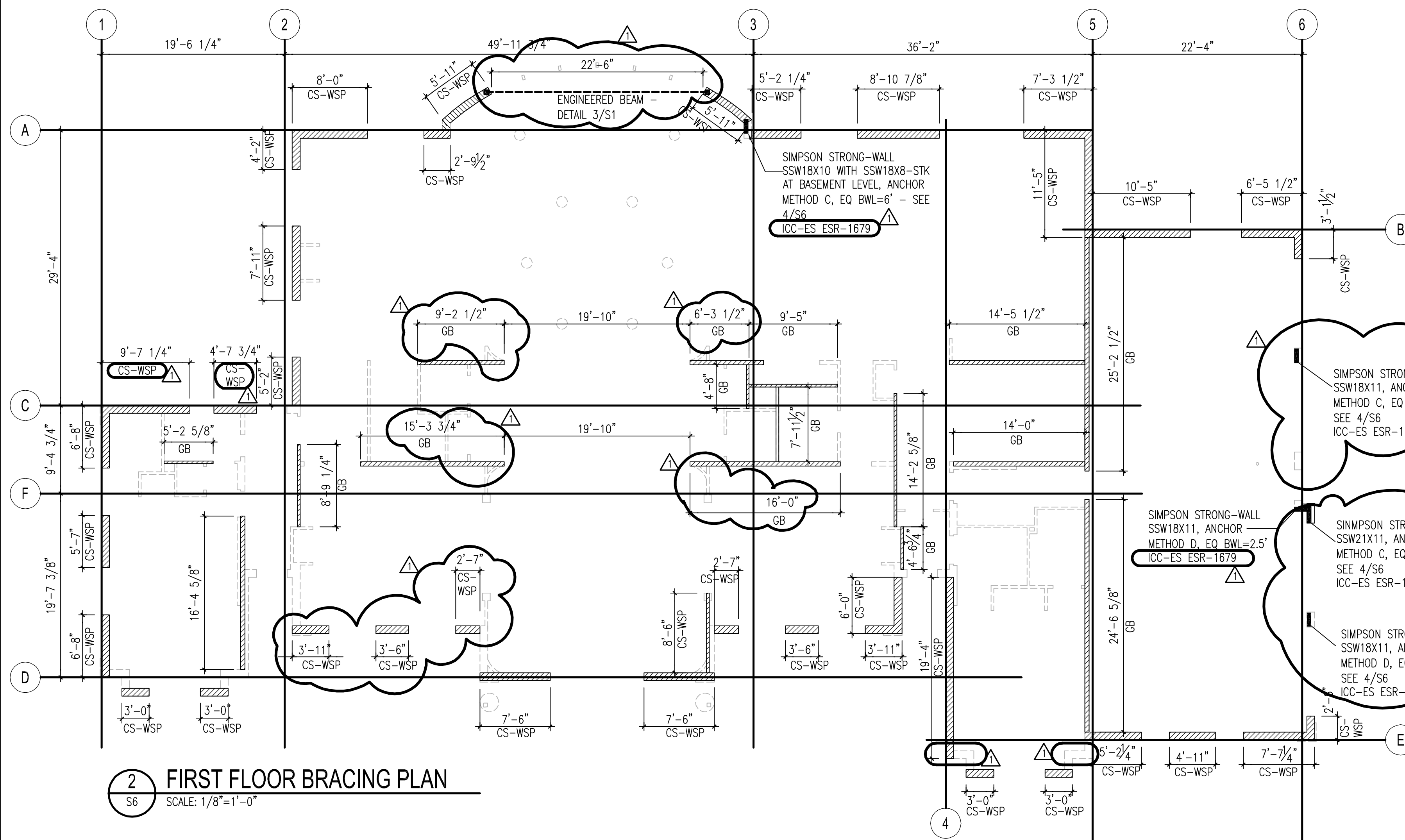


1 SECOND FLOOR BRACING PLAN
S6 SCALE: 1/8"=1'-0"



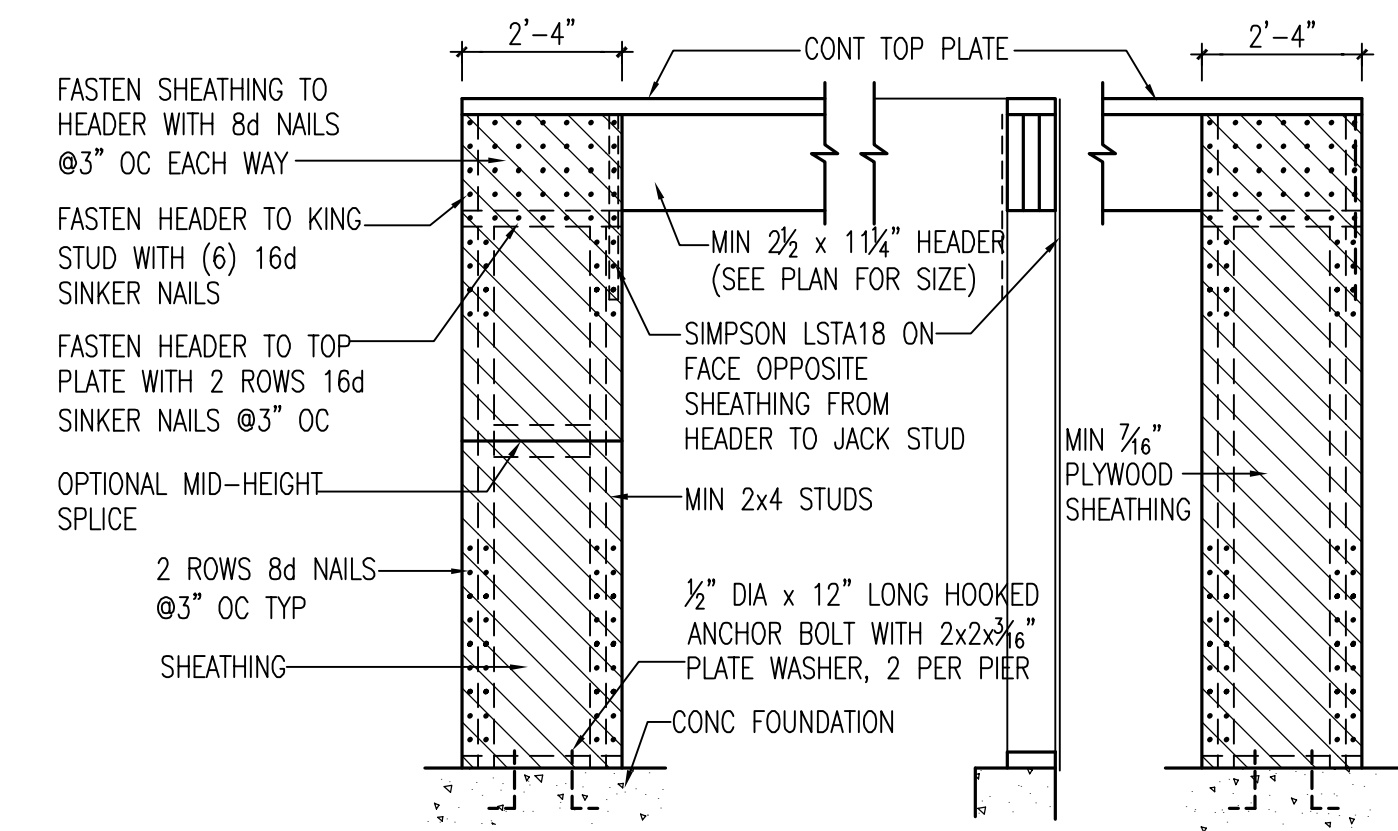
2 FIRST FLOOR BRACING PLAN
S6 SCALE: 1/8"=1'-0"

WIND BRACING CALCULATIONS

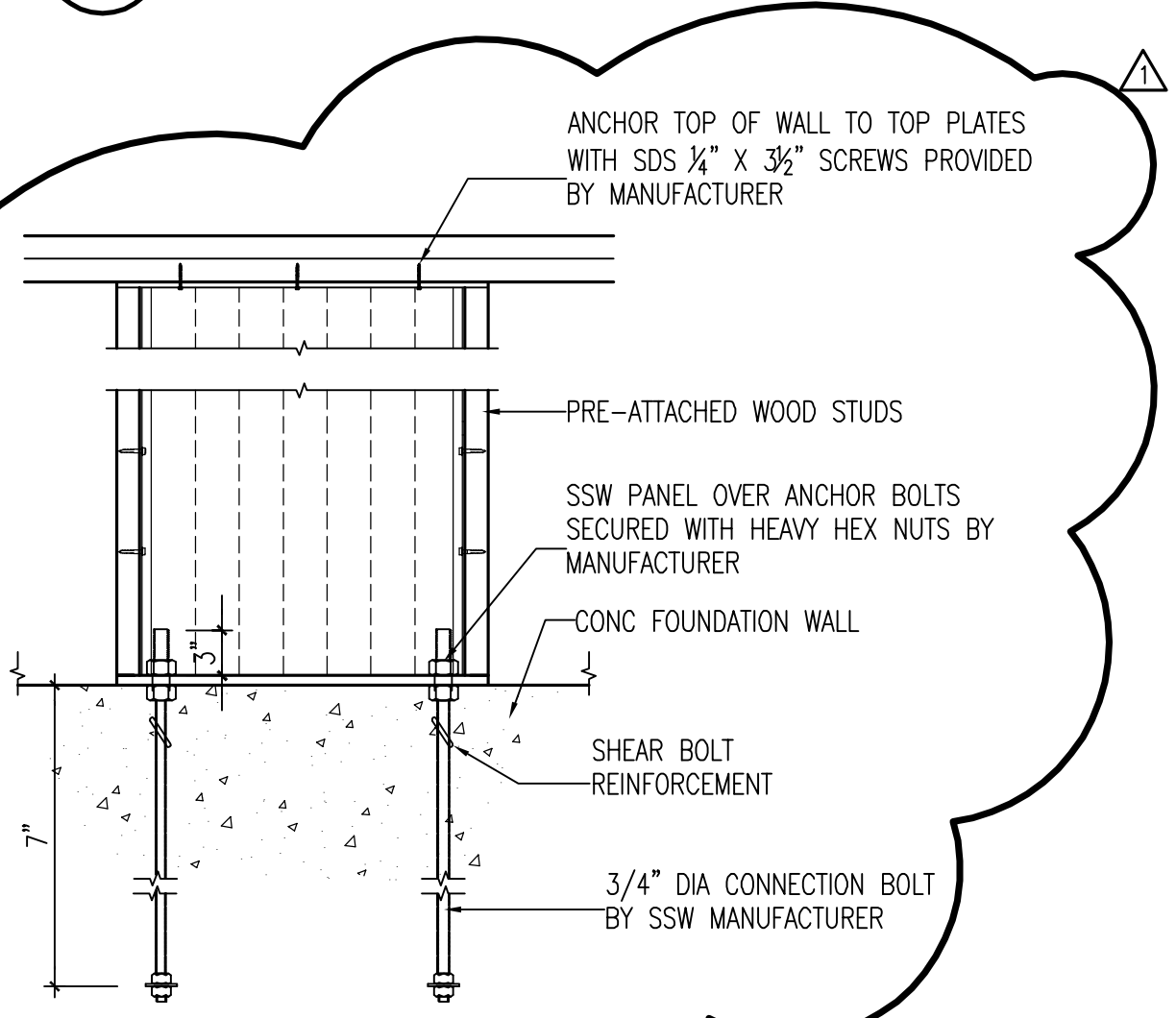
BWL NO.	LOCATION	BRACING TYPE	SPACING BET. BWLS	MIN. REQD BRACING	ADJ FACTORS			ADJ BRACED LENGTH	AVAILABLE BRACED LENGTH	COMMENT	
					WALL HT.	WALL	ROOF				
1	SECOND FLOOR	CS-WSP	24.9'	4.23'	9'	0.95	1.48	1.6	9.52'	40.4'	OK
2	SECOND FLOOR	GB	24.9'	8.22'	9'	0.95	1.48	1.6	18.49'	36.2'	OK
3	SECOND FLOOR	GB	42.25'	13.17'	9'	0.95	1.48	1.6	29.63'	43.0'	OK
4	SECOND FLOOR	GB	42.25'	13.17'	9'	0.95	1.48	1.6	20.75'	22.75'	4" FASTENER SPACING
5	SECOND FLOOR	CS-WSP	22.5'	3.87'	9'	0.95	1.48	1.6	8.71'	20.5'	OK
A	SECOND FLOOR	CS-WSP	36.3'	5.53'	9'	0.95	1.48	1.45	11.27'	33.8'	OK
B	SECOND FLOOR	GB	36.3'	11.09'	9'	0.95	1.48	1.45	22.61'	82.9'	OK
C	SECOND FLOOR	CS-WSP	20.5'	3.67'	9'	0.95	1.48	1.45	7.28'	36.0'	OK
D	SECOND FLOOR	CS-WSP	25.5'	4.32'	9'	0.95	1.48	1.45	8.81'	17.25'	OK
1	FIRST FLOOR	CS-WSP	19.5'	6.35'	10'	1	1.24	1.6	12.60'	19.0'	OK
2	FIRST FLOOR	GB	34.75'	21.11'	10'	1	1.24	1.6	41.88'	42.33'	OK
3	FIRST FLOOR	CS-WSP	43.2'	12.8'	10'	1	1.24	1.6	25.40'	27.2'	OK
4	FIRST FLOOR	GB	20.7'	13.38'	10'	1	1.24	1.6	26.55'	38.1'	OK
5	FIRST FLOOR	GB	36.3'	21.96'	10'	1	1.24	1.6	43.57'	61.2'	OK
6	FIRST FLOOR	CS-WSP	22.33'	7.08'	10'	1	1.24	1.6	14.05'	15.5'	OK
A	FIRST FLOOR	CS-WSP	29.25'	8.81'	10'	1	1.24	1.6	17.48'	32.1'	OK
B	FIRST FLOOR	CS-WSP	28.1'	8.52'	10'	1	1.24	1.6	16.90'	17.0'	OK
C	FIRST FLOOR	GB	29.25'	18.09'	10'	1	1.24	1.6	35.89'	51.45'	OK
D	FIRST FLOOR	CS-WSP	19.75'	6.42'	10'	1	1.24	1.6	12.74'	31.0'	OK
E	FIRST FLOOR	CS-WSP	26.5'	8.12'	10'	1	1.24	1.6	16.11'	23.75'	OK
F	FIRST FLOOR	GB	19.75'	12.85'	10'	1	1.24	1.6	25.49'	52.25'	OK

BRACING NOTES

1. WIND BRACING METHOD PER 2012 IRD SECTION R602.10.
2. BRACING METHOD: CLASSICAL METHOD WITH SC-WSP (2/4" OSB) UNO.
3. A BRACED WALL PANEL SHALL BEGIN WITHIN 12 FEET FROM EACH END OF A BRACED WALL LINE.
4. MAXIMUM BRACED WALL LINE OFFSET UP TO 4 FEET.
5. THE DISTANCE BETWEEN BRACED WALL PANELS ALONG A BRACED WALL LINE SHALL BE NO GREATER THAN 20 FEET.
6. EACH END OF A BRACED WALL LINE WITH CONTINUOUS SHEATHING MUST HAVE A 24-INCH PANEL ON BOTH SIDES OF A CORNER OR 800 POUND HOLD-DOWN DEVICE.



3 BRACING METHOD PF
S6 SCALE: NONE



4 SSW ANCHOR
S6 SCALE: 1"=1'-0"

Residence

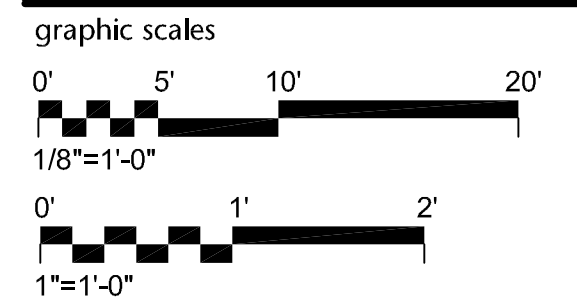
9031 Old Dominion Drive
McLean, Virginia 22102

NOVITSKE ARCHITECTS

201 North Fairfax Street • Suite 33
Alexandria VA 22314
703 535 7899 • 703 535 8840 fax

NADER ELHAJJ

3603 McLean Avenue
Fairfax VA 22030
703 615 2451 • 703 563 9424 fax



project: 24712
phase: Permit
date: 8 November 2018
revisions: 13 November 2018
3 December 2018

Bracing Plan & Details