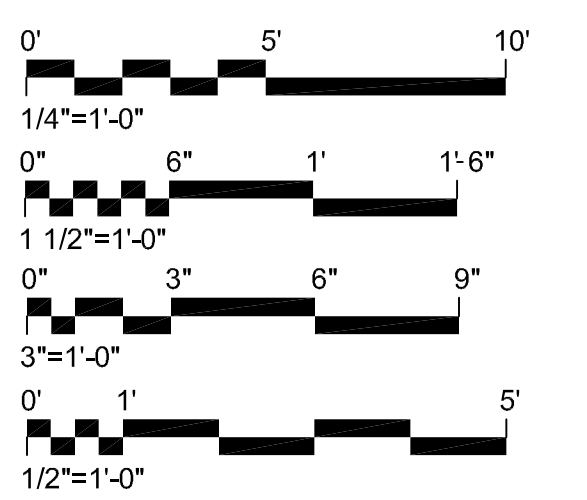


I CERTIFY THAT THESE DOCUMENTS WERE PREPARED BY OR APPROVED BY ME AND THAT I AM A DULY LICENSED ARCHITECT UNDER THE LAWS OF THE STATE OF MARYLAND, LICENSE NUMBER 0013269, EXPIRATION DATE SEPT 27, 2016.

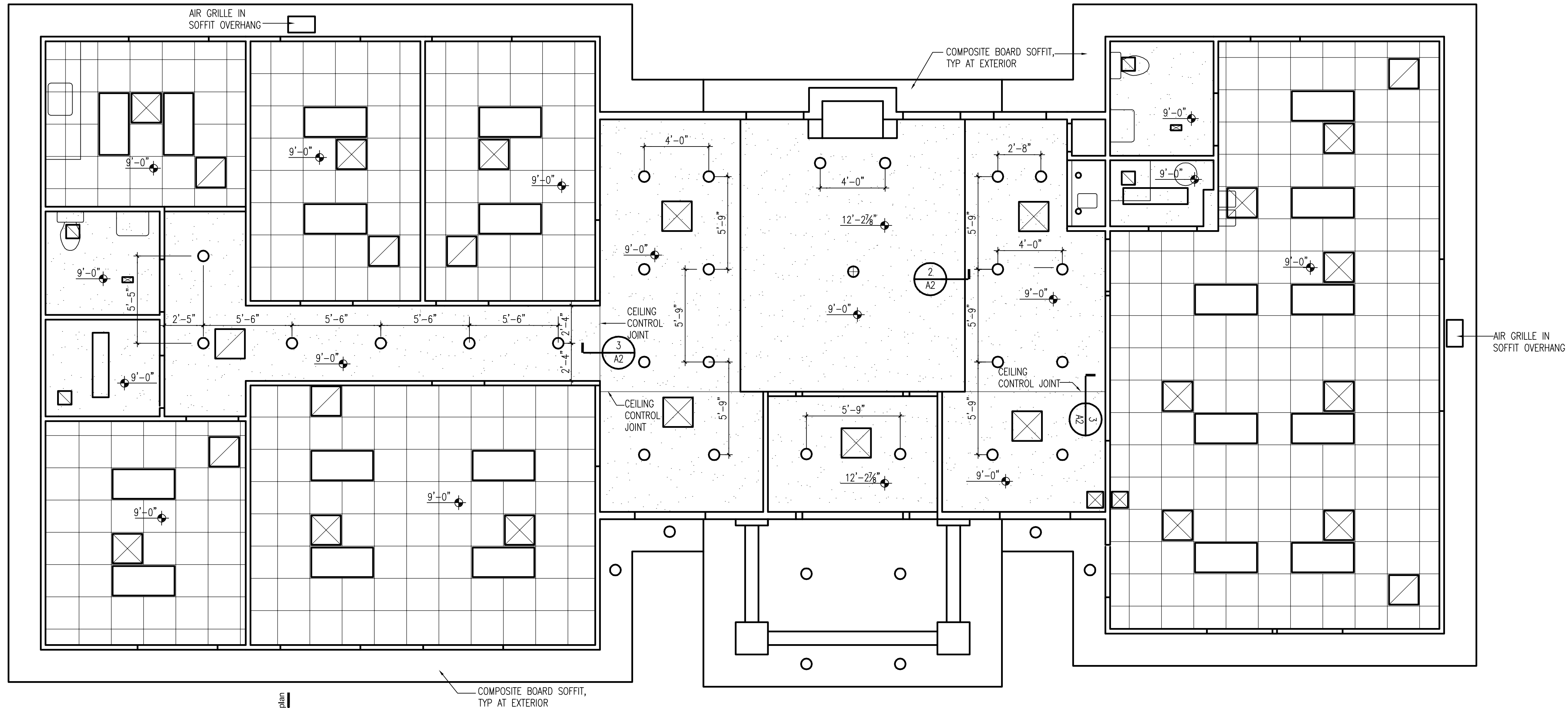
Legend

- GYPSUM BOARD CEILING
- 2x2 SUSPENDED LAY-IN ACOUSTIC PANEL
- RECESSED DOWNLIGHT FIXTURE
- CEILING MOUNTED PENDANT
- RECESSED DOWNLIGHT WALL WASH
- 1x4 SURFACE MOUNTED FLUORESCENT LIGHT FIXTURE
- 2x4 RECESSED FLUORESCENT LIGHT FIXTURE
- SUPPLY AIR REGISTER
- RETURN AIR / EXHAUST GRILLE

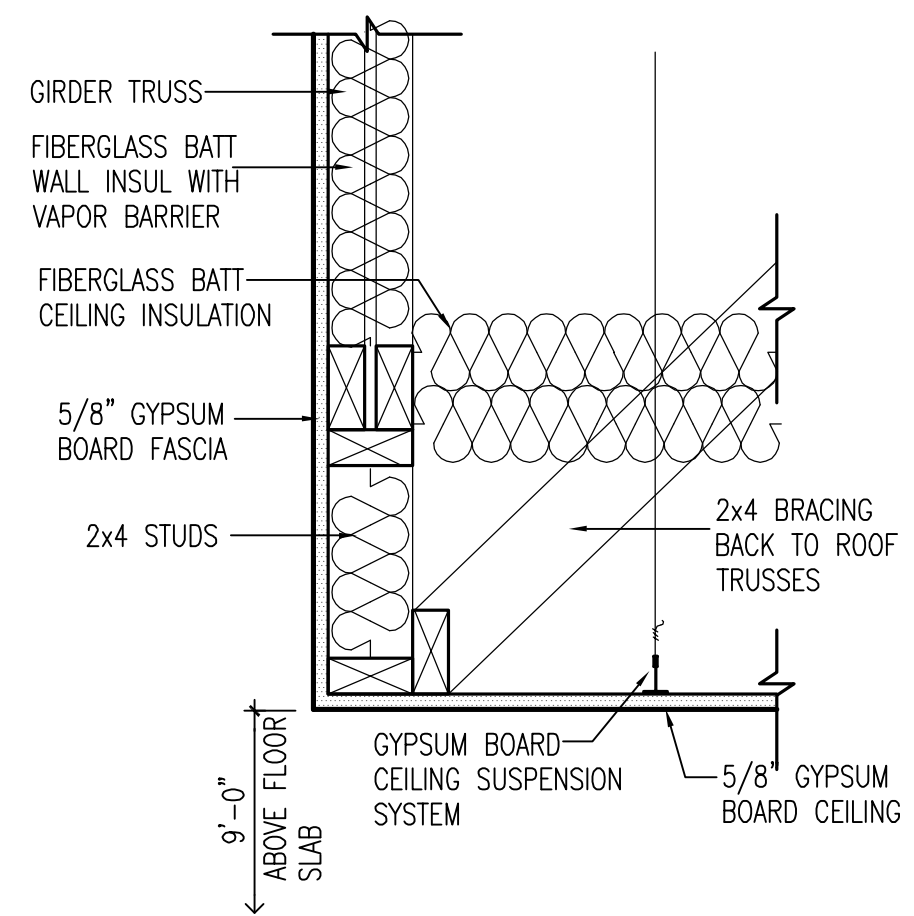
graphic scales



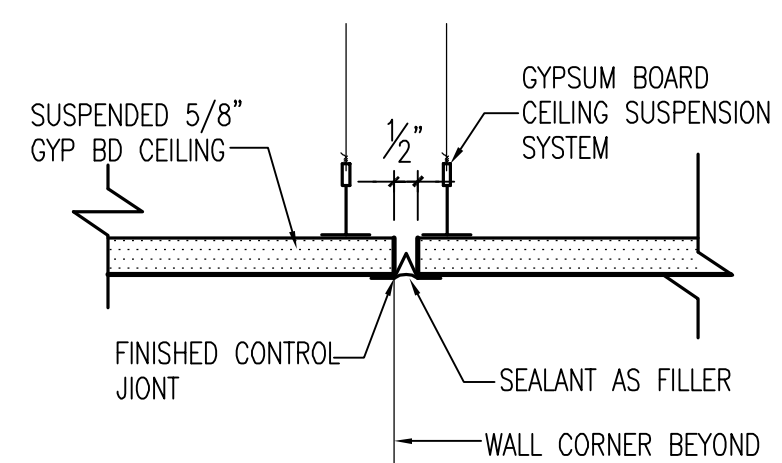
project:	21418
phase:	Permit
date:	17 April 2015
revisions:	10 June 2016 - Plan mirrored



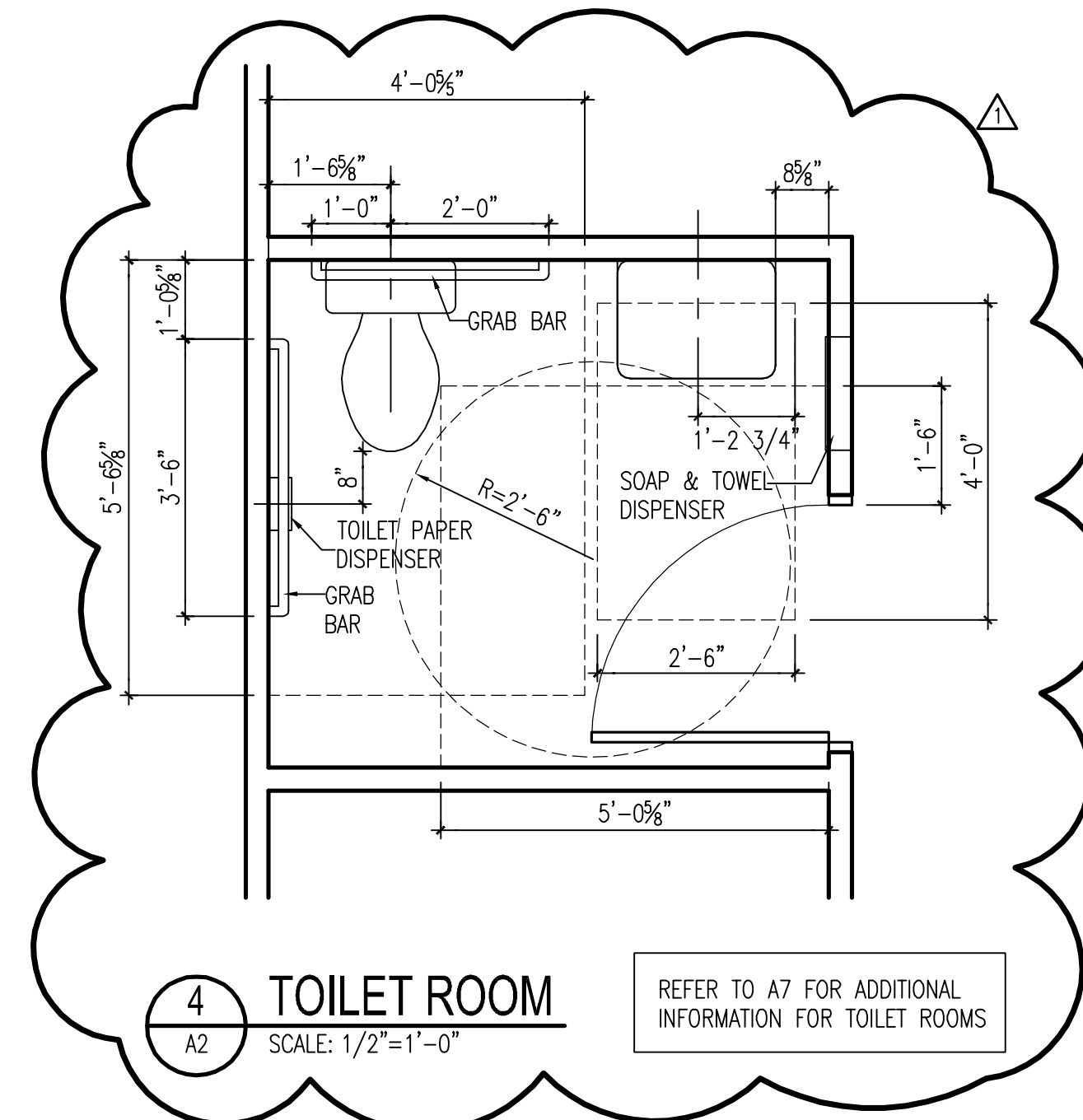
1 REFLECTED CEILING PLAN
SCALE: 1/4"=1'-0"
NORTH



2 CEILING SOFFIT DETAIL
SCALE: 1 1/2"=1'-0"



3 CONTROL JOINT DETAIL
SCALE: 3"=1'-0"



4 TOILET ROOM
SCALE: 1/2"=1'-0"