

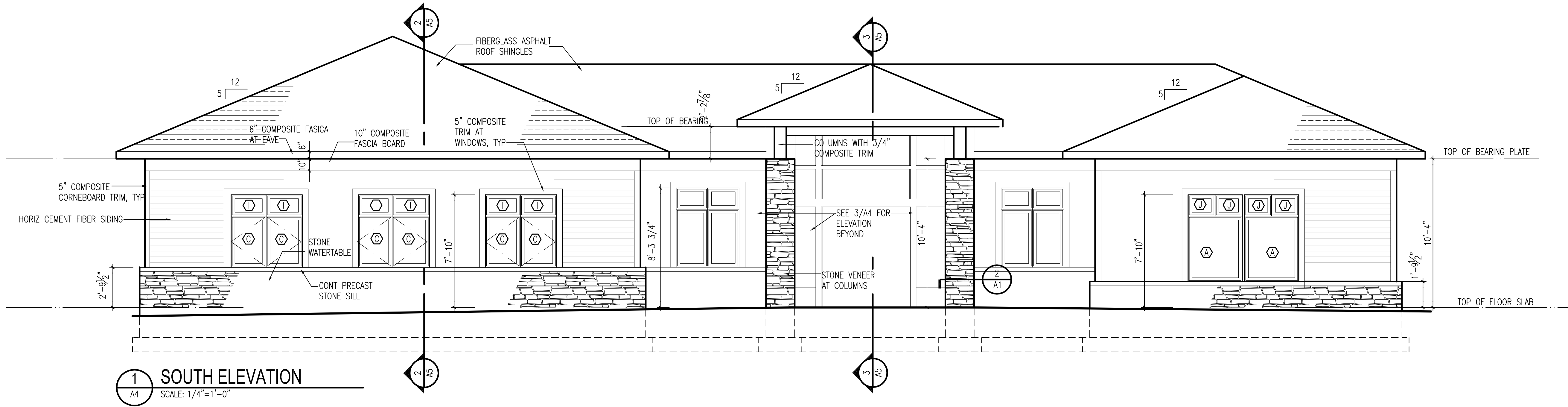
FEDERAL CAPITAL PARTNERS

5425 Wisconsin Avenue • Suite 202
Chevy Chase MD 20815
240 395 2000

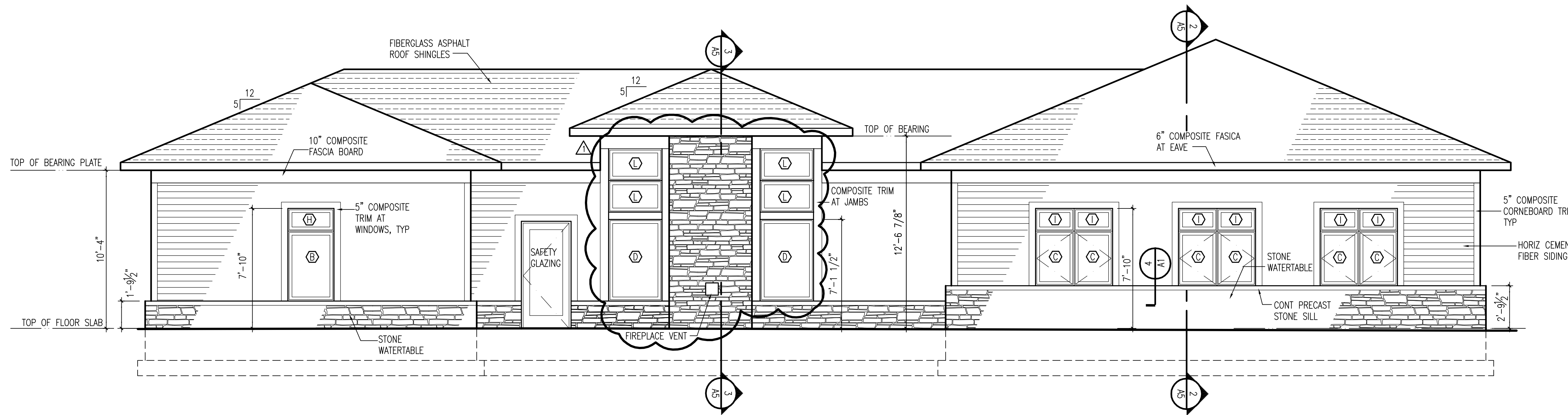
NOVITSKE ARCHITECTS

201 North Fairfax Street • Suite 33
Alexandria VA 22314
703 535 7899 • 703 535 8840 fax

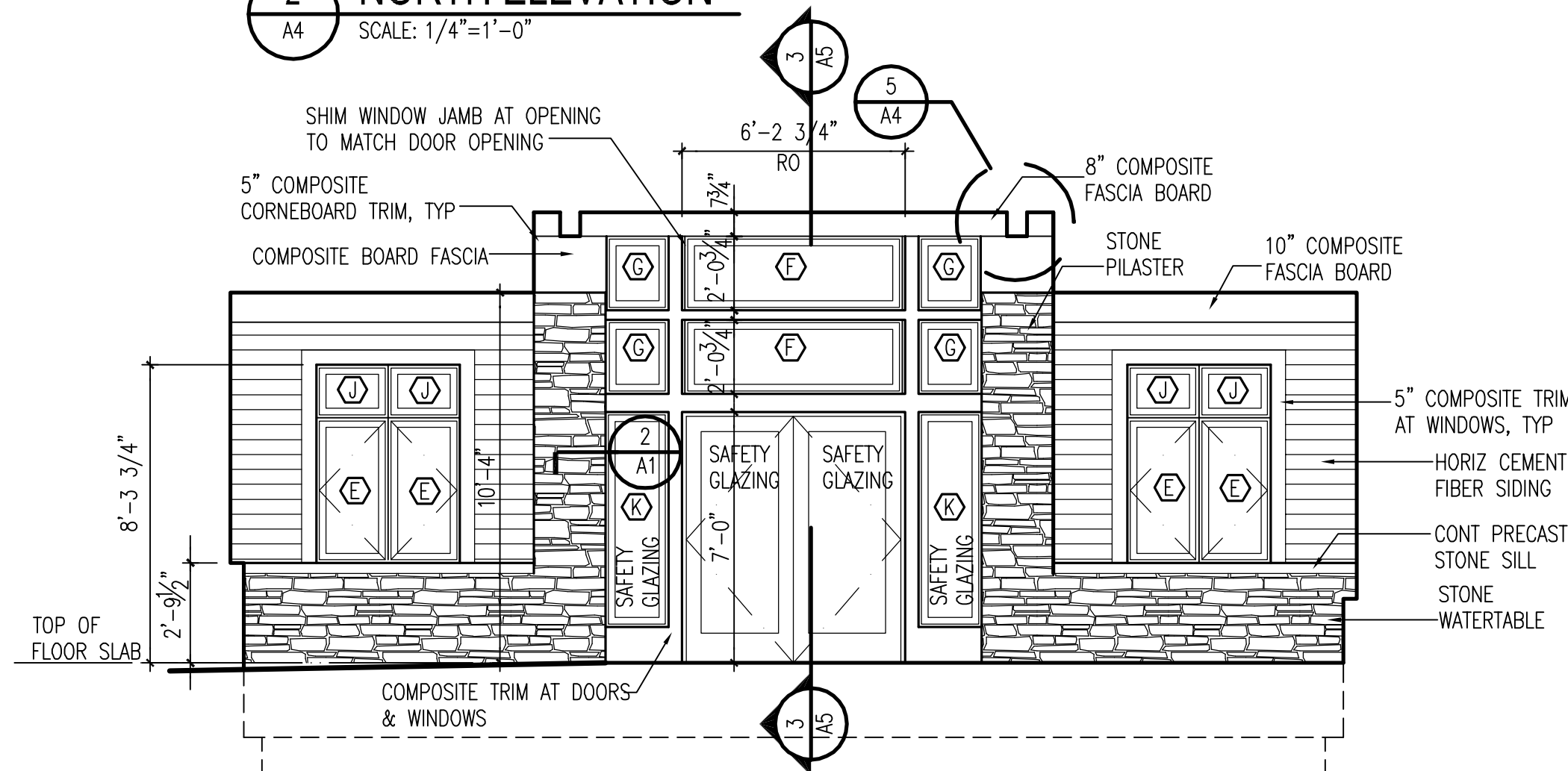
I CERTIFY THAT THESE DOCUMENTS WERE PREPARED BY OR APPROVED BY ME AND THAT I AM A DULY LICENSED ARCHITECT UNDER THE LAWS OF THE STATE OF MARYLAND, LICENSE NUMBER 0013269, EXPIRATION DATE SEPT 27, 2016.



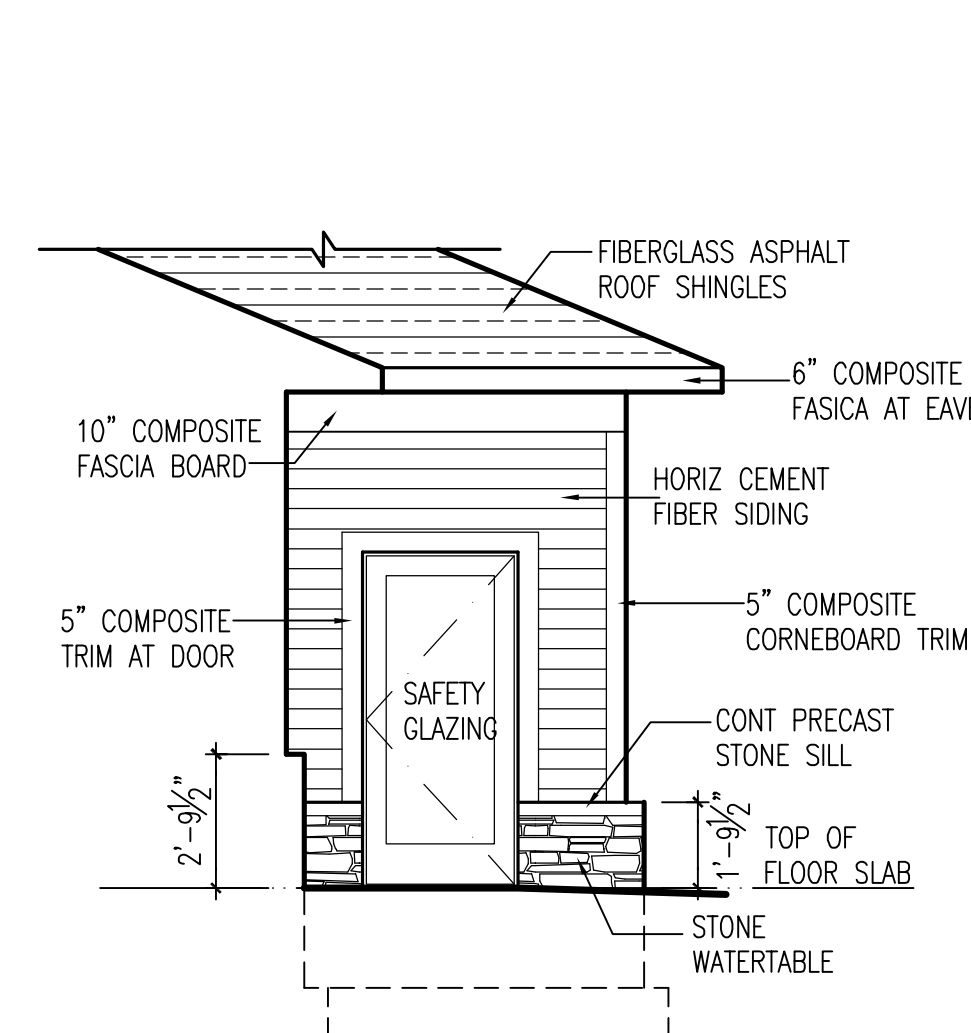
1 SOUTH ELEVATION
SCALE: 1/4"=1'-0"



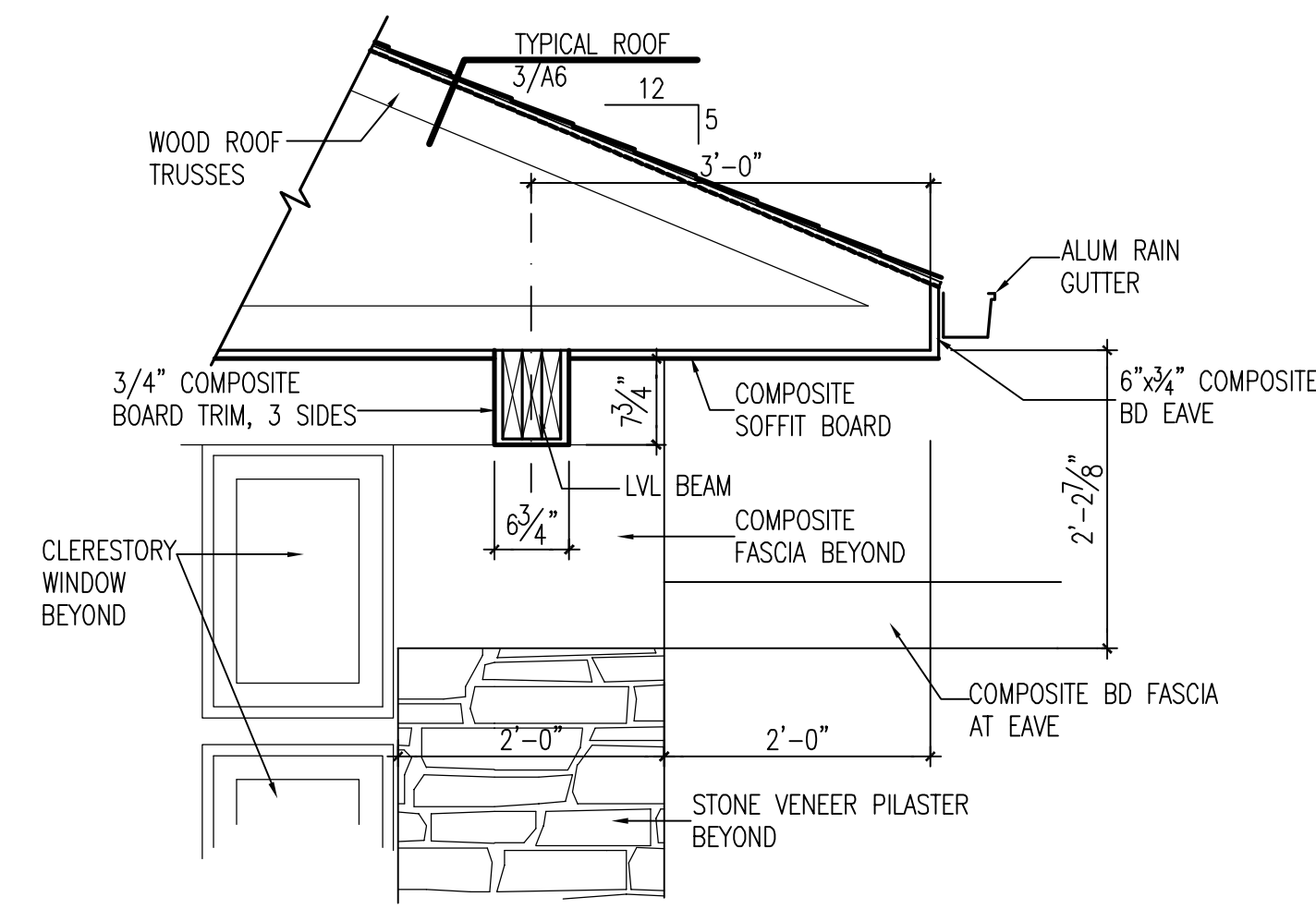
2 NORTH ELEVATION
SCALE: 1/4"=1'-0"



3 PARTIAL SOUTH ELEVATION
SCALE: 1/4"=1'-0"

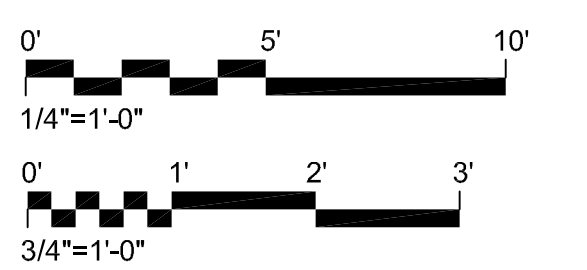


4 PARTIAL WEST ELEVATION
SCALE: 1/4"=1'-0"



5 EAVE DETAIL
SCALE: 3/4"=1'-0"

graphic scales



project: 21418
phase: Permit
date: 17 April 2015
revisions: 10 June 2016 - Plan mirrored