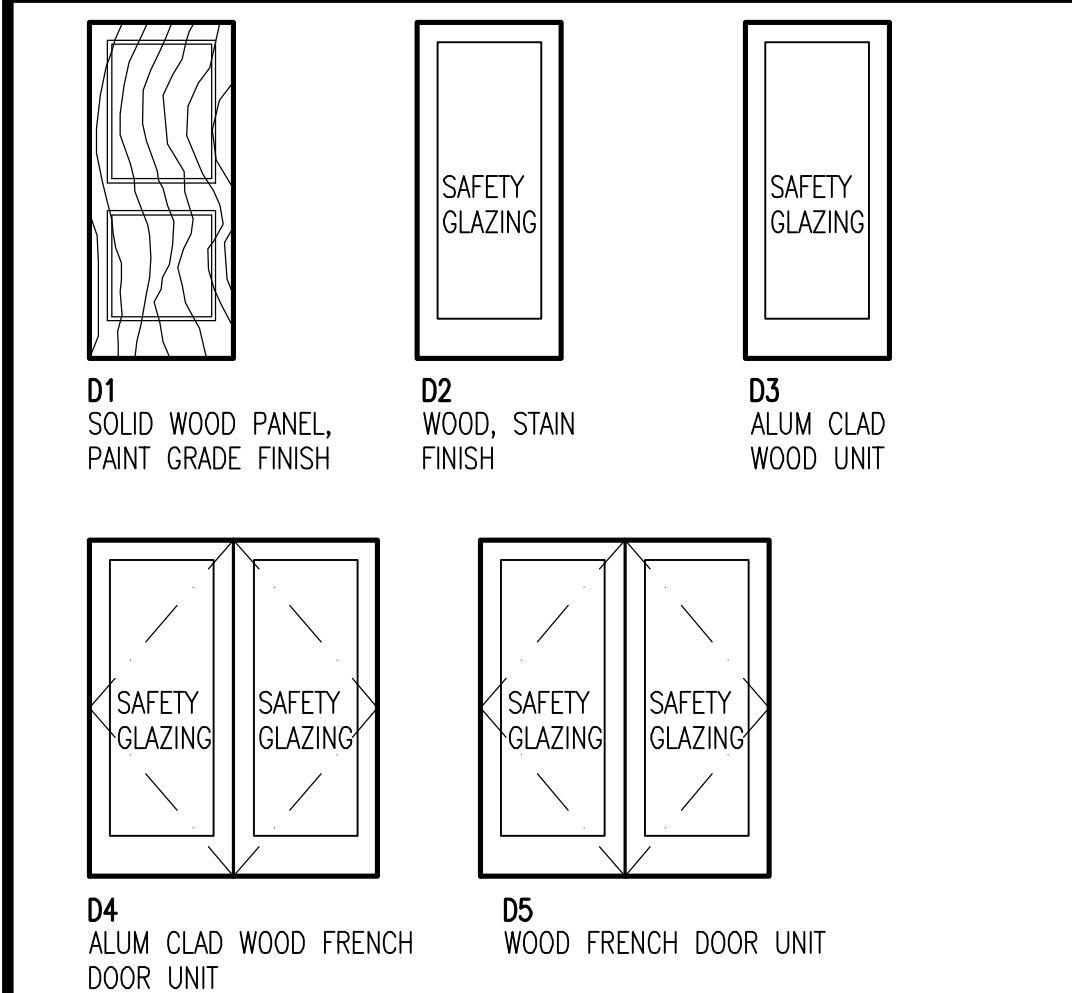


**DOOR SCHEDULE**

NO.	SIZE	TYPE	HEAD	JAMB	HDWR	REMARKS
01A	3'-0" x 7'-0" x 1 1/2"	D3	2/A7	2/A7, 6/A7	H5	2, 5
01B	3'-0" x 7'-0" x 1 1/2"	D2	1/A7	1/A7, 7/A7	H2	6
02	3'-0" x 7'-0" x 1 1/2"	D1	1/A7	1/A7	H1	1, 4
03	3'-0" x 7'-0" x 1 1/2"	D1	1/A7	1/A7	H7	1
04A	3'-0" x 7'-0" x 1 1/2"	D3	2/A7	2/A7, 6/A7	H5	2, 5
04B	3'-0" x 7'-0" x 1 1/2"	D1	1/A7	1/A7	H8	
06A	(2)3'-0" x 7'-0" x 1 1/2"	D4	2/A7	9/A7	H3	2, 3
06B	(2)3'-0" x 7'-0" x 1 1/2"	D5	8/A7	8/A7	H9	
09	3'-0" x 7'-0" x 1 1/2"	D1	1/A7	1/A7	H2	
10	3'-0" x 7'-0" x 1 1/2"	D1	1/A7	1/A7	H2	
12	3'-0" x 7'-0" x 1 1/2"	D1	1/A7	1/A7	H2	
14	3'-0" x 7'-0" x 1 1/2"	D1	1/A7	1/A7	H1	1, 4
15	3'-0" x 7'-0" x 1 1/2"	D1	1/A7	1/A7	H7	1, 4
16	3'-0" x 7'-0" x 1 1/2"	D1	1/A7	1/A7	H2	

**DOOR TYPES**



**REMARKS**

- UNDERCUT DOOR 1" FOR AIR RETURN
- DOOR HINGES, SILL, & WEATHERSTRIP ARE PART OF MANUFACTURER'S DOOR UNIT
- PROVIDE FOR INSTALLATION IN 2x6 STUD WALL
- VINYL REDUCER STRIP SILL BETWEEN VINYL FLOOR AND CARPET
- PROVIDE JAMB EXTENSIONS FOR 2x6 STUD WALL
- PROVIDE GLAZING IN DOOR, EFI BI-FUZZ PATTERN ON CLEAR GLASS

**HARDWARE GROUPS**

- H1 3 MORTISED PLAIN BEARING HINGES, 4x4", 3 KNUCKLE, MCKINNEY TA314  
 1 CYLINDER LOCKSET, LEVER TRIM, F76B FUNCTION, YALE 4600  
 1 CLOSER, REGULAR ARM MOUNTING, CORBIN RUSSWIN DC3200  
 1 WALL MOUNTED STOP, IVES WS11  
 1 VINYL THRESHOLD STRIP, JOHNSONITE, CTA-XX-A
- H2 3 MORTISED PLAIN BEARING HINGES, 4x4", 3 KNUCKLE, MCKINNEY TA314  
 1 CYLINDER LOCKSET, LEVER TRIM, FUNCTION F109, YALE 4600  
 1 FLOOR MOUNTED STOP, IVES FS441
- H3 1 SINGLE CYLINDER DEADBOLT, YALE  
 1 PAIR TOP & BOTTOM BOLT, IVES 262  
 2 PULLS, 8"x1" DIAMETER, IVES 8103EZ  
 2 PULL PLATES, CUT FOR CYLINDER, 4"x16", IVES 8300  
 2 PUSH PLATES, CUT FOR CYLINDER, 4"x16", IVES 8200  
 2 DOOR KICKPLATES, 8" HIGH, IVES 8400  
 2 CLOSERS, PARALLEL ARM MOUNT, RUSSWIN CORBIN DC3210
- H4 3 MORTISED PLAIN BEARING HINGES, 4x4", 3 KNUCKLE, MCKINNEY TA314  
 1 PASSAGE LATCHSET, LEVER TRIM, FUNCTION F75, YALE 4600  
 1 WALL MOUNTED STOP, IVES WS11
- H5 1 CYLINDER LOCKSET, LEVER TRIM, F84 FUNCTION, YALE 4700  
 1 CLOSER, PARALLEL ARM MOUNT, RUSSWIN CORBIN DC3210  
 1 DOOR KICKPLATE, 8" HIGH, IVES 8400
- H6 3 MORTISED PLAIN BEARING HINGES, 4x4", 3 KNUCKLE, MCKINNEY TA314  
 1 CYLINDER LOCKSET, LEVER TRIM, F86 FUNCTION, YALE 4600  
 1 WALL MOUNTED STOP, IVES WS11  
 1 VINYL THRESHOLD STRIP, JOHNSONITE, CTA-XX-A
- H7 3 MORTISED PLAIN BEARING HINGES, 4x4", 3 KNUCKLE, MCKINNEY TA314  
 1 CYLINDER LOCKSET, LEVER TRIM, F86 FUNCTION, YALE 4600  
 1 VINYL THRESHOLD STRIP, JOHNSONITE, CTA-XX-A
- H8 3 MORTISED PLAIN BEARING HINGES, 4x4", 3 KNUCKLE, MCKINNEY TA314  
 1 CYLINDER LOCKSET, LEVER TRIM, F86 FUNCTION, YALE 4600
- H9 6 MORTISED PLAIN BEARING HINGES, 4x4", 3 KNUCKLE, MCKINNEY TA314  
 2 CLOSERS PARALLEL ARM MOUNT, RUSSWIN CORBIN DC3210  
 2 PULLS, 8"x1" DIAMETER, IVES 8103EZ  
 2 PULL PLATES, 4"x16", IVES 8300  
 2 PUSH PLATES, 4"x16", IVES 8200  
 2 DOOR KICKPLATES, 8" HIGH, IVES 8400

**ROOM FINISH SCHEDULE**

NO.	DESIGNATION	FLOORS	BASE	WALLS	CEILING	HEIGHT	REMARKS
01	FITNESS CENTER	CPT2	VB1	GYP1, GL2	ACT	9'-0"	1
02	TOILET	VT1	VB1	GYP1	GYP3	9'-0"	
03	JANITOR	VT1	VB1	GYP1	GYP3	9'-0"	
04	LOBBY	CPT1, CT1	WD1	GYP1, GL2	GYP3	12'-6"	2, 3, 5, 6
05	CLOSING	CPT1	WD1	GYP1	GYP3	9'-0"	5
06	VESTIBULE	CT1	WD1	GYP1	GYP3	12'-6"	5
07	LEASING	CPT1	WD1	GYP1	GYP3	9'-0"	2, 3, 5
08	LEASING	CPT1	WD1	GYP1	GYP3	9'-0"	2, 3, 5
09	ASST MANAGER	CPT1	VB1	GYP2, GL1	ACT	9'-0"	
10	ASST MANAGER	CPT1	VB1	GYP2, GL1	ACT	9'-0"	
11	CORRIDOR	CPT1	WD1	GYP1	GYP3	9'-0"	5
12	MANAGER	CPT1	VB1	GYP1	ACT	9'-0"	
13	BREAK	VT1	VB1	GYP1	ACT	9'-0"	3, 4
14	TOILET	VT1	VB1	GYP1	GYP3	9'-0"	
15	UTILITY	VT1	VB1	GYP1	GYP3	9'-0"	
16	OFFICE	CPT1	VB1	GYP1	ACT	9'-0"	3, 4

**REMARKS KEY**

- WALL MOUNTED MIRRORS
- SEE CEILING PLAN FOR EXTENT OF HIGH CEILING
- SEE FLOOR PLAN FOR EXTENT OF STONE TILE AND CARPET
- SEE FLOOR PLAN FOR EXTENT OF WOOD BASE
- WOOD BASE AND CASING TRIM PAINTED SHERWIN WILLIAMS, SEMIGLOSS
- GL1 AT OFFICES, GL2 AT FITNESS CENTER

**FINISHES KEY**

- CPT1 CARPET, SIGNATURE BROADLOOM, MILLIKIN, SELECTED BY OWNER  
 CPT2 CARPET, CARPET TILE, MILLIKIN, SELECTED BY OWNER
- VT1 RESILIENT TILE, MANNINGTON AMITCO, SPACIA, BIAS TRAVERTINE OYSTER, SS553595, 12"x18"
- CT1 PORCELAIN TILE PLANKS, STONE SOURCE, TAVOLE DI LEGNO, RED OAK
- WD1 WOOD BASE, PAINTED, SM-97, 3/4"x5 1/2"
- VB1 VINYL COVE BASE, JOHNSONITE, 34 ALMOND, 4"
- GYP1 PAINTED GYPSUM BOARD, SHERWIN WILLIAMS, 6106 KILIM BEIGE, EGGSHELL FINISH  
 GYP2 PAINTED GYPSUM BOARD, SHERWIN WILLIAMS, 6105 DEVINE WHITE, EGGSHELL FINISH  
 GYP3 PAINTED GYPSUM BOARD, SHERWIN WILLIAMS, 6105 DEVINE WHITE, FLAT FINISH
- ACT SUSPENDED LAY-IN ACOUSTIC TILE, ARMSTRONG, DUNE TEGULAR EDGE, 24"x24"
- GL1 GLASS PANEL, SAFETY GLAZING, CLEAR GLASS  
 GL2 GLASS PANEL, SAFETY GLAZING, EFI GLASS, SOFT-ETCH, CANNES PATTERN ON CLEAR GLASS

**NOTES**

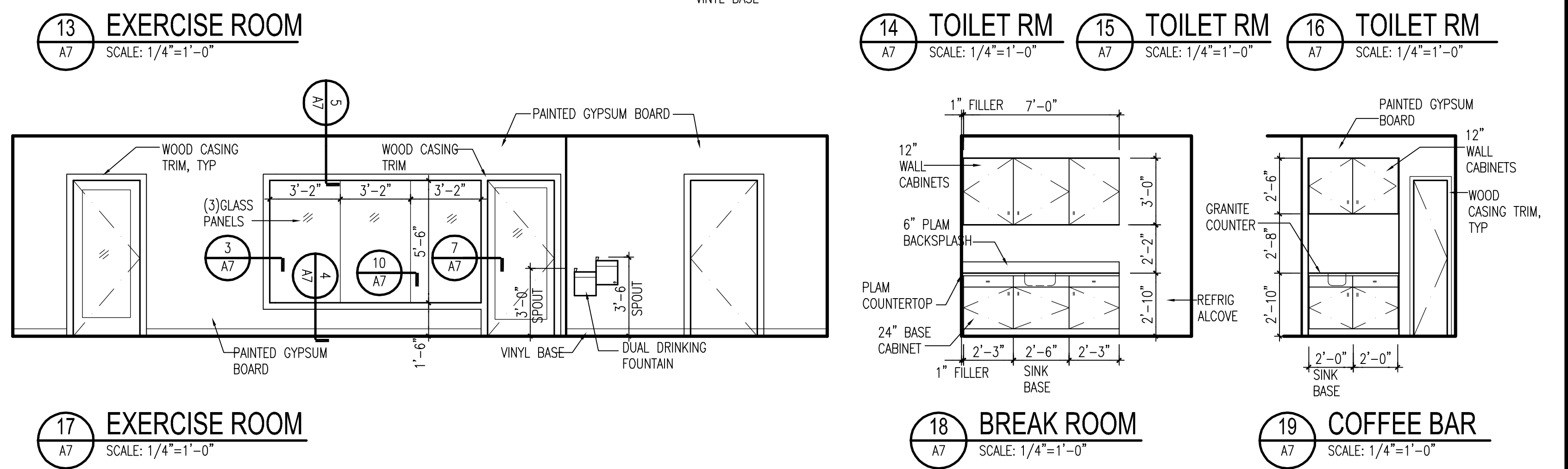
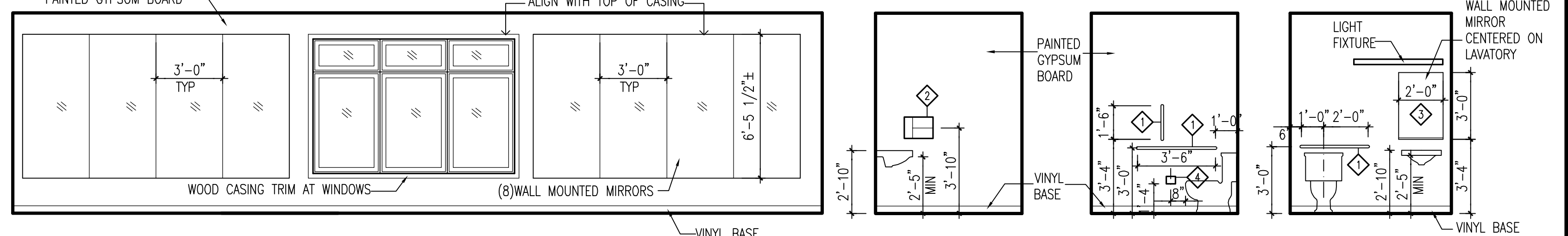
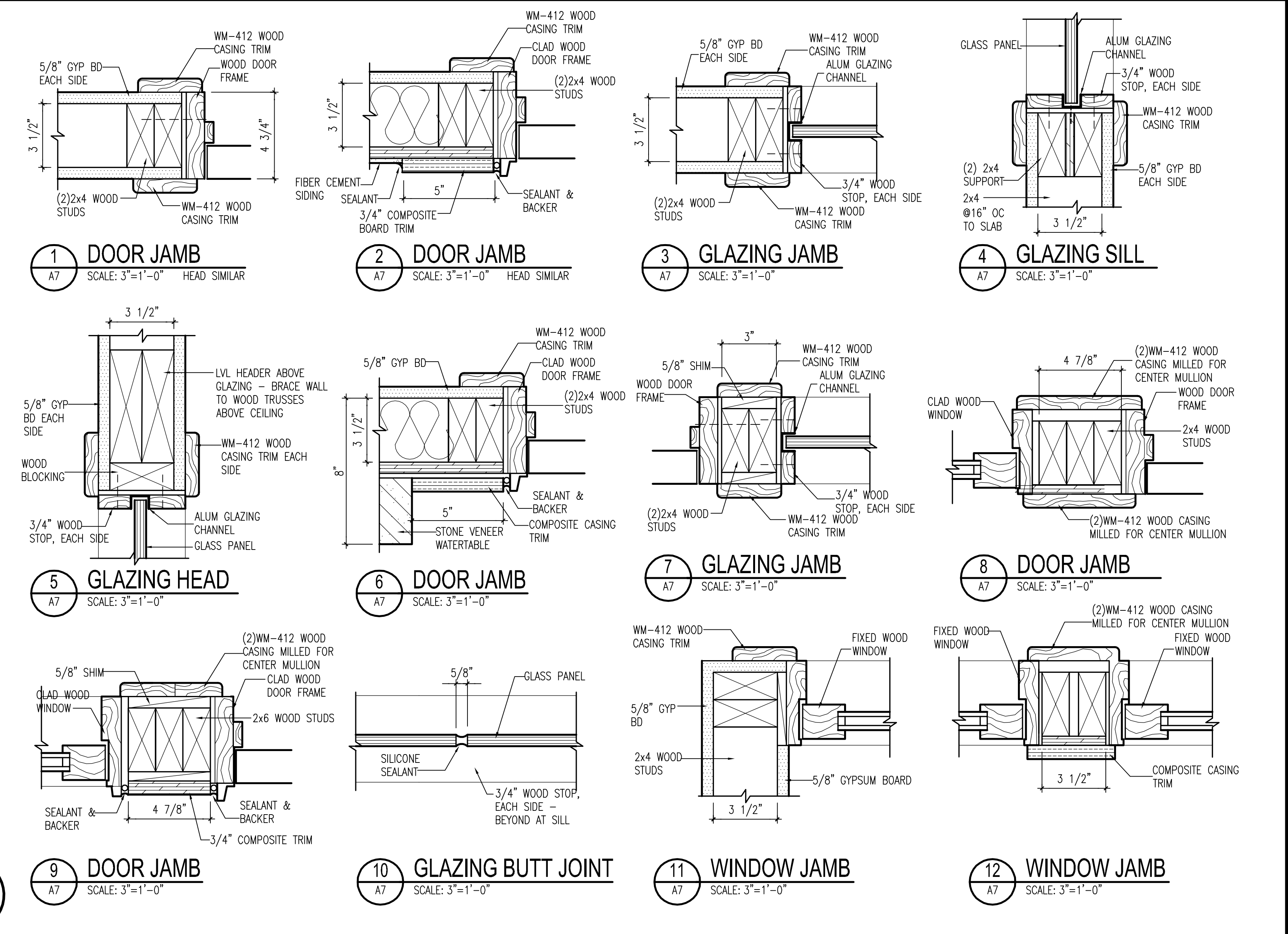
- ALL INTERIOR PARTITIONS TO BE 5/8" GYPSUM BOARD ON EACH SIDE OF 2x4 WOOD STUDS, 16" OC. STUD PARTITIONS TO TERMINATE AT UNDERSIDE OF ROOF TRUSSES.

**TOILET ACCESSORY SCHEDULE**

- 1 GRAB BAR, 1 1/2" DIA, BRUSHED STAINLESS STEEL
- 2 TOWEL & SOAP DISPENSER, BRADLEY RECESSED 1471
- 3 WALL MOUNTED MIRROR, STAINLESS STEEL FRAME & SHELF, BRADLEY 7815
- 4 TOILET TISSUE DISPENSER, SINGLE ROLL, RECESSED, BRADLEY 5104

**EXTERIOR MATERIALS SCHEDULE**

- STONE VENEER  
 4" STANDARD SIZE, COLOR AND TEXTURE TO MATCH EXISTING BATH HOUSE.
- CEMENT FIBER SIDING  
 JAMES HARDIE SIDING PRODUCTS, HARDIE PLANK LAP SIDING, 6" EXPOSURE, INTEGRAL COLOR SIDING COLOR - MONTEREY TAUPE
- COMPOSITE TRIM  
 PVC COMPOSITE FOR CORNERBOARDS, TRIM PLANK, BEADBOARD.  
 AZEK, TRADITIONAL FINISH, WHITE
- ASPHALT ROOF SHINGLES  
 TWO PIECE LAMINATED FIBERGLASS BASE, CLASS A FIRE RATED, CERTAINTED LANDMARK, 240 LB LIFETIME WARRANTY, WEATHERED WOOD
- ALUMINUM CLAD WINDOWS & DOORS  
 JELD-WEN ALUMINUM CLADDING, DESSERT SAND



**LEASING OFFICE**  
**CLUB HOUSE**  
 Walker Mill Apartments

1926 Rochelle Avenue  
 District Heights, Maryland 20747

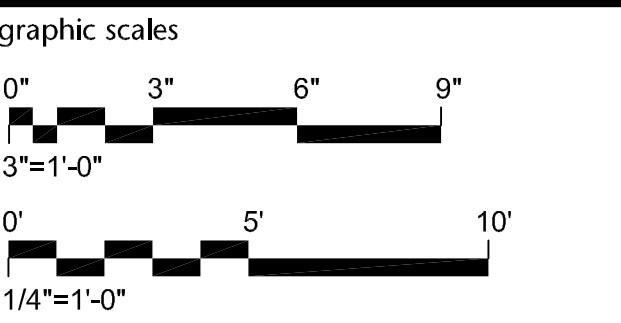
**FEDERAL CAPITAL PARTNERS**

5425 Wisconsin Avenue • Suite 202  
 Chevy Chase MD 20815  
 240 395 2000

**NOVITSKE ARCHITECTS**

201 North Fairfax Street • Suite 33  
 Alexandria VA 22314  
 703 535 7899 • 703 535 8840 fax

I CERTIFY THAT THESE DOCUMENTS WERE PREPARED BY OR APPROVED BY ME AND THAT I AM A DULY LICENSED ARCHITECT UNDER THE LAWS OF THE STATE OF MARYLAND, LICENSE NUMBER 0013269, EXPIRATION DATE SEPT 27, 2016.



project: 21418  
 phase: Permit  
 date: 17 April 2015  
 revisions: 10 June 2016 - Plan mirrored

Schedules, Details, &  
 Interior Elevations