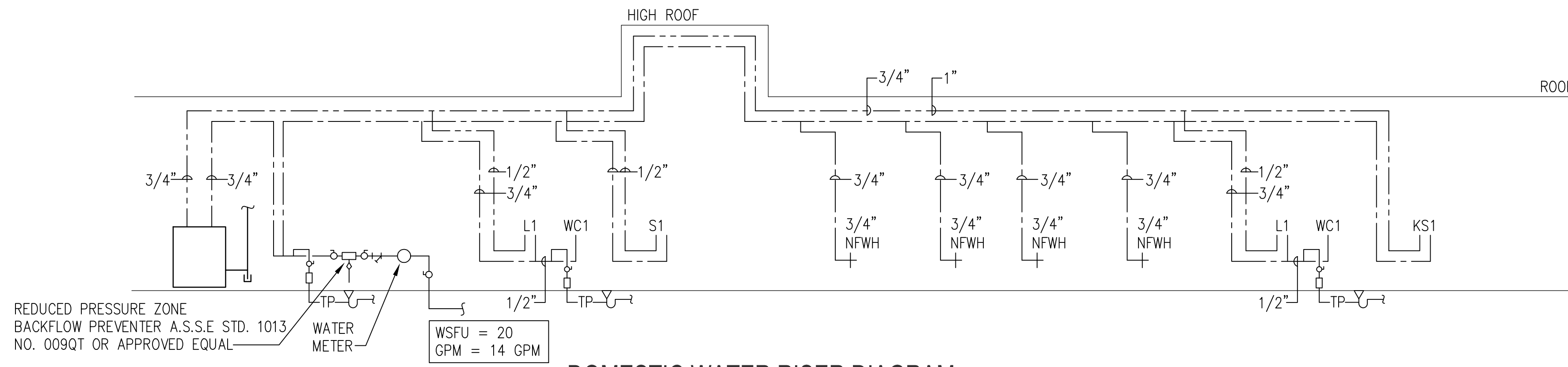
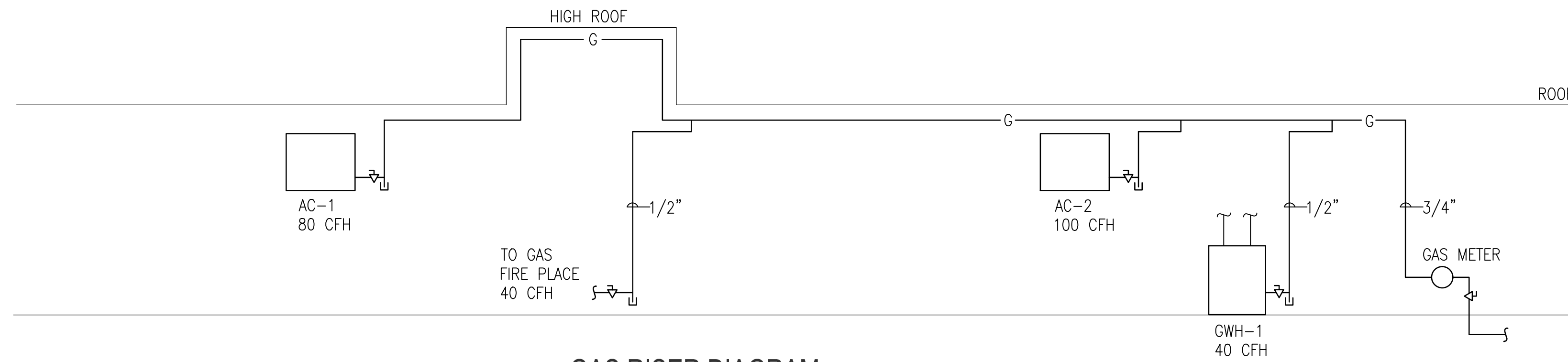




I CERTIFY THAT THESE DOCUMENTS WERE PREPARED BY OR APPROVED BY ME AND THAT I AM A DULY LICENSED PROFESSIONAL ENGINEER UNDER THE LAWS OF THE STATE OF MARYLAND.
LICENSE NUMBER: 16869,
EXPIRATION DATE: March 25, 2016

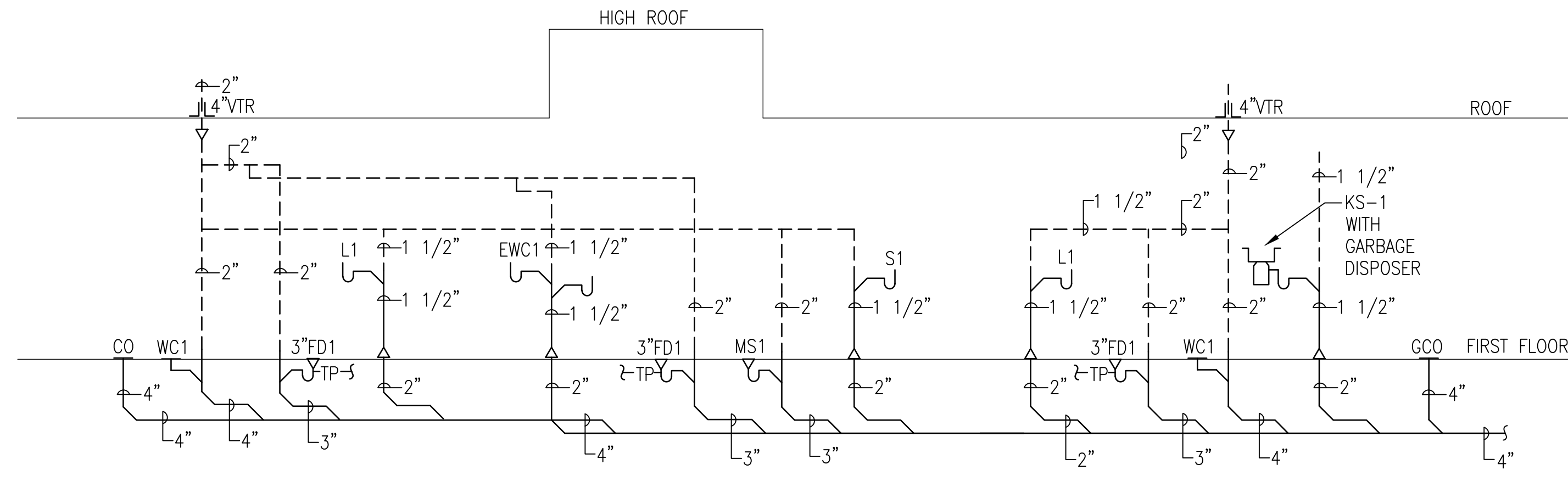


DOMESTIC WATER RISER DIAGRAM
NOT TO SCALE



GAS RISER DIAGRAM
NOT TO SCALE

GAS: NATURAL
150 FT @ 260 CFH
INLET PRESSURE: 2.0 PSIG
PRESSURE DROP: 1.0
SPECIFIC GRAVITY: 0.60
PIPE SIZE: 3/4"



SANITARY RISER DIAGRAM
NOT TO SCALE

graphic scales

project: 21418
phase: Permit
date: 17 April 2015
revisions: