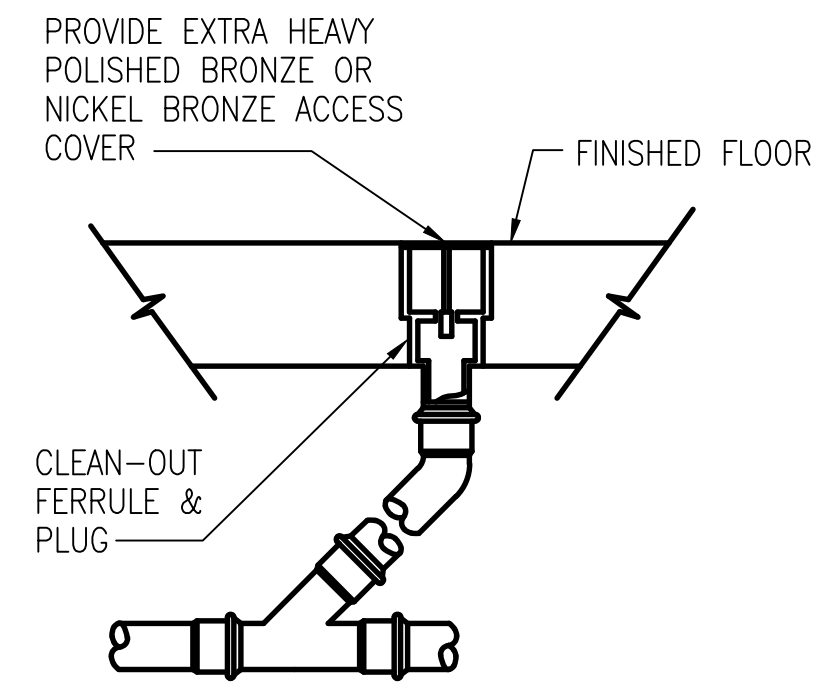


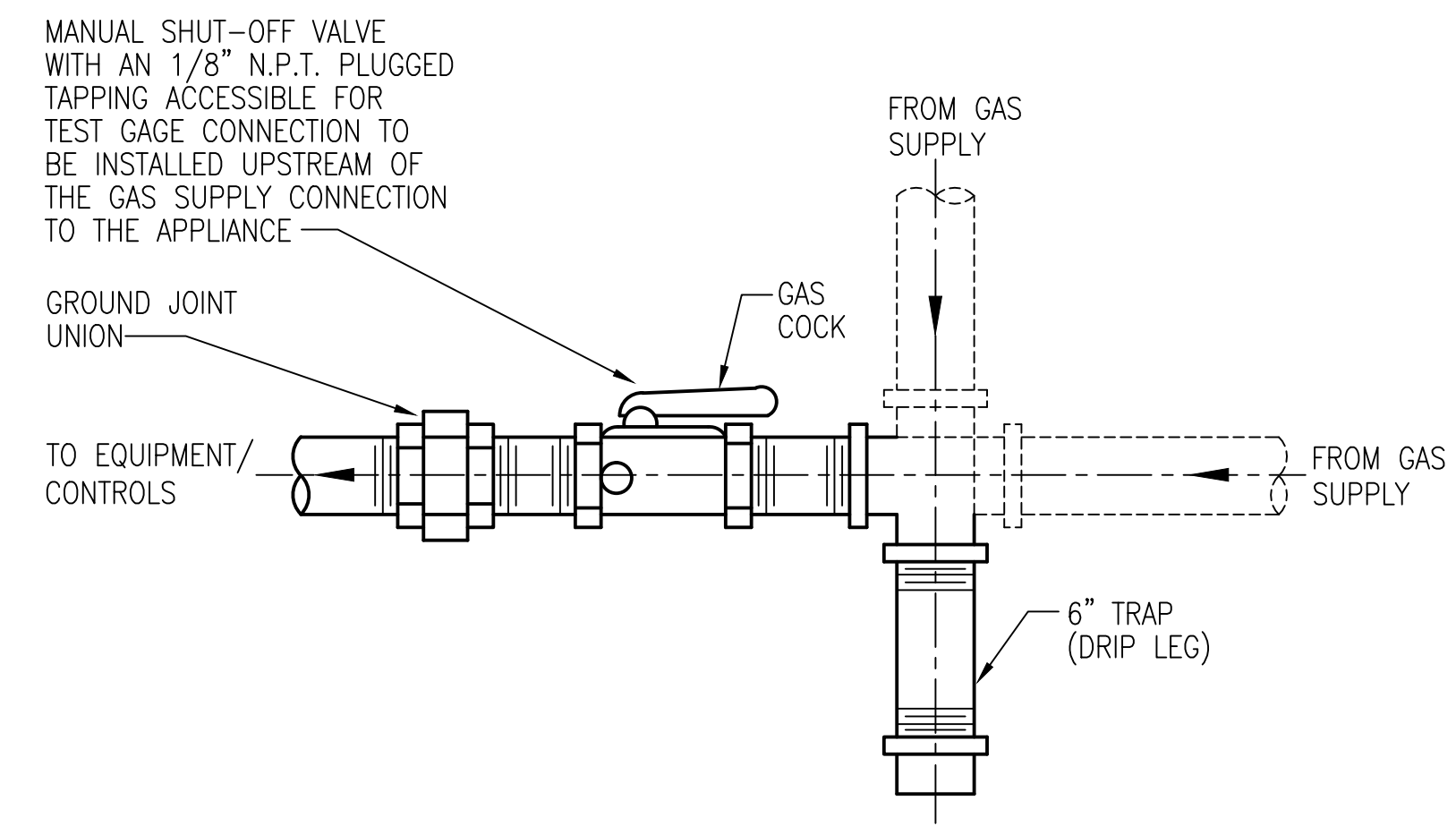
PPP SIZE	P.D.I. SYMBOL	FIXTURE UNIT RATINGS	A SIZE	B SIZE
1/2"	A	1 - 11	5"	1/2"
3/4"	B	12 - 32	5"	3/4"
1"	C	33 - 60	7"	1"
1-1/4"	D	61 - 113	7"	1-1/4"
1-1/2"	E	114 - 154	9"	1-1/2"
2"	F	155 - 330	9"	2"

NOTE: SEE WATER RISER DIAGRAMS FOR LOCATIONS OF SHOCK ARRESTERS.

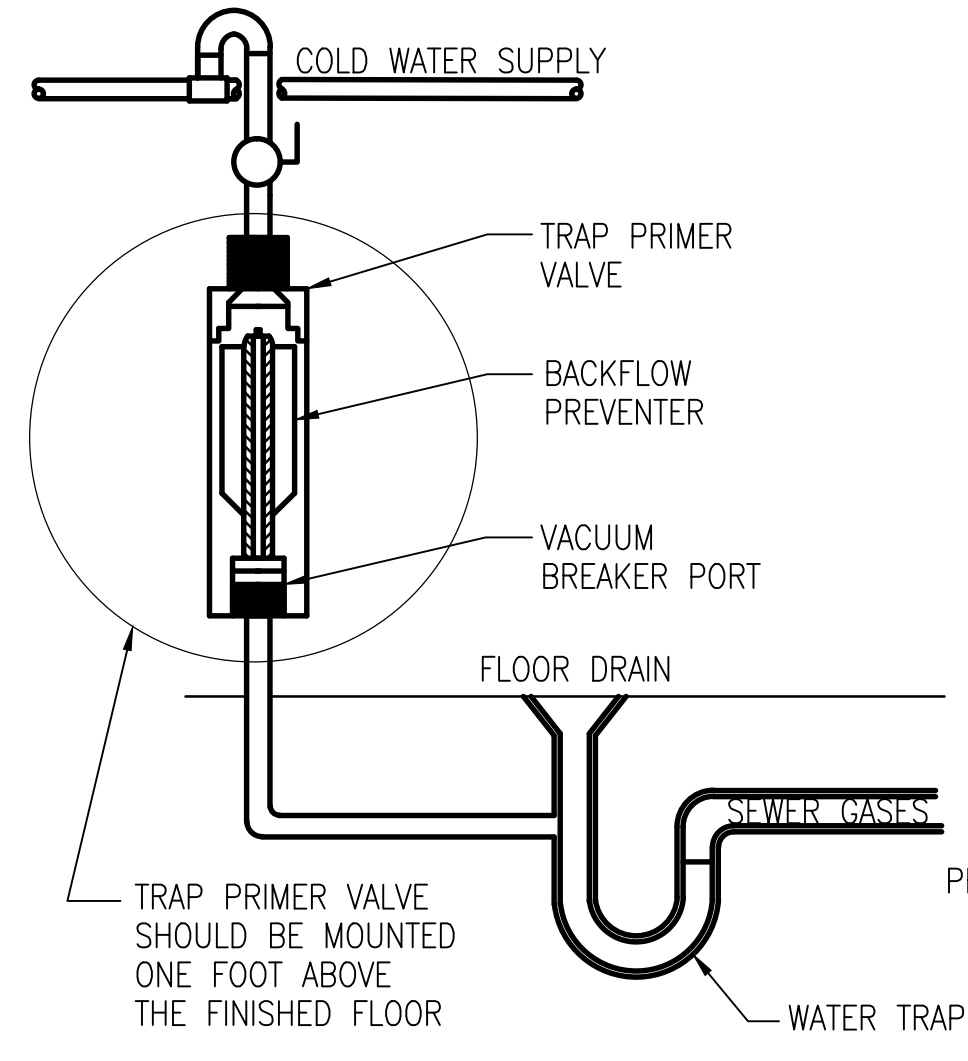
WATER SHOCK ARRESTOR DETAIL
NOT TO SCALE



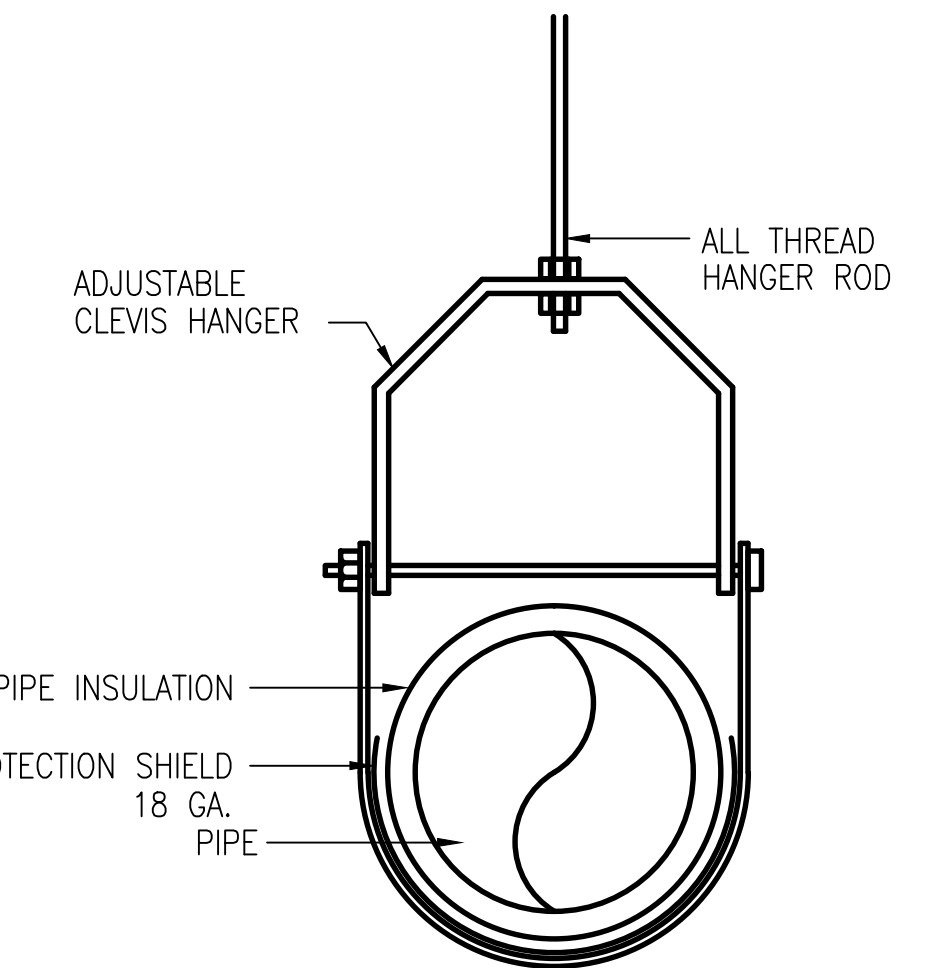
INTERIOR HORIZONTAL FLOOR CLEANOUT
NOT TO SCALE



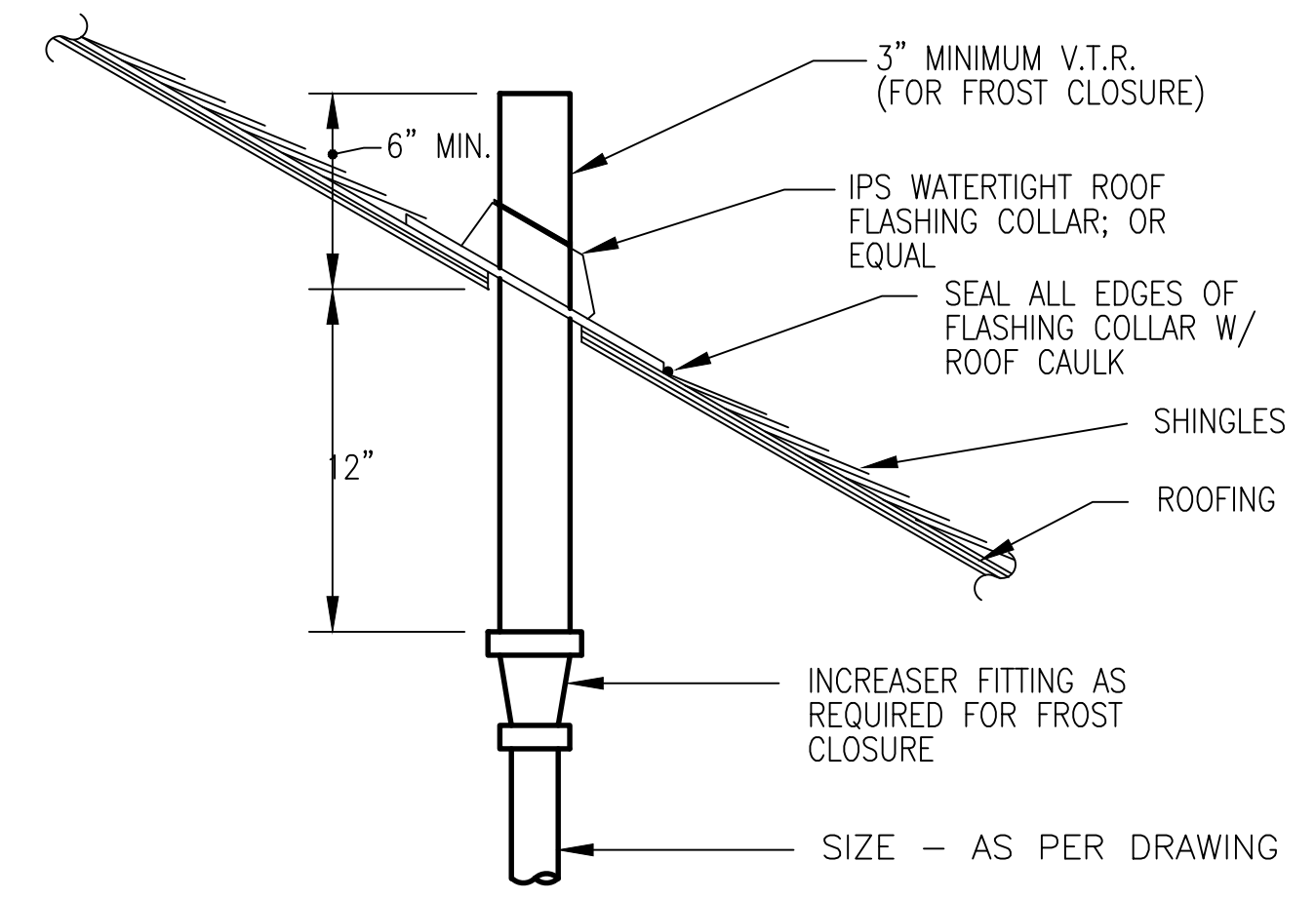
GAS CONNECTION TO EQUIPMENT DETAIL
NOT TO SCALE



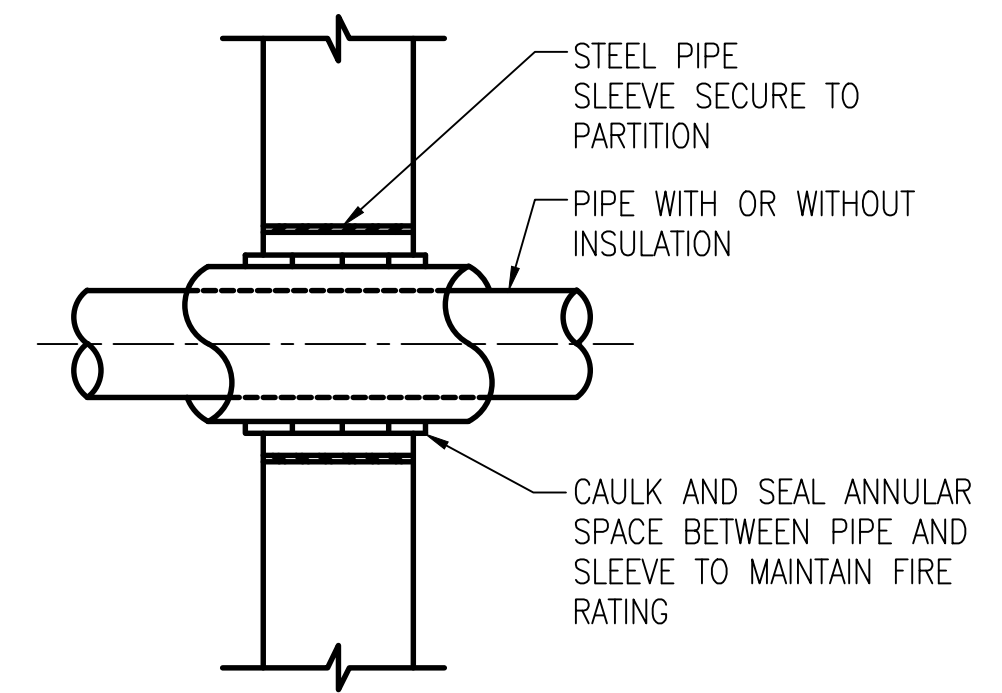
TRAP PRIMER DISTRIBUTION DETAIL
NOT TO SCALE



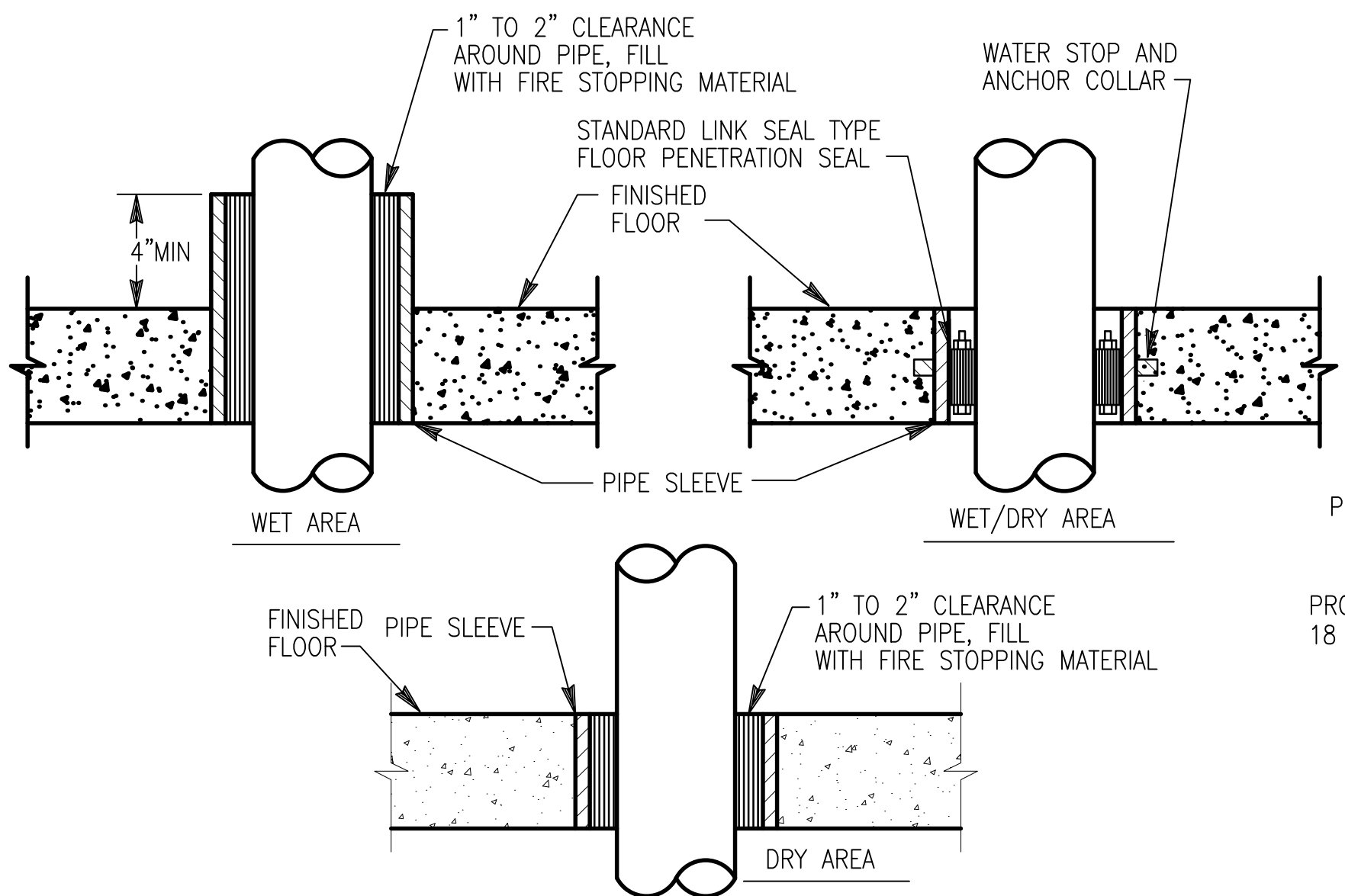
CLEVIS HANGER TYPICAL DETAIL
NOT TO SCALE



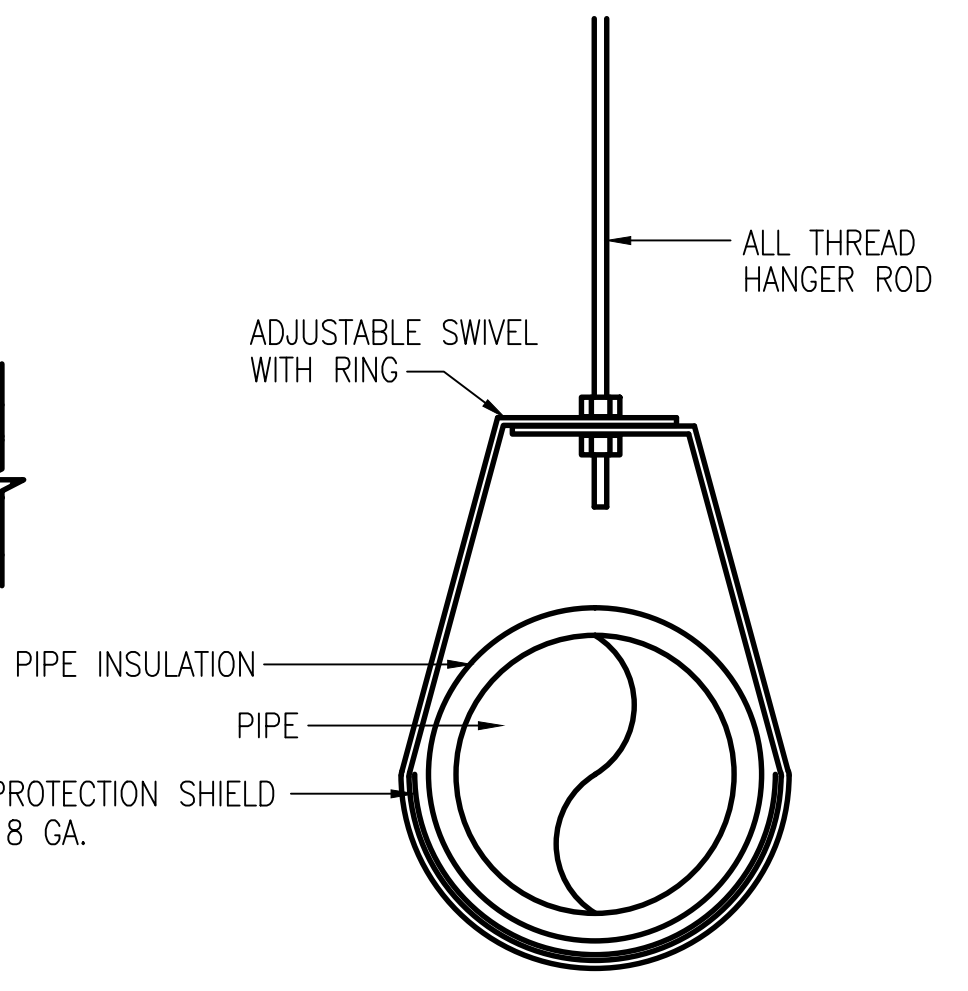
PLUMBING VENT THROUGH PITCHED ROOF DETAIL
NOT TO SCALE



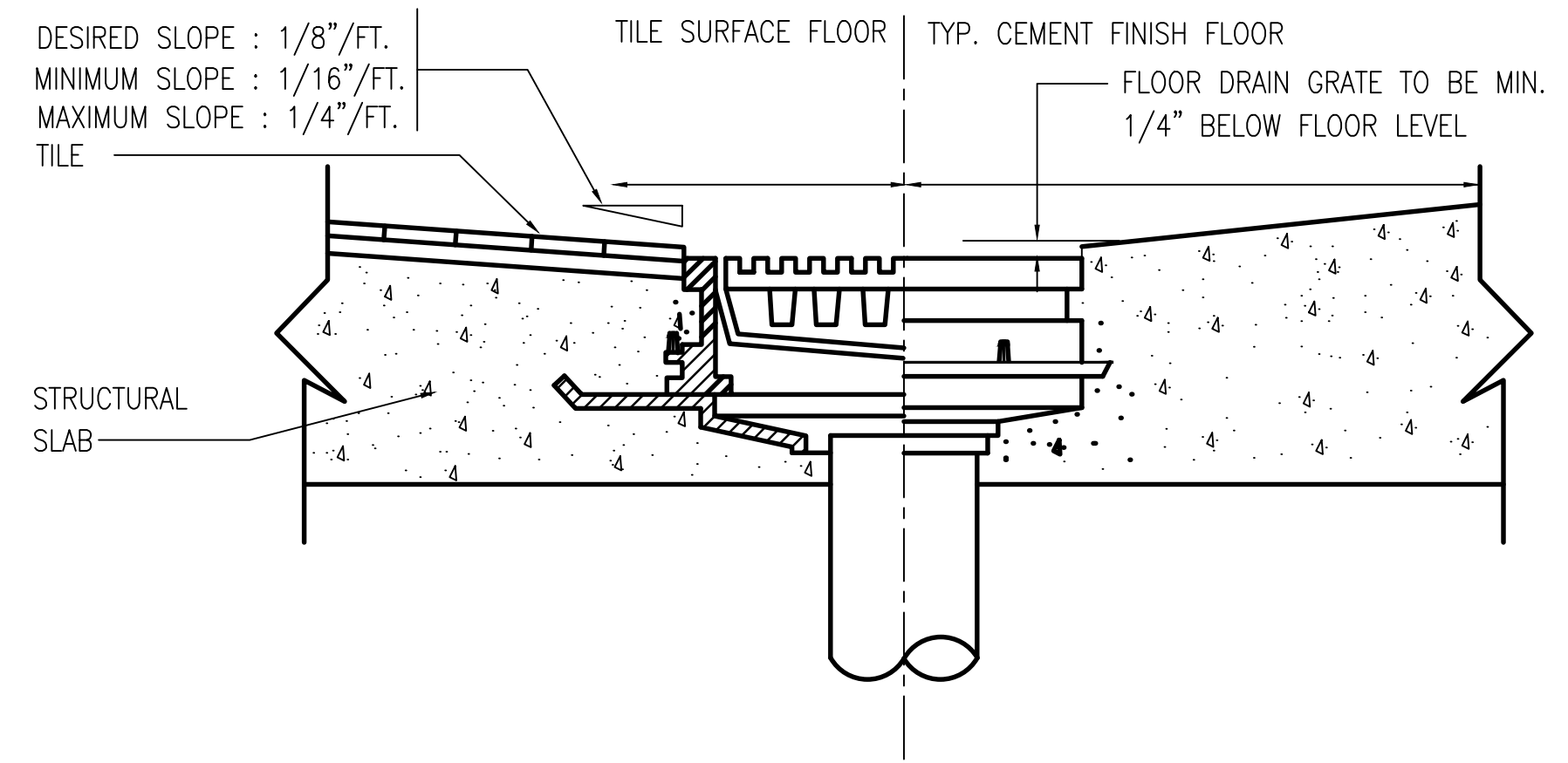
PIPE PENETRATION THRU WALL DETAIL
NOT TO SCALE



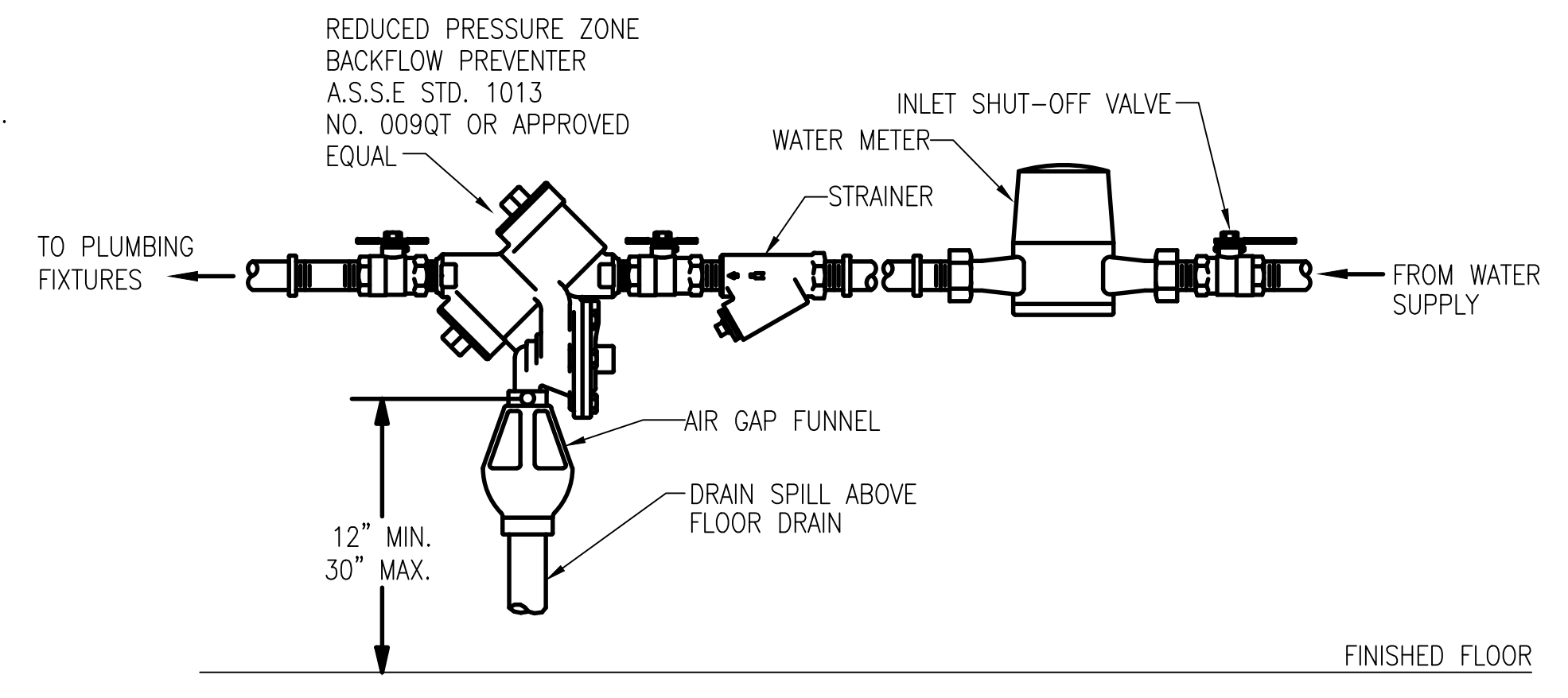
TYPICAL MEMBRANE WATERPROOF FLOOR PENETRATION
NOT TO SCALE



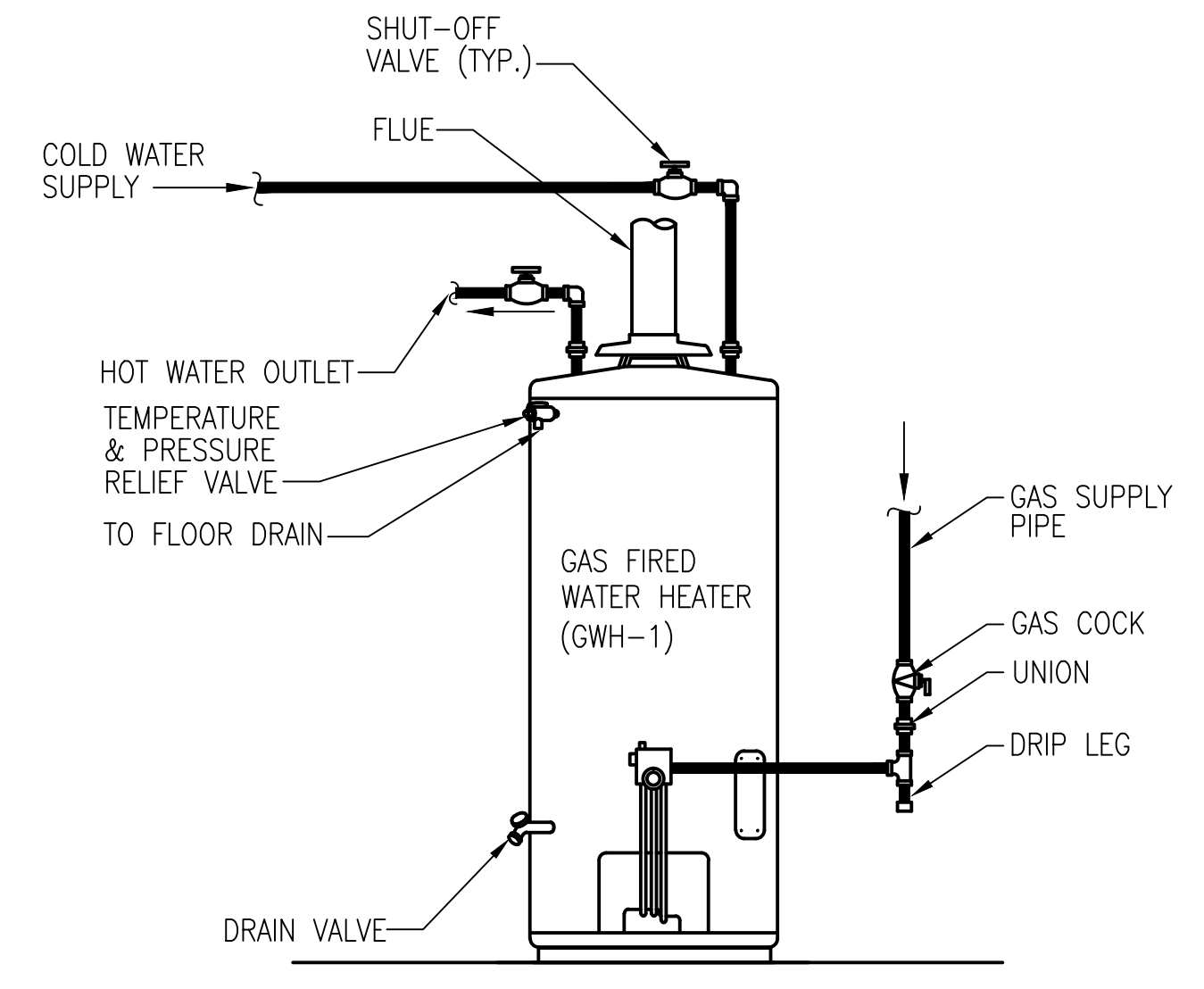
PIPE HANGER TYPICAL DETAIL
NOT TO SCALE



FLOOR DRAIN DETAIL
NOT TO SCALE



PRESSURE REDUCED ZONE BACKFLOW PREVENTER
NOT TO SCALE



GAS WATER HEATER DETAIL
NOT TO SCALE

LEASING OFFICE
CLUB HOUSE
Walker Mill Apartments

1926 Rochelle Avenue
Forestville, Maryland 20747

FEDERAL CAPITAL PARTNERS

5425 Wisconsin Avenue • Suite 202
Chevy Chase MD 20815
240 395 2000

NOVITSKE ARCHITECTS

201 North Fairfax Street • Suite 33
Alexandria VA 22314
703 535 7899 • 703 535 8840 fax



14415 MARINE DRIVE, SILVER SPRING MD. 20905
TEL: (301) 989-9142 FAX: (301) 989-0830
E-MAIL: massoud@ncengineers.com

I CERTIFY THAT THESE DOCUMENTS WERE PREPARED BY OR APPROVED BY ME AND THAT I AM A DULY LICENSED PROFESSIONAL ENGINEER UNDER THE LAWS OF THE STATE OF MARYLAND.
LICENSE NUMBER: 16869,
EXPIRATION DATE: March 25, 2016

graphic scales

project: 21418
phase: Permit
date: 17 April 2015
revisions:

PLUMBING DETAILS