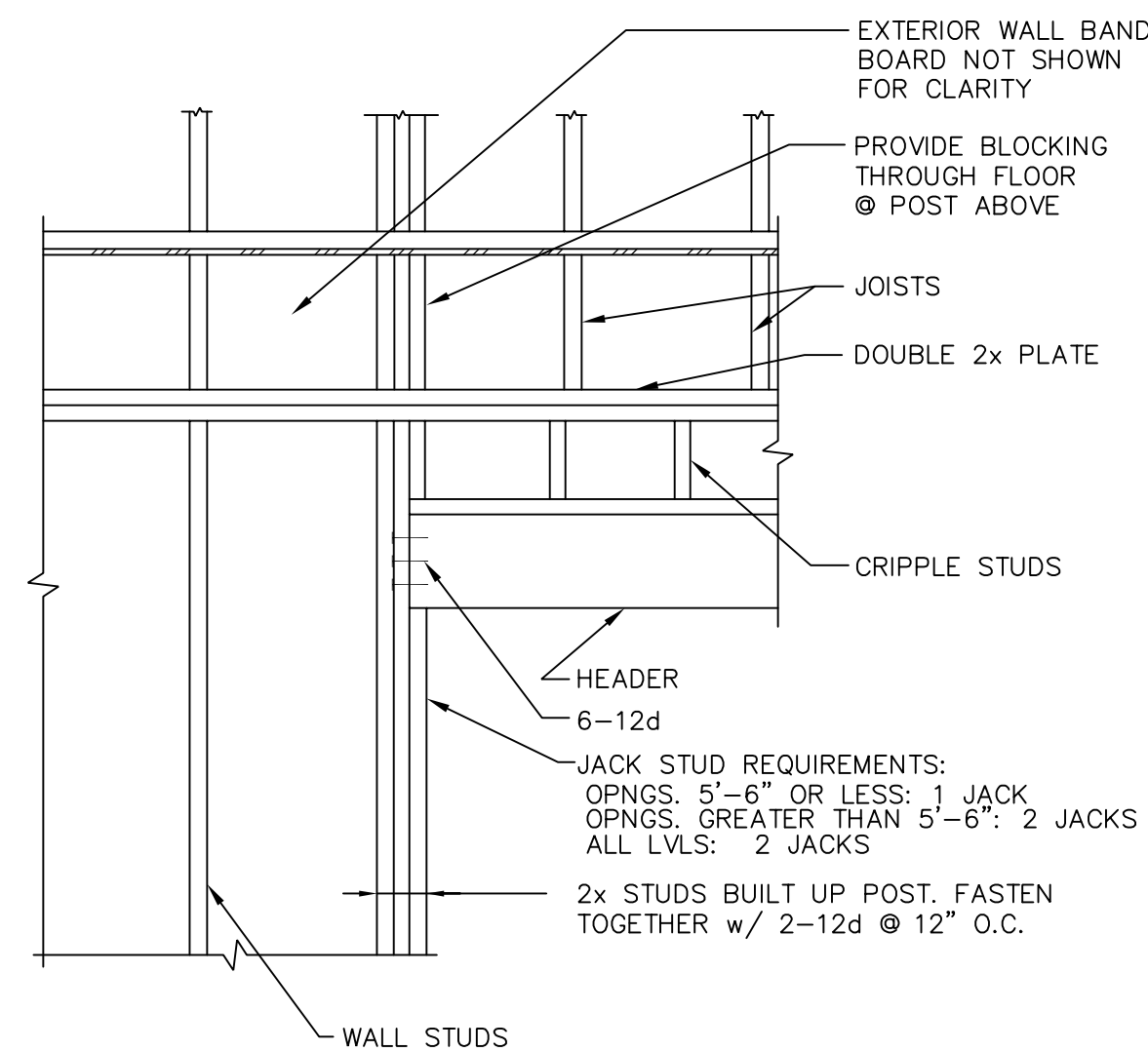


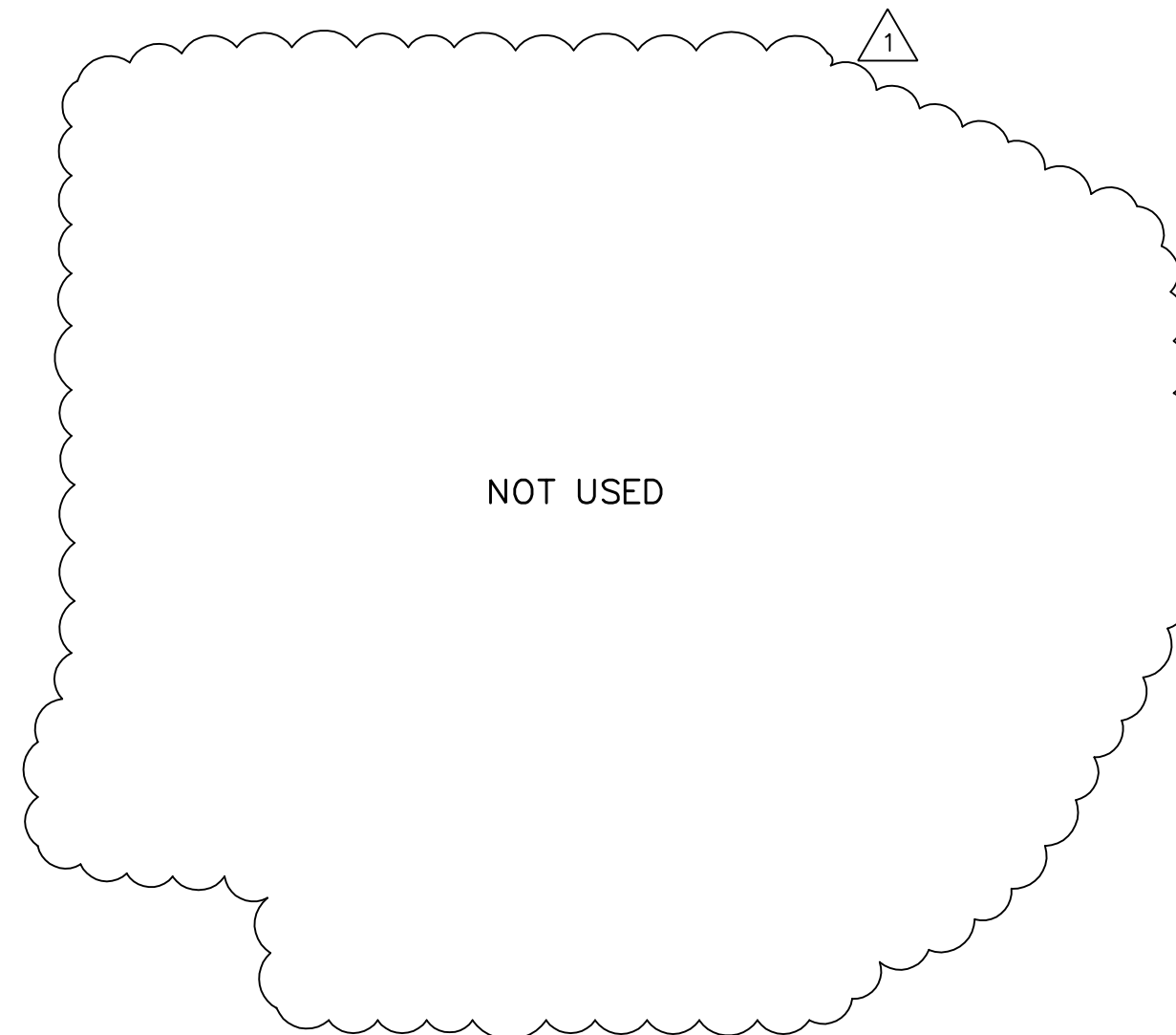
TYPICAL TRUSS TO TOP PLATE

SECTION 3  
SCALE: 3/4" = 1'-0" S6



TYPICAL DROPPED HEADER AT OPENING

SECTION 2  
NOT TO SCALE S6

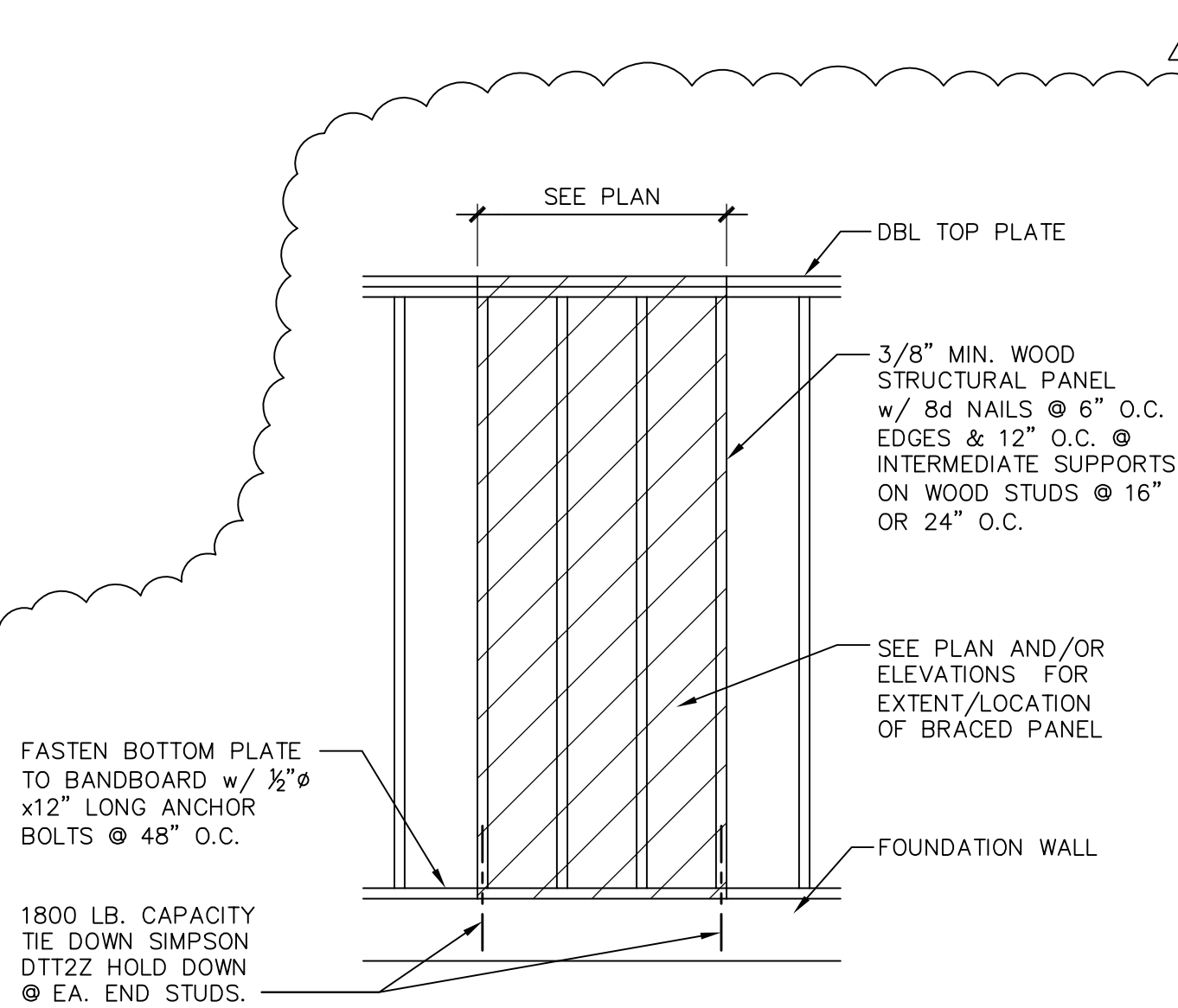


SECTION 1  
NOT TO SCALE S6

COLUMN SCHEDULE	
C-1	2-2x4
C-2	2-2x6
C-3	3-2x4
C-4	3-2x6
C-5	4-2x4
C-6	4-2x6
C-7	5-2x4
C-8	5-2x6
C-9	4x4 POST
C-10	4x6 POST
C-11	6x6 POST
C-12	3"φ ADJUSTABLE STEEL COLUMN
C-13	3"φ STANDARD STEEL PIPE
C-14	4"φ ADJUSTABLE STEEL COLUMN
C-15	4"φ STANDARD STEEL PIPE
C-16	3 1/2"φ ADJUSTABLE STEEL COLUMN
C-17	3 1/2"φ STANDARD STEEL PIPE

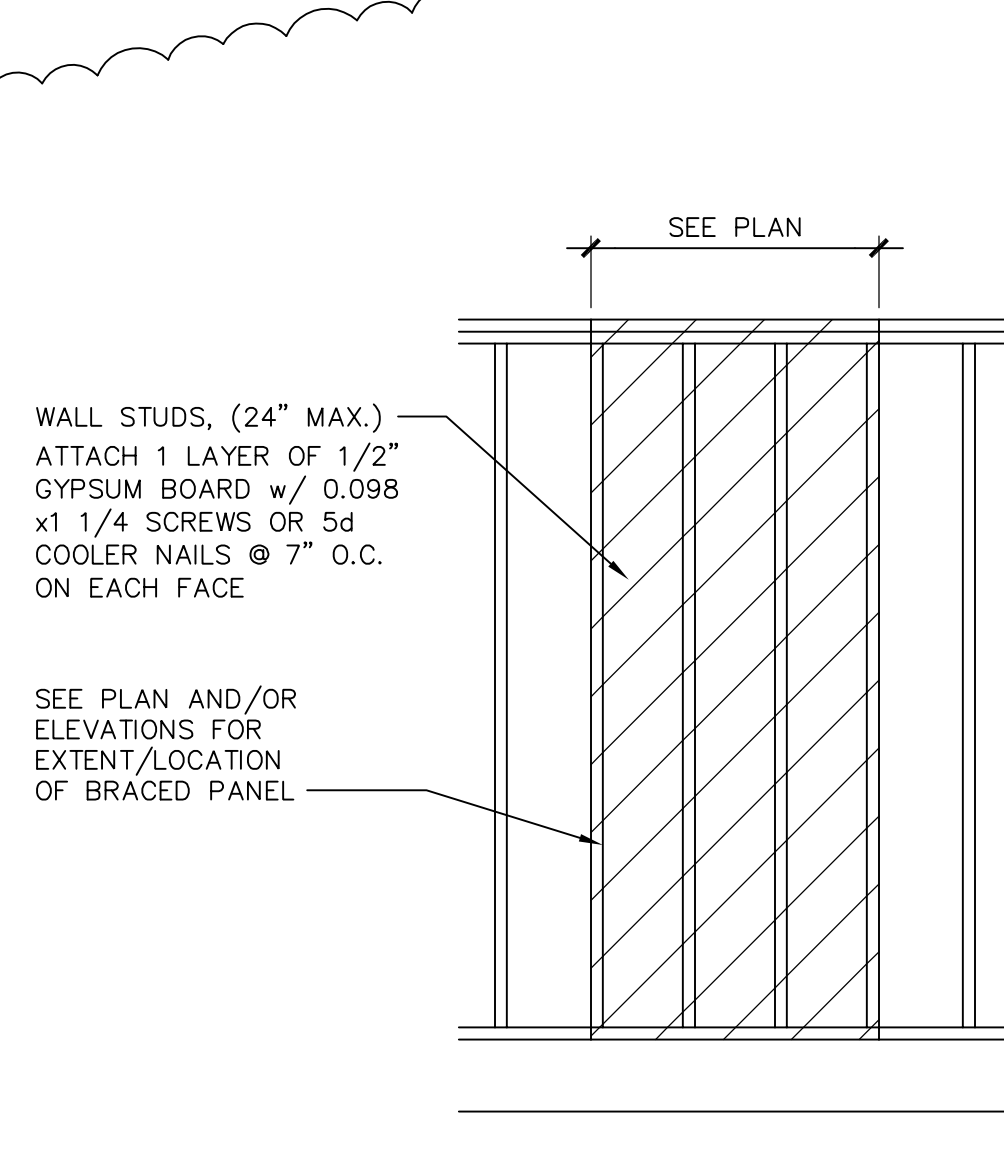
HEADER SCHEDULE	
1	2-2x6
2	3-2x6
3	2-2x8
4	3-2x8
5	2-2x10
6	3-2x10
7	2-2x12
8	3-2x12
9	2-1 3/4"x9 1/2" LVL
10	2-1 3/4"x11 7/8" LVL
11	2-1 3/4"x14" LVL
12	2-1 3/4"x16" LVL
13	2-1 3/4"x18" LVL
14	3-1 3/4"x7 1/4" LVL
15	3-1 3/4"x9 1/2" LVL
16	3-1 3/4"x14" LVL
17	3-1 3/4"x16" LVL
18	2-1 3/4"x9 1/2" LVL w/ 3/8"x9" STL PLATE
19	2-1 3/4"x11 7/8" LVL w/ 5/8"x11" STL PLATE
20	2-1 3/4"x7 1/4" LVL
21	3-1 3/4"x7 1/4" LVL

NOTE:  
PROVIDE DOUBLE STUD @ END OF EACH HEADER UNLESS NOTED OTHERWISE



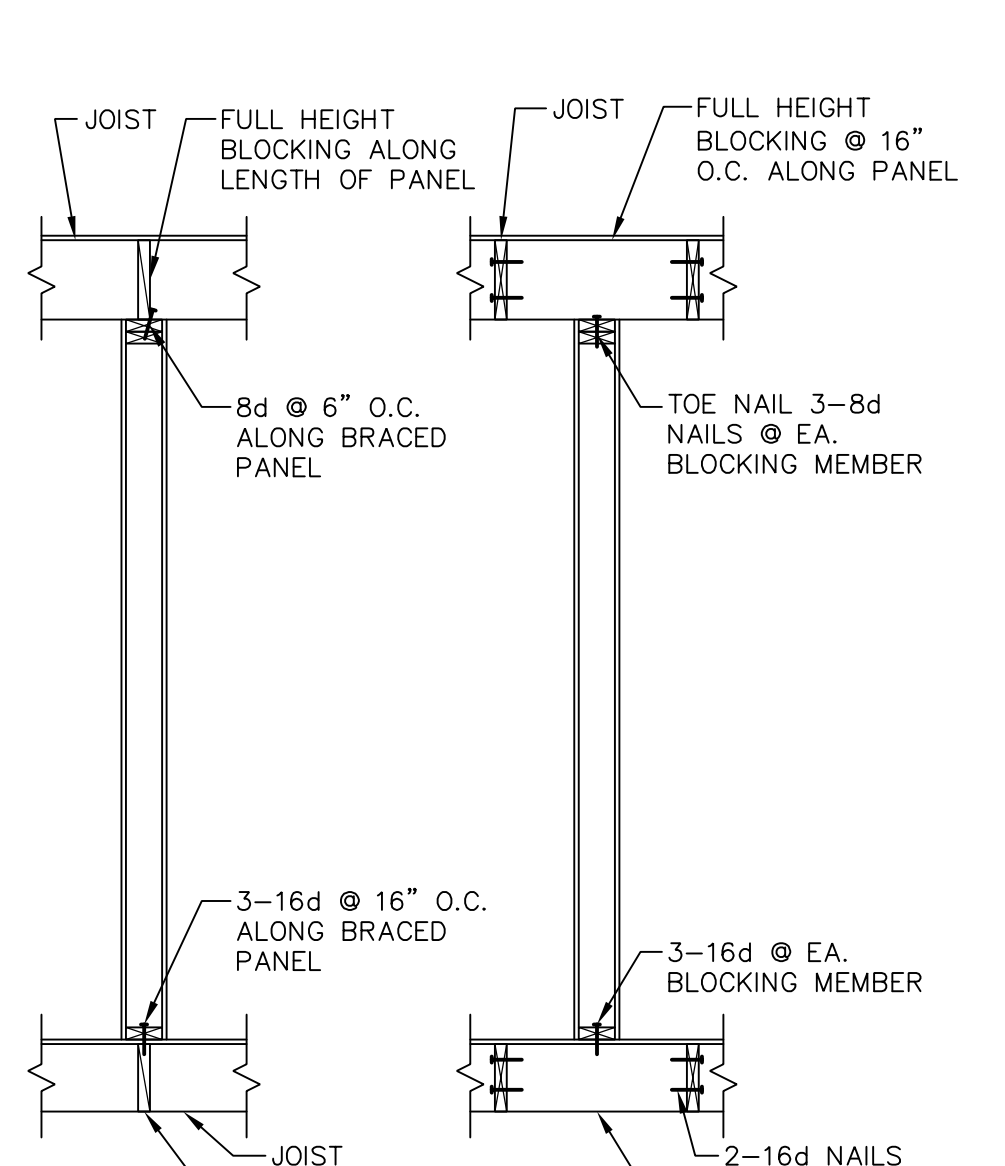
ALTERNATIVE BRACED WALL PANEL ELEVATION

SECTION 7  
NOT TO SCALE S6



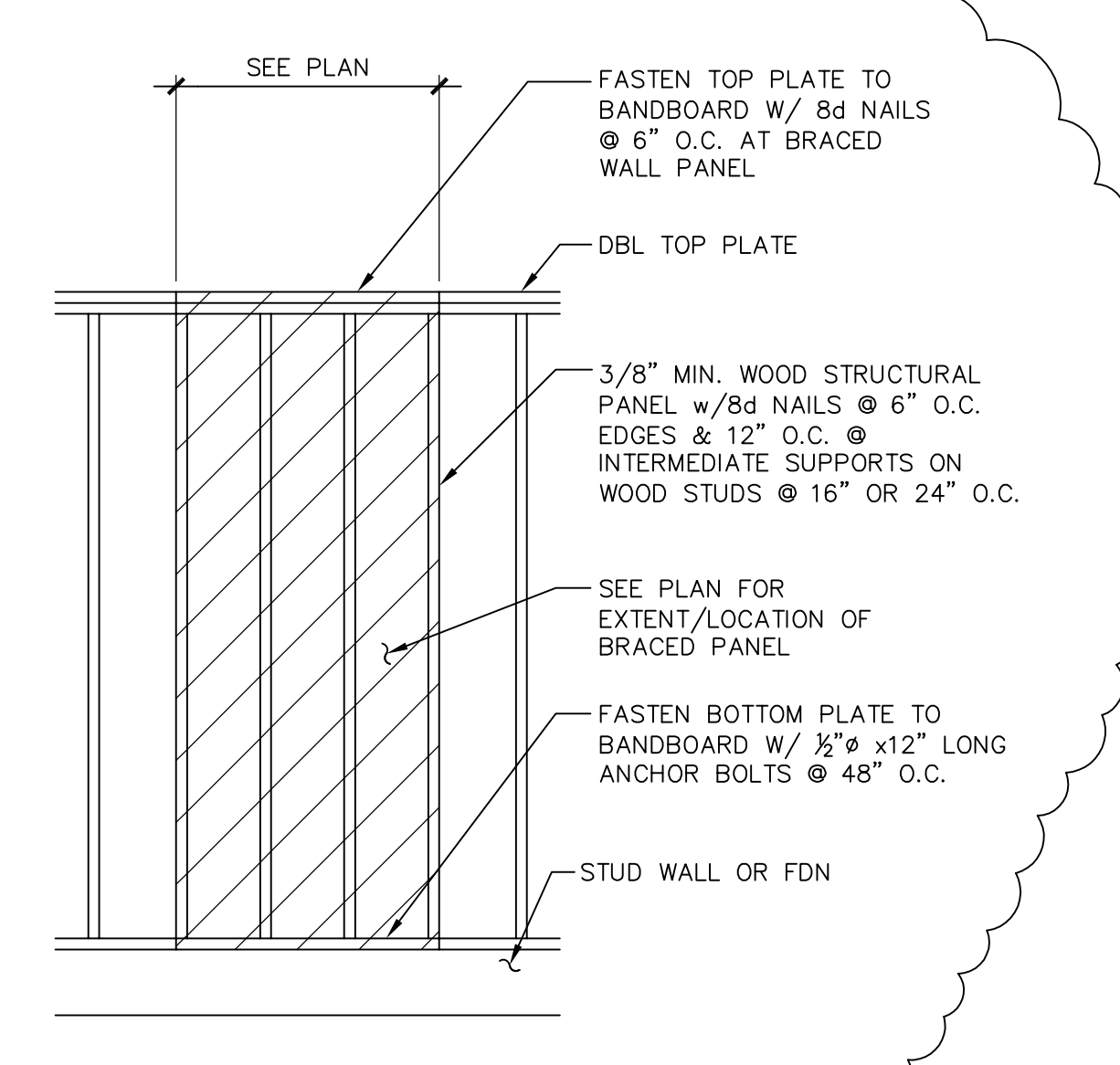
BRACED WALL PANEL ELEVATION (GB)

SECTION 6  
NOT TO SCALE S6



BRACED WALL PANEL ELEVATION (WSP)

SECTION 5  
NOT TO SCALE S6



NOT USED

SECTION 4  
NOT TO SCALE S6

LEASING OFFICE  
CLUB HOUSE  
Walker Mill Apartments

1926 Rochelle Avenue  
District Heights, Maryland 20747

FEDERAL CAPITAL PARTNERS

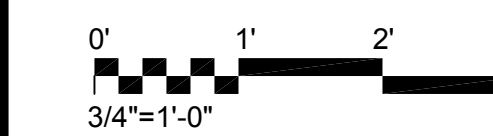
5425 Wisconsin Avenue • Suite 202  
Chevy Chase MD 20815  
240 395 2000

NOVITSKE ARCHITECTS

201 North Fairfax Street • Suite 33  
Alexandria VA 22314  
703 535 7899 • 703 535 8840 fax

EHLERT BRYAN  
consulting structural engineers  
1451 Dolley Madison Blvd. Suite 220  
McLean, VA 22101-3812  
(703) 827-9552  
Fax (703) 356-2031  
www.ehert-bryan.com

graphic scales



Professional Certification. I, Jason B. Sparrow, hereby certify that these documents were prepared or approved by me, and that I am a duly licensed professional engineer under the laws of State of Maryland, License no. 34075, Expiration Date: 02/11/17.

project: 21418  
phase: Permit Revisions  
date: 10 June 2016  
revisions: Reviewer Response 1

SECTIONS

S6

EB#1450158